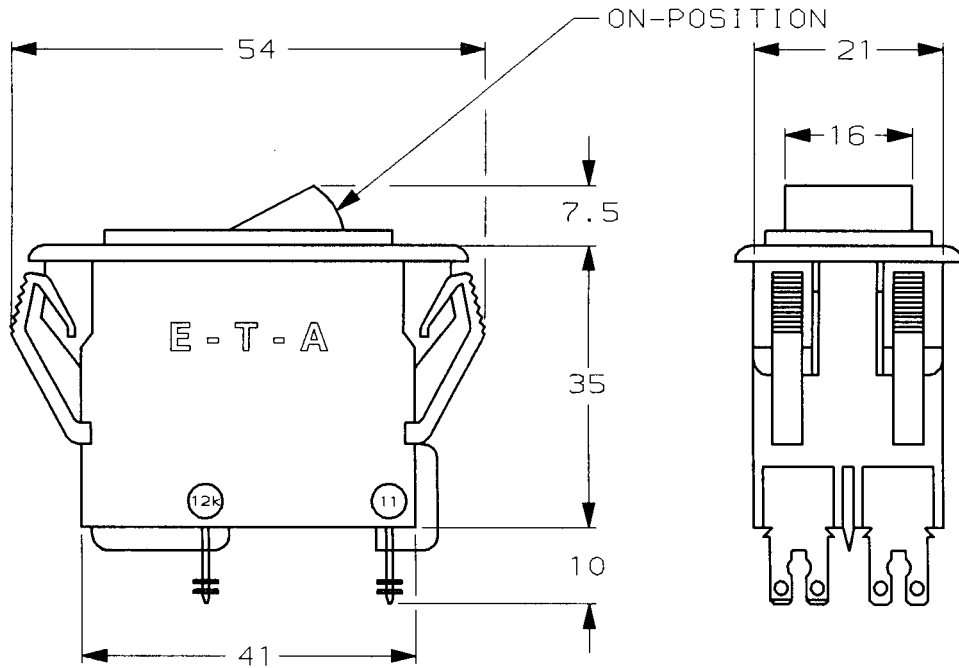


1. PART NUMBER AND CHARACTERISTICS



	TE Part No	Rev	Current Rating	Switch Color	Illuminated Button	Mfr Part No
	992247-1	D	1 A	Red Opaque	No	3120-F321-P7T1-W04L-1A
OBSOLETE	992247-2	E	10 A	Red Opaque	No	3120-F321-P7T1-W04L-10A
	992247-3	D	15 A	Red Opaque	No	3120-F321-P7T1-W04L-15A
	992247-4	B	1 A	White Opaque	No	3120-F321-P7T1-W02L-1A
	992247-5	B	10 A	White Opaque	No	3120-F321-P7T1-W02L-10A
	992247-6	C	5 A	White Translucent	Yes	3120-F321-P7T1-W12DB3-5A
	992247-7	F	3 A	White Opaque	No	3120-F321-P7T1-W02D-3A
	992247-8	F	5 A	White Opaque	No	3120-F321-P7T1-W02D-5A
	992247-9	G	1 A	Black Opaque	No	3120-F321-P7T1-W01D-1A
	1-992247-0	G	5 A	Black Opaque	No	3120-F321-P7T1-W01D-5A
	1-992247-1	G	10 A	Black Opaque	No	3120-F321-P7T1-W01D-10A

- 1.1. All dimensions are nominal unless otherwise specified
 2. RECOMMENDED MANUFACTURER
 E-T-A
www.e-t-a.com
 or Tyco Electronics Engineering approved equivalent.

COMMERCIAL ITEM SPECIFICATION		MATERIAL							
		FINISH							
© 2010 Tyco Electronics Corporation, Harrisburg, PA All International Rights Reserved				DIMENSIONS IN mm	NO	992247	REV G	LOC B	DIST 31
G	Add -9 thru -11	JNB	07APR10	SHEET 1 OF 1		CIRCUIT BREAKER, MAGNETIC, INSTANT TRIP, THERMALLY PROTECTED			
REV	ENGINEERING CHANGE	CHK	DATE						