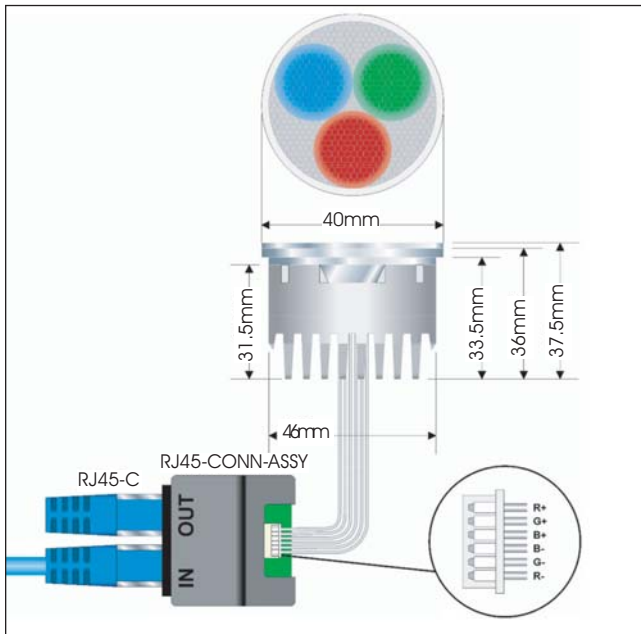




HL16 RGB LED LIGHT ENGINE



Features & Benefits:

- ▷ Ability to create infinite numbers of colors or dynamic color changing effects
- ▷ Easy retrofit to existing MR16 fixtures
- ▷ Sub-lenses included for choice of light distribution
- ▷ Long life of 50,000hrs at 70°C PCB temperature

Dialight's HL16 RGB modules feature individually controllable red, green and blue LEDs complete with heatsink housing. Comparable to a traditional MR16 size, the HL16 RGB modules allow the ability to create infinite numbers of colours with dynamic colour changing effects. The modules can also be easily retrofitted into existing MR16 housings.

Mechanical Information:

Container Dimensions: Diameter = 50.0mm (1.97")
Height = 36.0mm (1.42"), 37.5mm (1.48") with sub lens attached
Lead length = 150mm (5.91)

Container Weight: 94g

Mounting: MR16 type housings (supplied by others)

Electrical specifications:

Operating Temperature: -10°C to +40°C

Drive Current: 350ma

Housing: Die cast heatsink

Lens: Acrylic lens

Photometric Information:

Lumen Output (Typ): Red - 32lm
Blue - 24lm
Green - 42lm

Order Codes:

Part Number	Description
HL16-RGB	LED light Engine

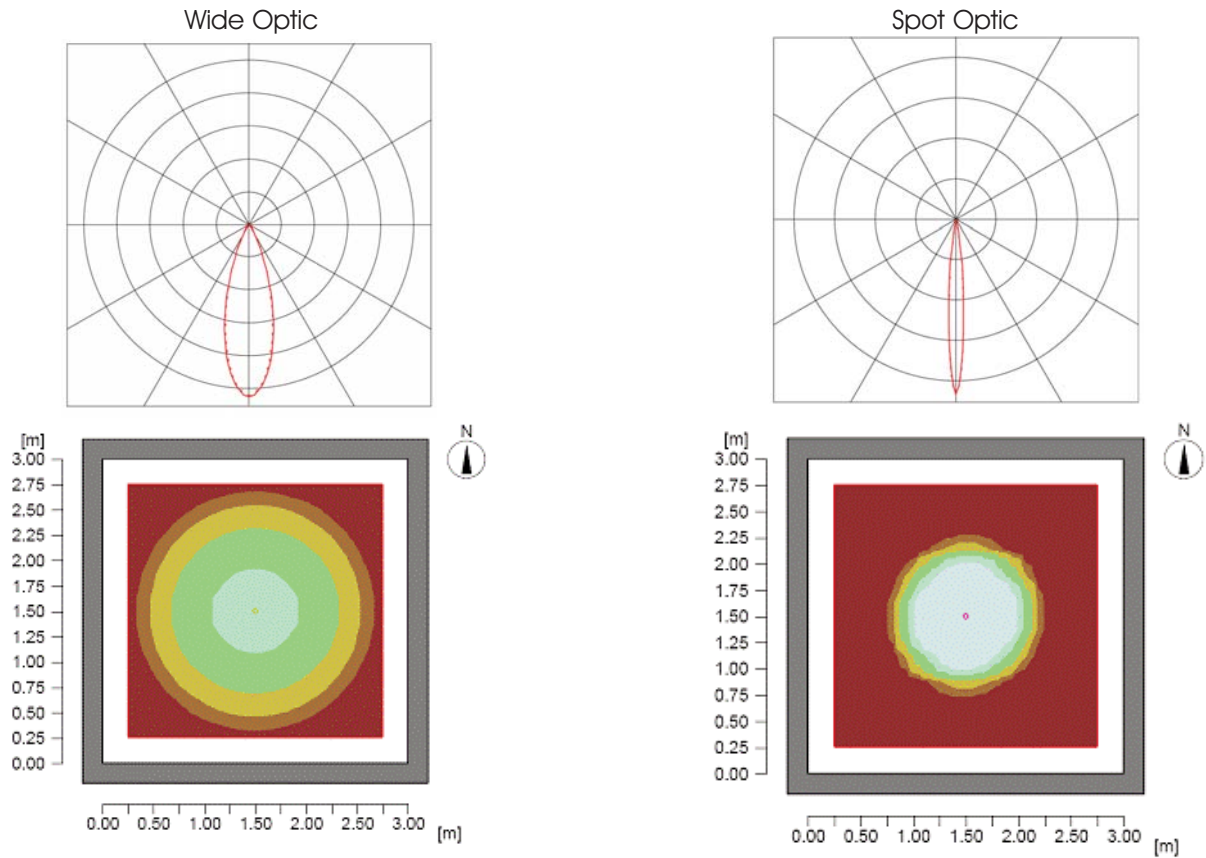
Ordering Codes: Compatible Drivers

Part Number	Description
CDU-L-3-35-DMX	Minimum of 5 and maximum of 12 HL16-RGB modules

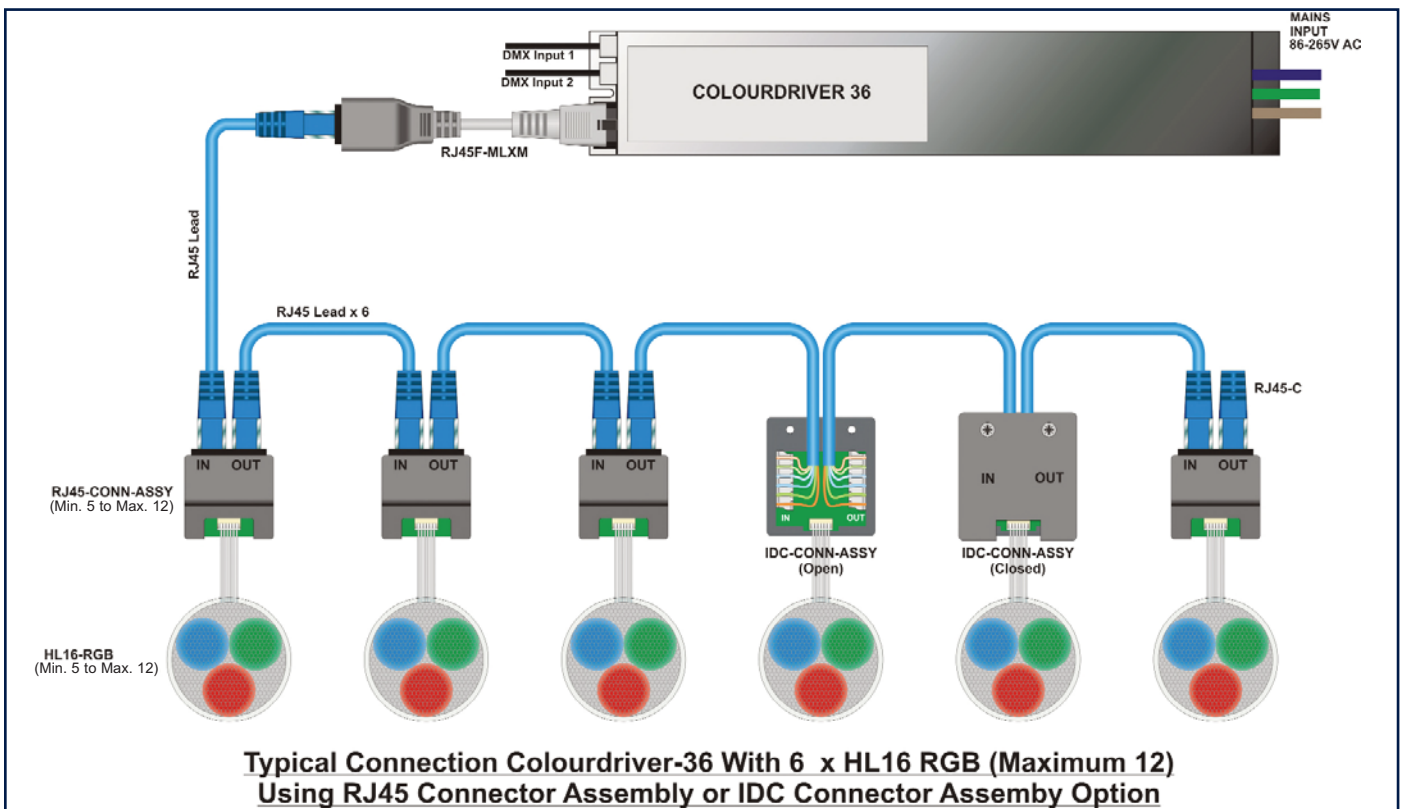
Ordering Codes: Cables and Accessories

Part Numbers	Description
RJ45F-MLXM	Molex to female RJ45 connector (connects to output on CDU-L-3-35-DMX driver)
RJ45-CON-ASSY	RJ45 interface connector (x1 required per HL16-RGB module)
RJ45-C	End Termination
RJ45-2	2 metre RJ45 male to male cable
RJ45-5	5 metre RJ45 male to male cable
RJ45-10	10 metre RJ45 male to male cable

Operating Characteristics



Typical Wiring Examples



Dialight reserves the right to make changes at any time in order to supply the best product possible.
The most current version of this document will always be available at:
www.dialight.com/Assets/Brochures_And_Catalogs/Illumination/MDEXLUMHL16RGB.pdf

MDEXLUMHL16RGB_C