

Customer Information Sheet

DRAWING No.: S70-332002045R

SHEET 2 OF 2

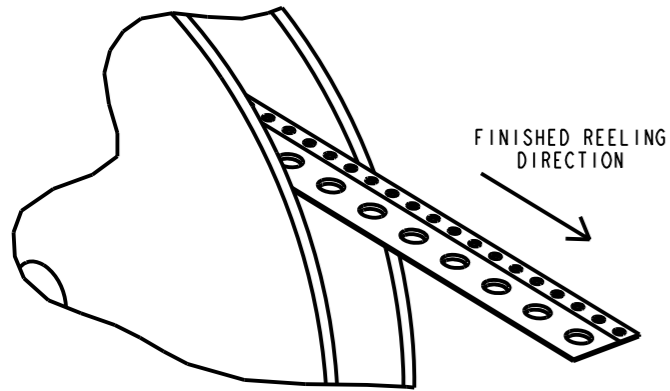
IF IN DOUBT - ASK

©

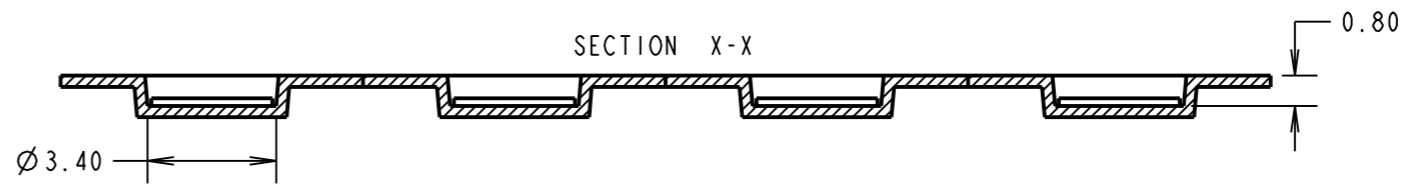
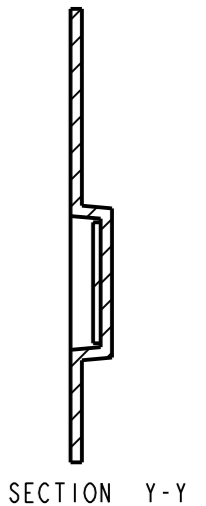
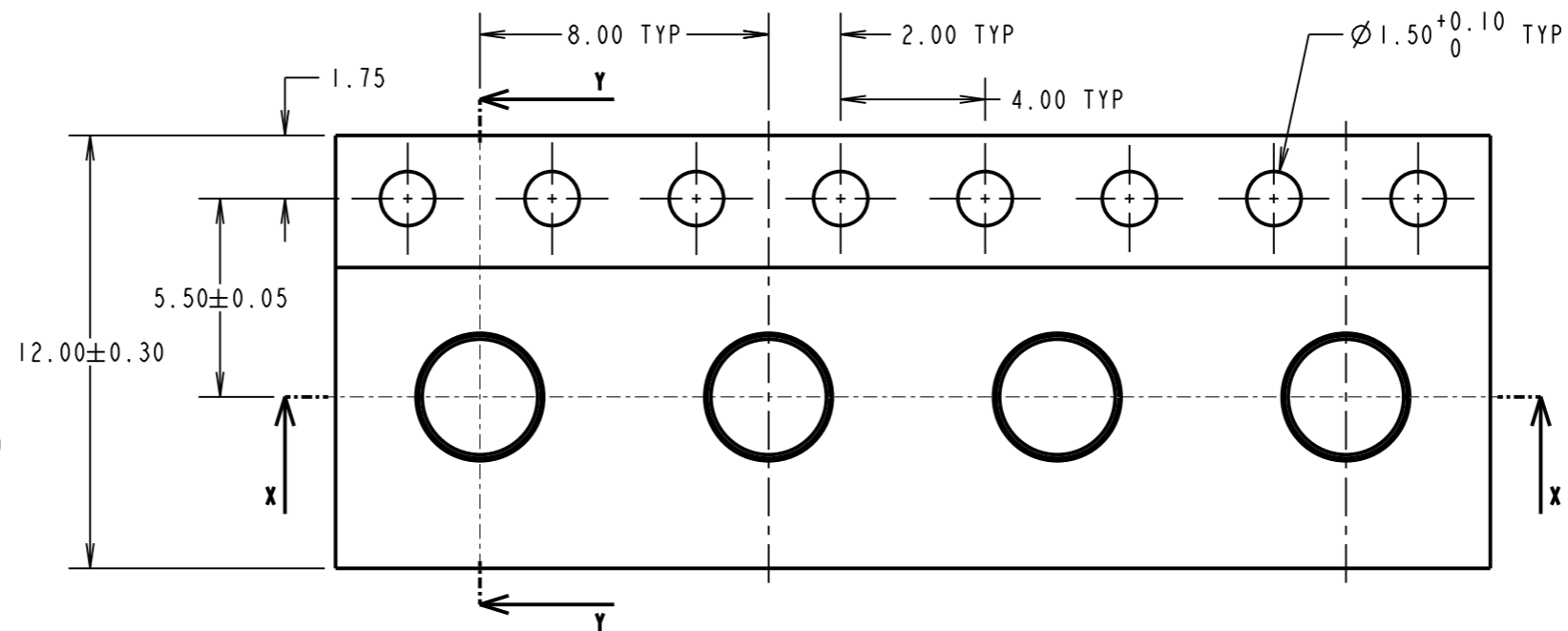
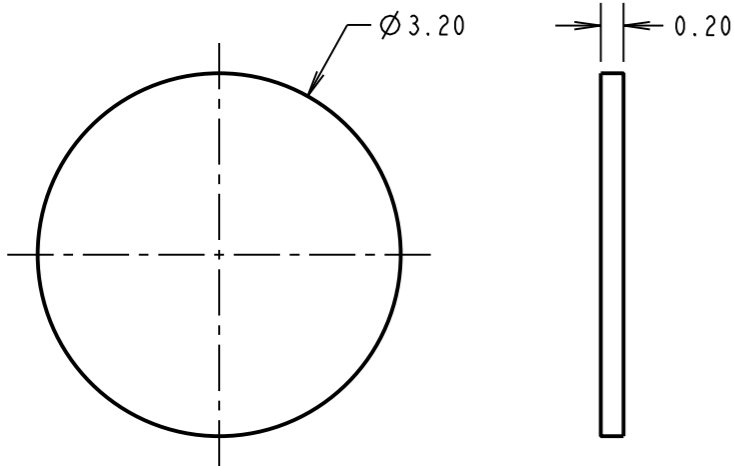
NOT TO SCALE

THIRD ANGLE PROJECTION

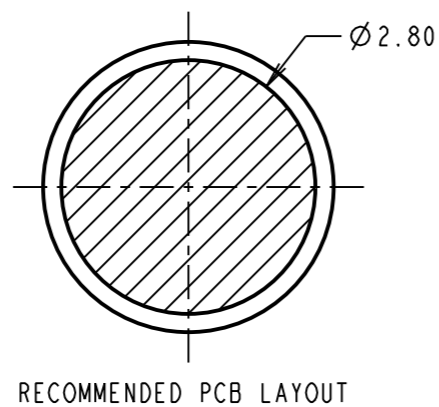
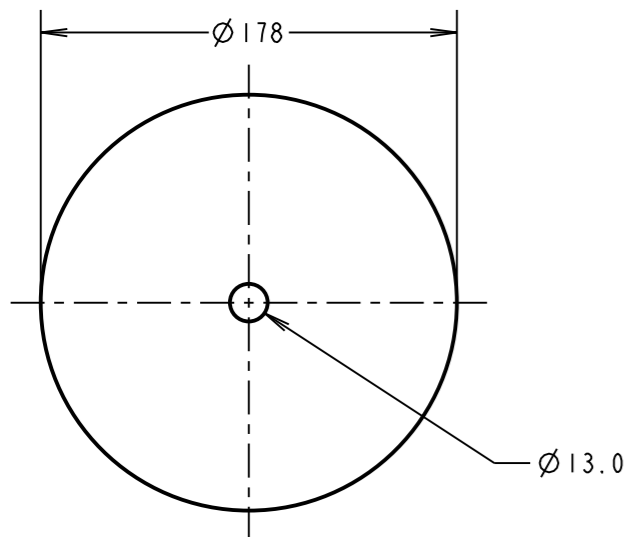
ALL DIMENSIONS IN mm



COMPONENT DETAILS



REEL DETAILS



SPECIFICATIONS:

FINISH:
0.025 μ - 0.075 μ GOLD OVER 1.5 μ - 3.0 μ NICKEL
ELECTRICAL:
CURRENT RATING = 0.5A
CONTACT RESISTANCE = 0.15m Ω MAX
ENVIRONMENTAL:
OPERATING TEMPERATURE = -40°C TO +85°C
PACKING:
QUANTITY: 2000 PER REEL

NOTES:

- QUANTITY OF COMPONENTS PER REEL = 2000.
- PRODUCT IS TAPE AND REELED IN GENERAL ACCORDANCE WITH EIA-481.

MSP	2	19.08.16	20041
NAME	ISS.	DATE	C/NOTE
APPROVED:		M. PERREN	
CHECKED:		S. BENNETT	
DRAWN:		M. PERREN	
CUSTOMER REF.:			
ASSEMBLY DRG:			

HARWIN

www.harwin.com
technical@harwin.com

THIS DRAWING AND ANY INFORMATION OR DESCRIPTIVE MATTER SET OUT HEREON ARE CONFIDENTIAL AND COPYRIGHT PROPERTY OF THE HARWIN GROUP AND MUST NOT BE DISCLOSED, LOANED, COPIED OR USED FOR MANUFACTURING, TENDERING OR FOR ANY OTHER PURPOSE WITHOUT THEIR WRITTEN PERMISSION.

TOLERANCES

X. = ±1mm
X.X = ±0.50mm
X.XX = ±0.10mm
X.XXX = ±0.01mm
ANGLES = ±5°
UNLESS STATED

MATERIAL:

BERYLLIUM COPPER

FINISH: SEE ABOVE

S/AREA: 18.1 mm²

TITLE:

SMT CIRCULAR CONTACT PAD

DRAWING NUMBER:

S70-332002045R

SHT
2 OF 2