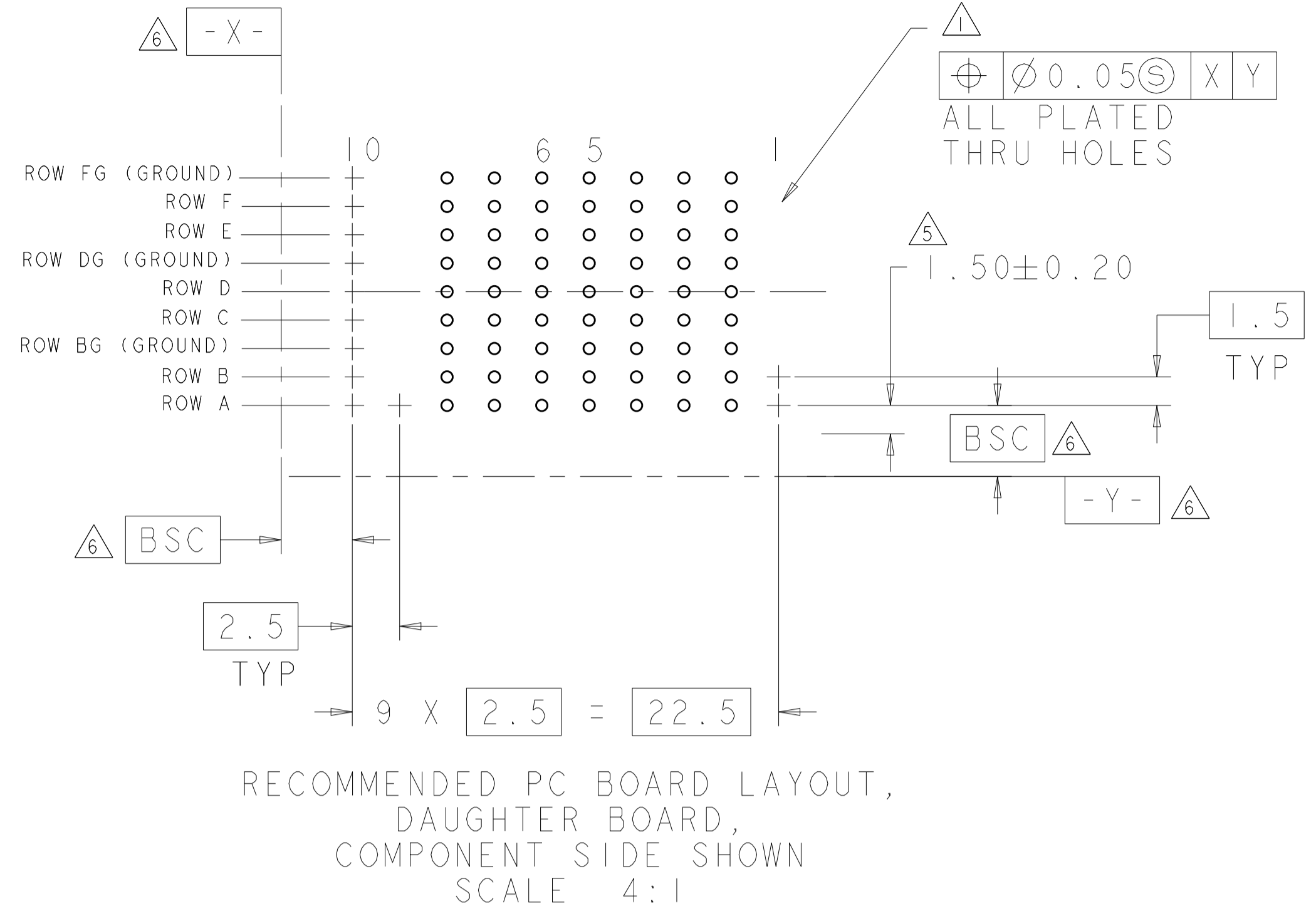
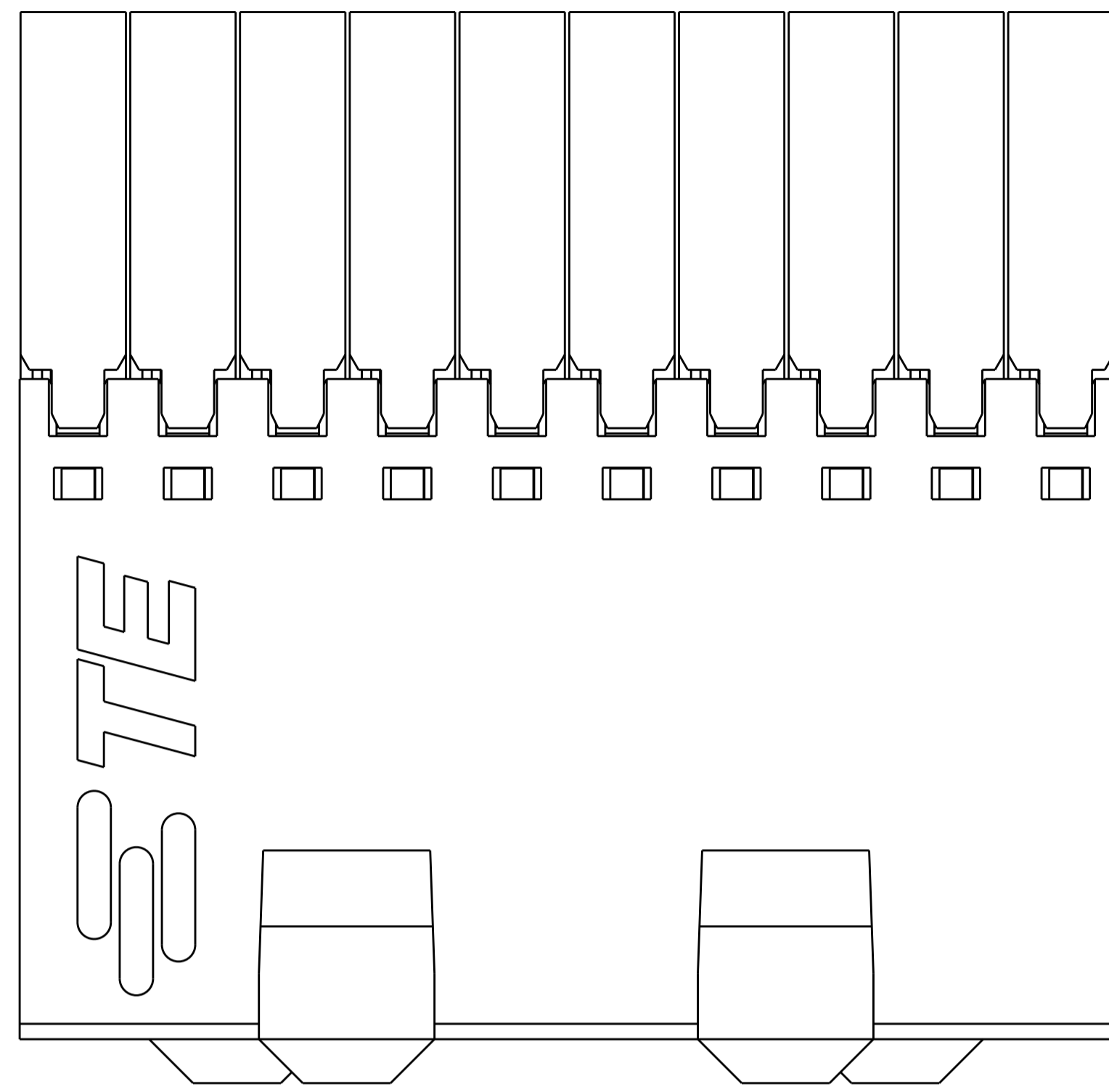
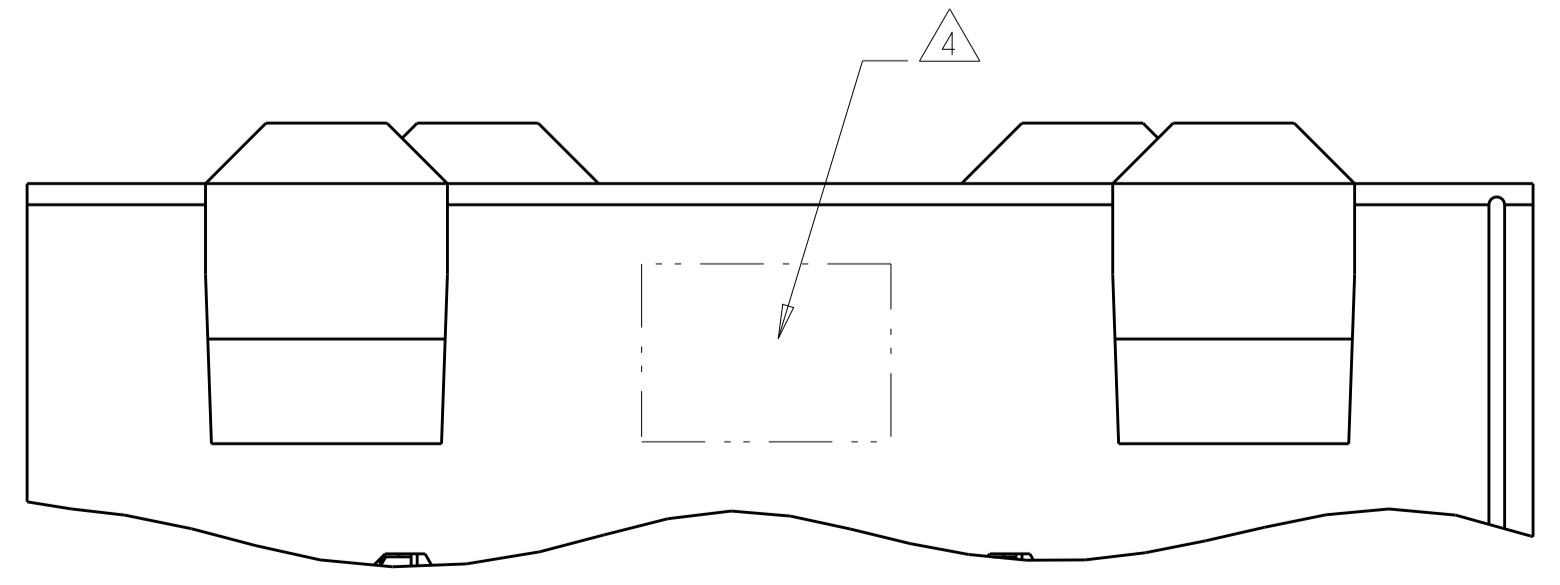
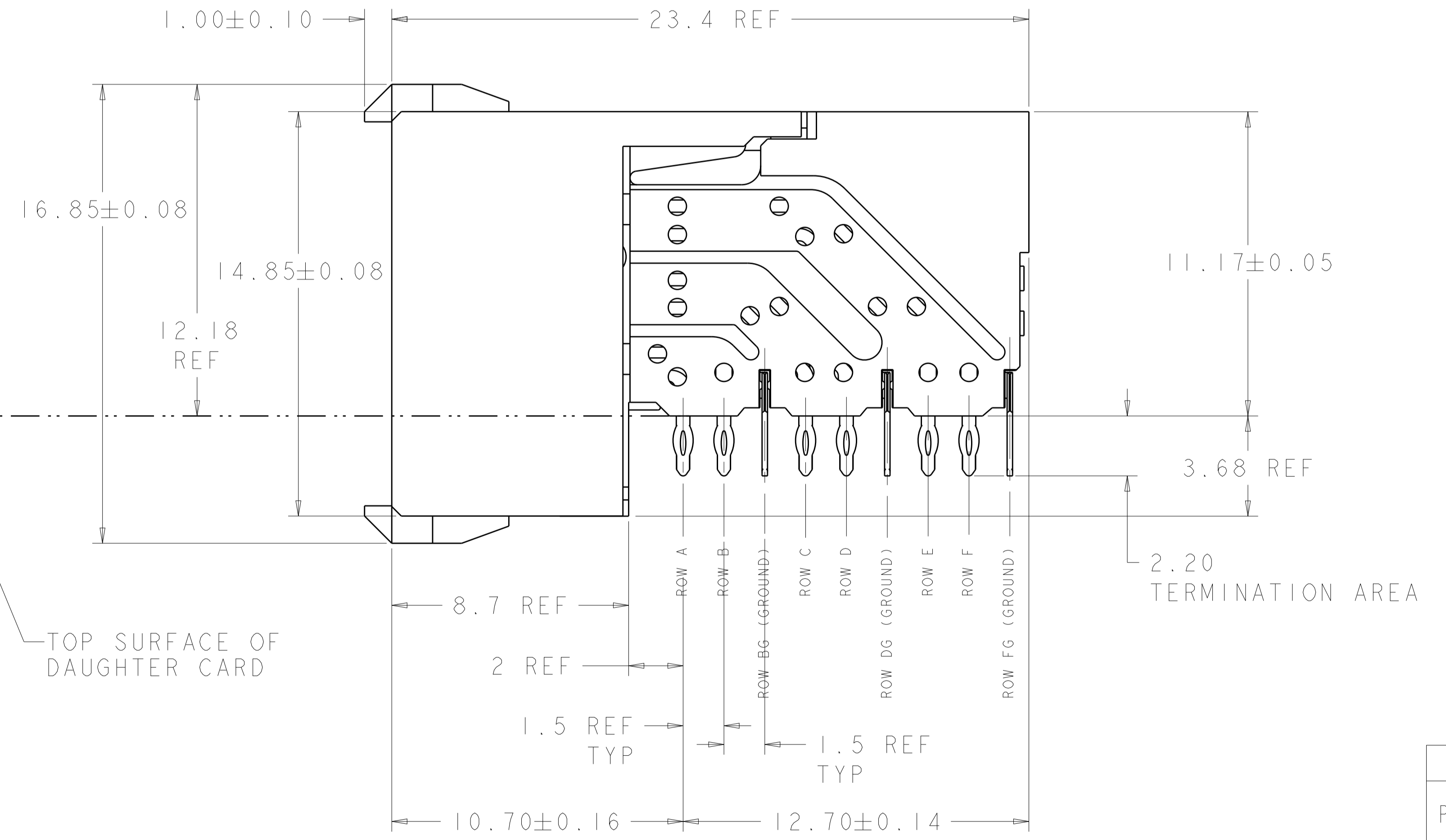
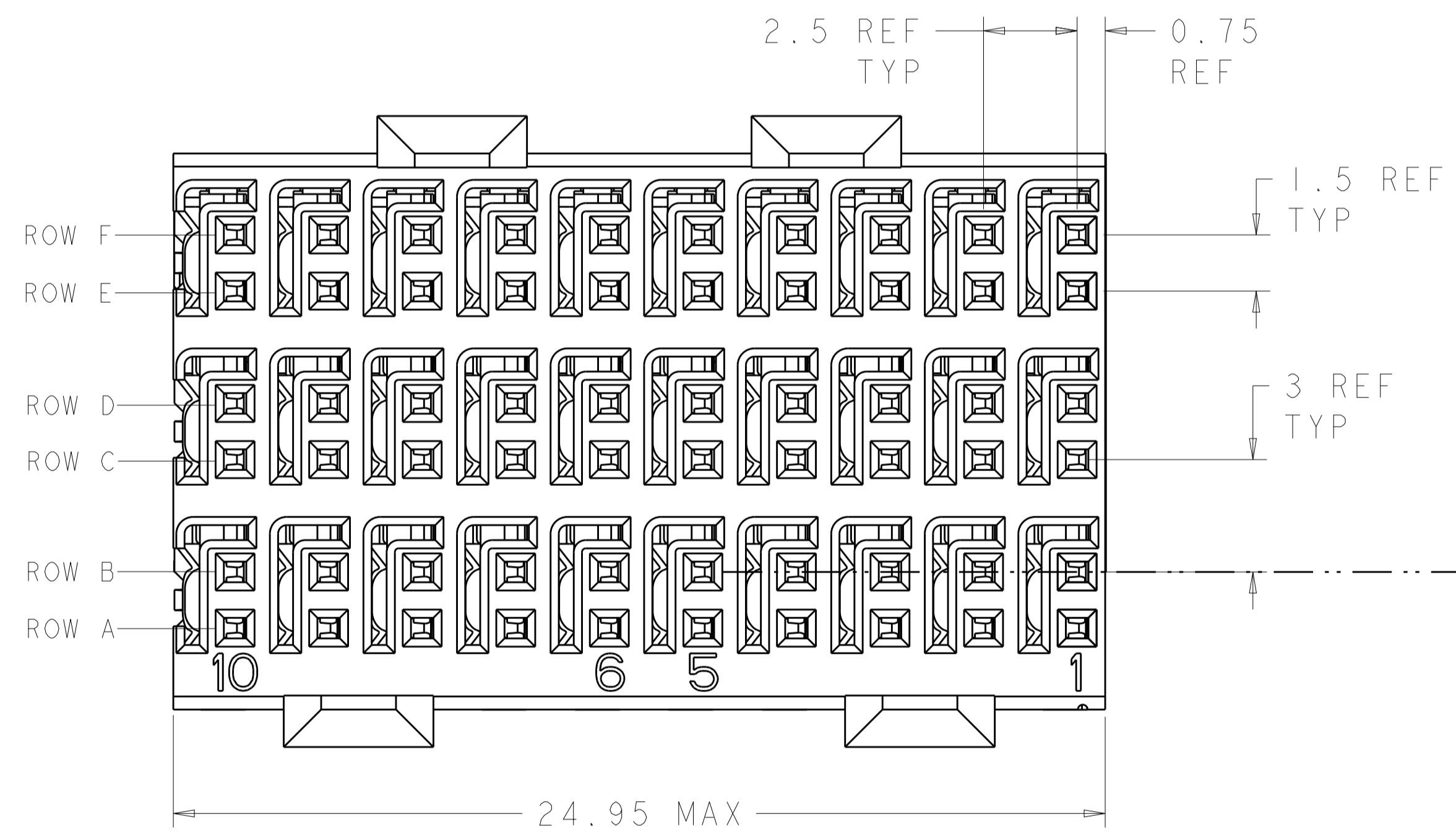


LOC		DIST		REVISIONS				
AD	00	P	LTN	DESCRIPTION	DATE	DWN	APVD	
		C		REV PER ECO-11-007577	13APR2011	RKC	JE	
		D		REVISED PER ECO-17-000271	16JAN2017	AP	RP	



- △ REFERENCE APPLICATION SPEC 114-13059 FOR RECOMMENDED PLATED THRU HOLE DIAMETER AND PLATING THICKNESSES.
- △ MATERIAL:  
 SHIELD - PHOSPHOR BRONZE  
 CONTACT - COPPER-NICKEL-SILICON  
 HOUSING, CHICKLET AND CHICKLET COVER - GLASS FILLED POLYESTER, UL 94V-0 RATED.
- △ FINISH: SIGNAL AND GROUND CONTACTS:  
 MATING AREA: MEETS THE PERFORMANCE REQUIREMENTS OF PRODUCT SPECIFICATION 108-2055; BASED ON TELCORDIA GR-1217-CORE, APPLICATIONS IN UNCONTROLLED ENVIRONMENTS  
 COMPLIANT PIN AREA: 0.5µm MIN MATTE TIN OVER BASE PLATING
- △ CONNECTOR MARKED WITH 6469081-1 AND DATE CODE IN APPROXIMATE AREA SHOWN.
- △ DIMENSION APPLIES TO CENTERLINE OF THRU HOLE
- △ DATUMS AND BASIC DIMENSIONS ESTABLISHED BY CUSTOMER
- 7. CONTACT AREA LUBRICATED WITH BELLCORE APPROVED LUBRICANT. TECHNICAL REFERENCE: GR-1217-CORE, ISSUE 1, NOVEMBER 1995.



1934558-1  
 PART NUMBER

THIS DRAWING IS A CONTROLLED DOCUMENT.		DWN	B. CARBO	05OCT2007
DIMENSIONS:		CHK	R. PATTERSON	05OCT2007
mm	0 PLC	APVD	R. PATTERSON	05OCT2007
	1 PLC	NAME		
	2 PLC	RECEPTACLE ASSEMBLY, 3 PAIR, 25mm, HMZd		
	3 PLC	PRODUCT SPEC		
	4 PLC	APPLICATION SPEC		
	ANGLES	SIZE CAGE CODE DRAWING NO RESTRICTED TO		
MATERIAL	FINISH	WEIGHT	A100779C=1934558	
		CUSTOMER DRAWING	SCALE 8:1	SHEET 1 OF 1 REV D