

THIS DRAWING IS UNPUBLISHED.

RELEASED FOR PUBLICATION

20

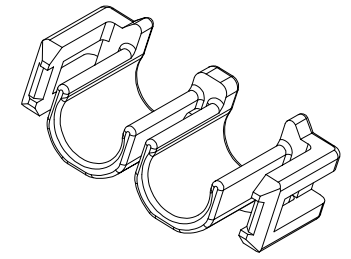
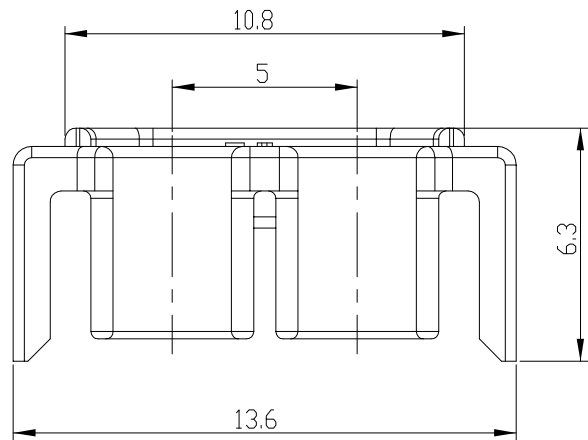
© COPYRIGHT 20

BY -

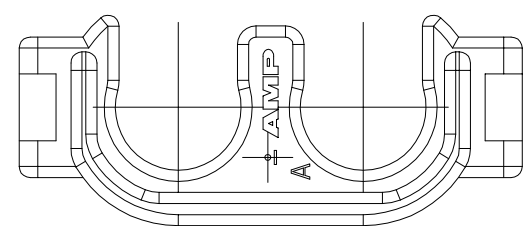
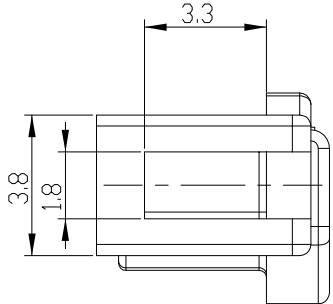
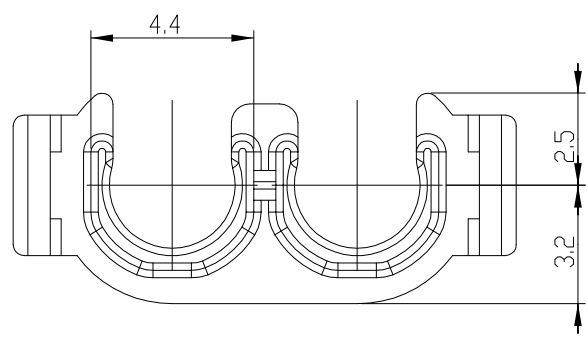
ALL RIGHTS RESERVED.

REVISIONS

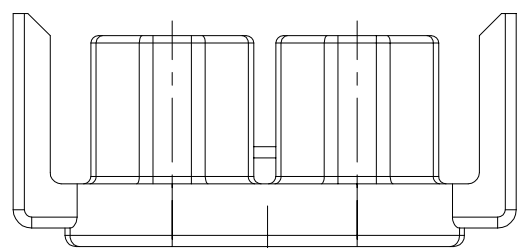
P	LTR	DESCRIPTION	DATE	DWN	APVD
	□	RELEASED(FC00-0109-01)	11.OCT.'01	HS	CS
	A	REVISED (ECR-07-007867)	24.APR.'07	IS	JK
	A1	REVISED (ECR-15-010973)	23.JUL.'15	JM	HG
	A2	REVISED (ECR-16-005448)	30.MAY.'16	JS	KT



SCALE 3:1



DBL CODING	TYPE A	<p>SCALE 4:1</p>	<p>SCALE 4:1</p>
	Ⓡ TYPE B	<p>SCALE 4:1</p>	<p>SCALE 4:1</p>



NOTE

- 1. APPLICABLE PLUG HSG P/N : 936059, 2005388
- 2. GENERAL TOLERANCE : ± 0.3 , $\pm 3^\circ$

TYPE	COLOR	MATERIAL	PART NO.
B	GRAY	PBT	1-936103-3
A	GRAY	PBT	0-936103-3
A	BLACK	PBT	0-936103-2
A	YELLOW	PBT	0-936103-1

THIS DRAWING IS A CONTROLLED DOCUMENT.		DWN JS KIM	TE Connectivity															
DIMENSIONS: mm		CHK DG JEONG																
TOLERANCES UNLESS OTHERWISE SPECIFIED:		APVD KT LIM	NAME DBL HSG FOR 2.8mm SEALED 2P PLUG ASSY															
<table border="1"> <tr> <td>0 PLC</td> <td>\pm</td> </tr> <tr> <td>1 PLC</td> <td>\pm</td> </tr> <tr> <td>2 PLC</td> <td>\pm</td> </tr> <tr> <td>3 PLC</td> <td>\pm</td> </tr> <tr> <td>4 PLC</td> <td>\pm</td> </tr> <tr> <td>ANGLES</td> <td>\pm</td> </tr> </table>		0 PLC	\pm	1 PLC	\pm	2 PLC	\pm	3 PLC	\pm	4 PLC	\pm	ANGLES	\pm	PRODUCT SPEC -	SIZE A3	CAGE CODE 00779	DRAWING NO C-936103	RESTRICTED TO -
0 PLC	\pm																	
1 PLC	\pm																	
2 PLC	\pm																	
3 PLC	\pm																	
4 PLC	\pm																	
ANGLES	\pm																	
MATERIAL SEE TABLE		FINISH -	APPLICATION SPEC -	WEIGHT -	CUSTOMER DRAWING													
			SCALE 5:1	SHEET 1 OF 1	REV A2													