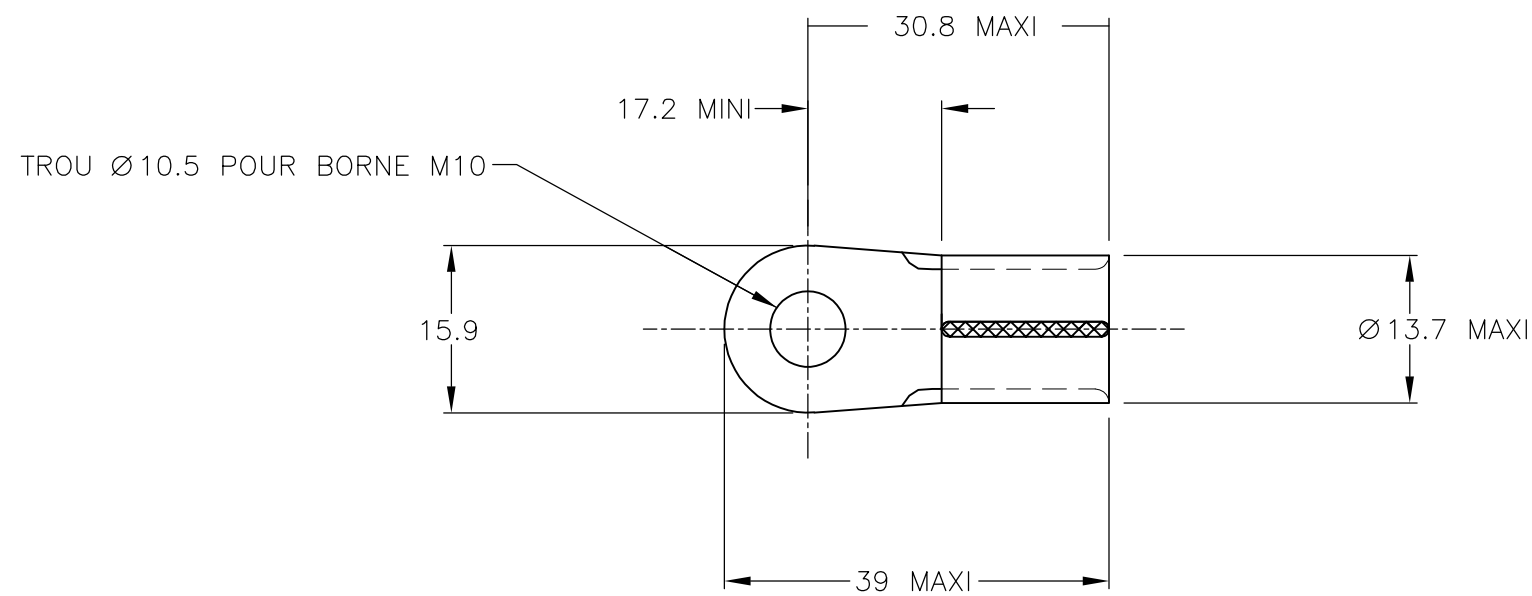



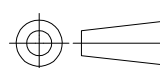
THIS DRAWING IS UNPUBLISHED. RELEASED FOR PUBLICATION
 © COPYRIGHT - By - ALL RIGHTS RESERVED.

LOC	DIST	REVISIONS			
P	LTR	DESCRIPTION	DATE	DWN	APVD
F	-	B1	REVISED PER ECO-15-006978	06JUN2015	NK MM



REFERENCE : 132072-2

THICKNESS 1.8

PLAN FACT CAD NOT TO CHANGE LAYER	THIS DRAWING IS A CONTROLLED DOCUMENT.		DWN	G.ROBERT	10/10/90	 TE Connectivity							
	DIMENSIONS: mm		TOLERANCES UNLESS OTHERWISE SPECIFIED:						CHK	-			
WIRE RANGE 2 AWG	MATERIAL COPPER		0 PLC ± - 1 PLC ± - 2 PLC ± 0.3 3 PLC ± - 4 PLC ± - ANGLES ± 5°			APVD	-	NAME TERMINAL STRATO-THERM RING TONGUE					
			FINISH		NICKEL		PRODUCT SPEC			-			
				APPLICATION SPEC	-	SIZE	A3	CAGE CODE	00779	DRAWING NO	C-132072	RESTRICTED TO	-
				CUSTOMER DRAWING	SCALE		2:1	SHEET	1 OF 1	REV	B1		