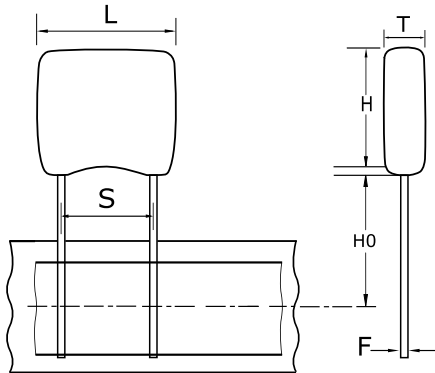


GoldMax 300 Auto X8R HT150C, Ceramic, 0.1 uF, 5%, 200 VDC, X8R, GoldMax, Automotive Grade, Lead Spacing = 5.08mm



**Dimensions**

<b>L</b>	7.11mm MAX
<b>H</b>	9.14mm MAX
<b>T</b>	4.07mm MAX
<b>S</b>	5.08mm +/-0.78mm
<b>H0</b>	16mm +/-0.5mm
<b>F</b>	0.51mm +0.1/-0.025mm

**Packaging Specifications**

<b>Packaging:</b>	T&R, 305mm
<b>Packaging Quantity:</b>	1500

**General Information**

<b>Supplier:</b>	KEMET
<b>Series:</b>	GoldMax 300 Auto X8R HT150C
<b>Style:</b>	Radial
<b>Description:</b>	GoldMax, Automotive Grade
<b>Features:</b>	Automotive Grade
<b>RoHS:</b>	Yes
<b>Termination:</b>	Tin
<b>Failure Rate:</b>	N/A
<b>Qualifications:</b>	AEC-Q200
<b>AEC-Q200:</b>	Yes
<b>Halogen Free:</b>	Yes

**Specifications**

<b>Capacitance:</b>	0.1 uF
<b>Capacitance Tolerance:</b>	5%
<b>Voltage DC:</b>	200 VDC
<b>Dielectric Withstanding Voltage:</b>	500 V
<b>Temperature Range:</b>	-55/+150C
<b>Temperature Coefficient:</b>	X8R
<b>Dissipation Factor:</b>	2.50% 25C
<b>Aging Rate:</b>	0% Loss/Decade Hour
<b>Insulation Resistance:</b>	10 GOhms