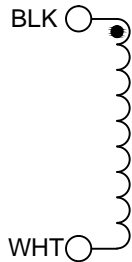


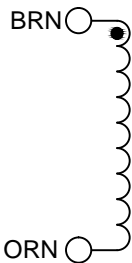
**PRIMARY**

**SECONDARY**

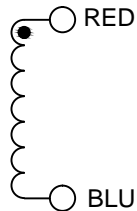
PRIMARY #1  
117V 50/60Hz



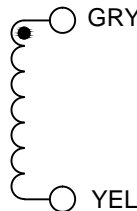
PRIMARY #2  
117V 50/60Hz



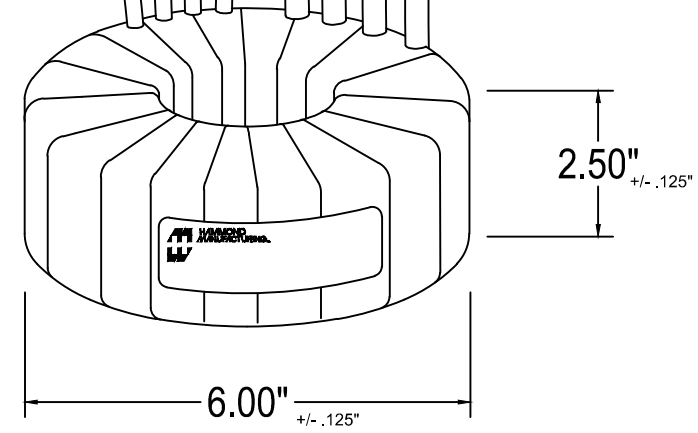
SECONDARY #1  
24V @ 13.02Amps



SECONDARY #2  
24V @ 13.02Amps



PRIMARY LEADS ARE #18 TEW  
SECONDARY LEADS ARE #12 TEW  
ALL LEADS OUT 8"-9" AND STRIPPED 0.5" MIN.  
WEIGHT: 10.80Lbs +/- 4%



**HAMMOND MANUFACTURING**  
**1182T24**  
 50/60Hz VA:625  
 PRI: 2x 117V BLK-WHT, BRN-ORN  
 SEC: 2x 24V @ 13.02A RED-BLU, GRY-YEL  
 1A0625A000C024024  
 MADE IN CANADA DATE PB  
 RoHS Compliant  
 CE, UL, and other certification marks.

SUPPLIED WITH: TWO 0.093" T X 4.75" OD RUBBER WASHERS.  
 ONE 16GA X 4.30" OD STEEL MOUNTING WASHER.  
 ONE 1/4-20 BOLT 3.00" LONG WITH A LOCK WASHER AND 1/4-20 HEX NUT.

ELECTRICAL DATA:		
TESTS	CONDITIONS	ACCEPTANCE CRITERIA
Sec. N.L.V	@ 117V, 60Hz	
	BLK & BRN to WHT & ORN	
OR	@ 234V, 50Hz	
	BLK to ORN (Connect BRN & WHT)	
	RED - BLU	24.79 V ±2%
	GRY - YEL	24.79 V ±2%
POLARITY	BLK, BRN, RED and GRY.	ADDITIVE
DCR	BLK - WHT	0.680 Ohms ±20%
IN OHMS	BRN - ORN	0.680 Ohms ±20%
	RED - BLU	0.040 Ohms ±20%
	GRY - YEL	0.040 Ohms ±20%
HI POT	PRIMARY - SECONDARY	4000V, 60Hz, 1 SEC
	PRIMARY - PRIMARY	600V, 60Hz, 1 SEC
	SECONDARY - SECONDARY	600V, 60Hz, 1 SEC

PROPERTY AND COPYRIGHT NOTICE  
 THIS DRAWING AND THE INFORMATION IT CONVEYS ARE THE PROPERTY OF HAMMOND MANUFACTURING. IT MAY NOT BE REPRODUCED, TRANSMITTED OR USED IN ANY MANNER WHATSOEVER WITHOUT THE WRITTEN PERMISSION OF HAMMOND MANUFACTURING.

REV	NOTES	BY	DATE

**HAMMOND MANUFACTURING**  
 ELECTRONIC DIVISION  
 52 RANKIN PLACE,  
 WATERLOO, ONTARIO, N2J 3Z5  
 PHONE: 519.886.6181 FAX: 519.886.9540

**TOROID POWER TRANSFORMER**

DRAWN G. GRAY	DATE 21/03/2014	NUMBER <b>1182T24</b>
APPROVED	DATE	