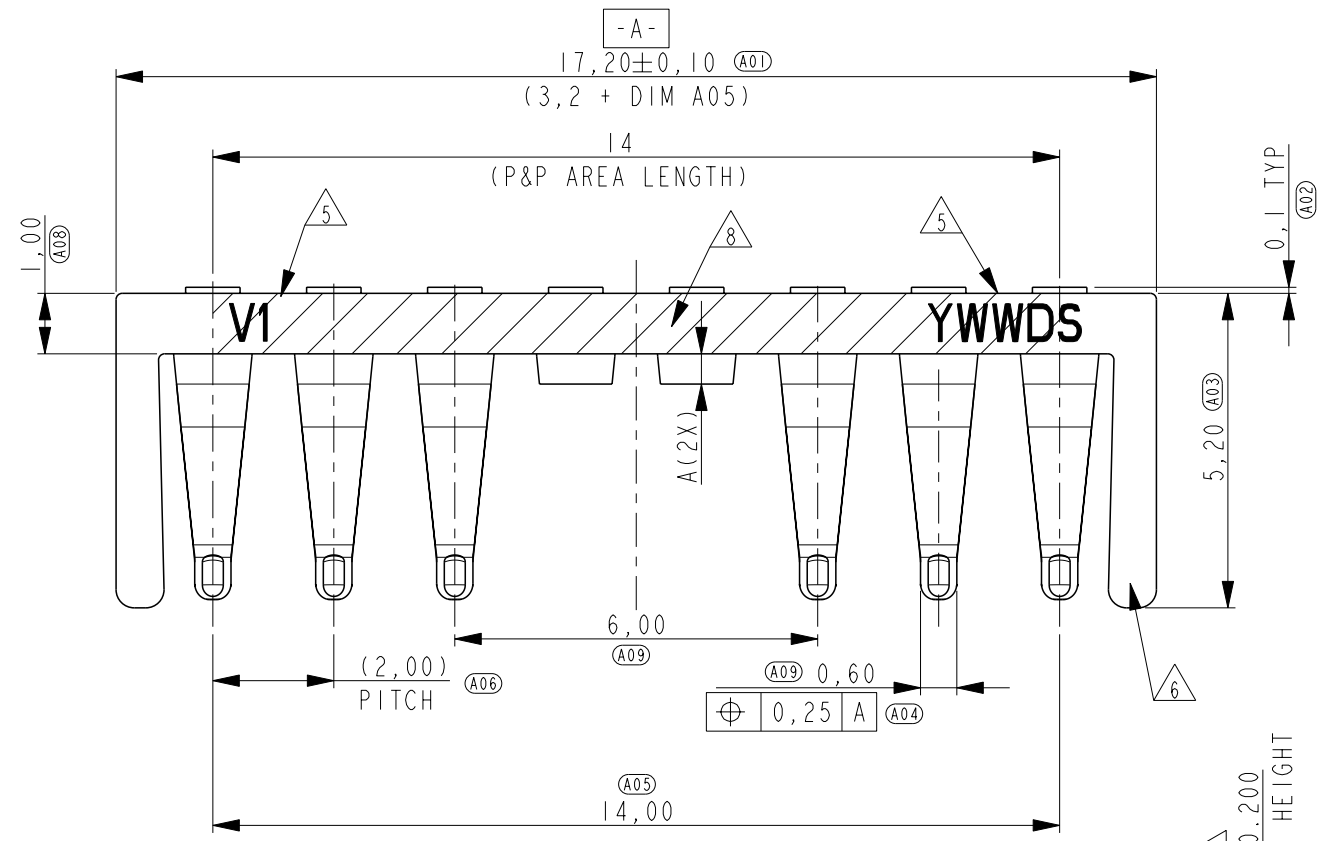
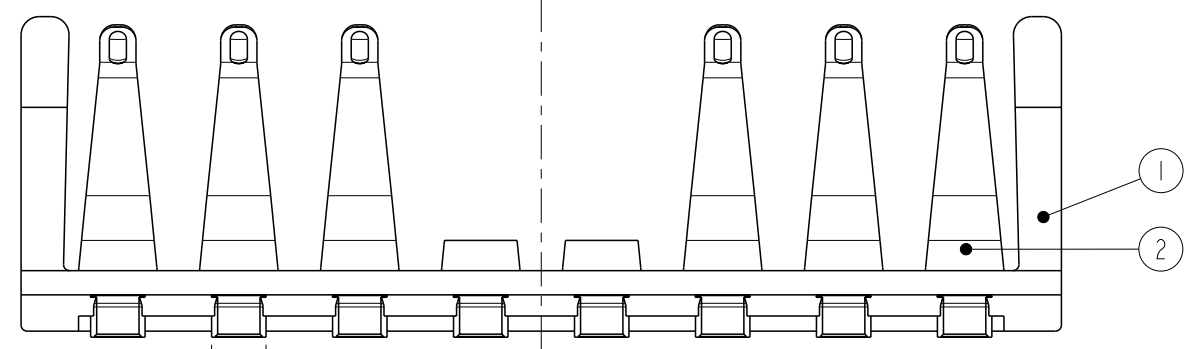
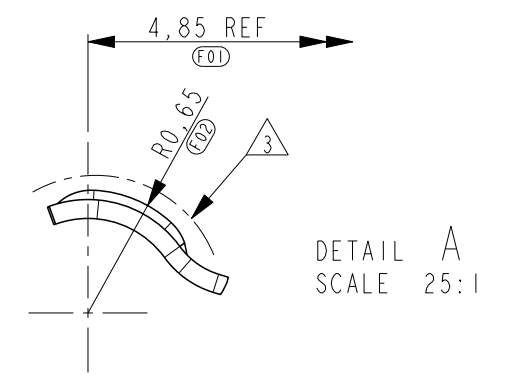
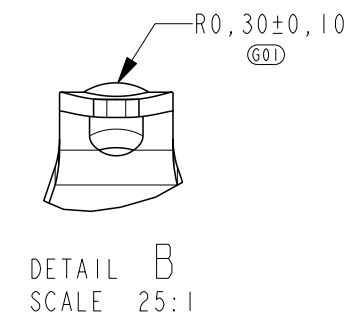
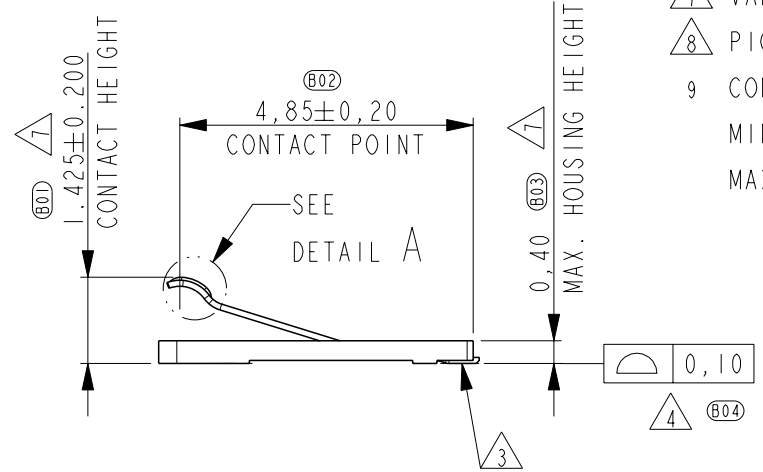
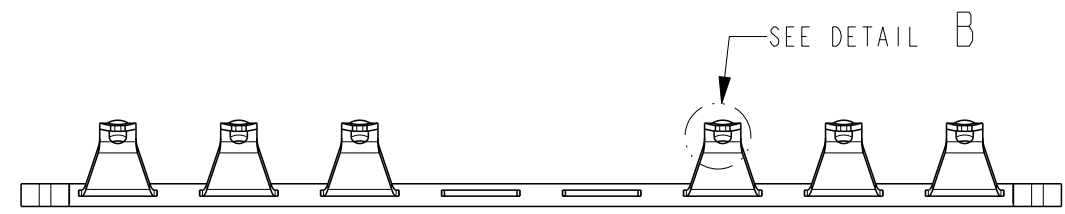


THIS DRAWING IS UNPUBLISHED. RELEASED FOR PUBLICATION  
 © COPYRIGHT - BY - ALL RIGHTS RESERVED.

LOC	DIST	REVISIONS					
H	-	P	LTR	DESCRIPTION	DATE	DWN	APVD
		A		RELEASE	30JULY2014	E.L	WK.H
		A1		ECR-14-016631	18NOV2014	T.Q	WK.H
		A2		ECR-16-004791	01APR2016	A.W	H.L



- NOTES:
- P/N: A=0.50MM FOR 2287112-2; A=0 FOR 2287112-3
  - DRAWING REPRESENTS PART VERSION V5.
  - PLATING: - 1,27µm MIN. NICKEL ALL OVER,  
- 0,3µm MIN GOLD ON CONTACT POINTS (INDICATED BY DASHED LINE),  
- GOLD FLASH ON SOLDER TAILS (INDICATED BY DASHED LINE).
  - COPLANARITY OF SOLDER SURFACES 0,10 MAX.
  - MARKING: VERSION,  
PRODUCTION DATE ('YWWDS' YEAR, WEEK, DAY + DAY/NIGHT SHIFT)
  - MARKING: CAVITY ID, RECESSED.
  - VARIABLE VALUE, SEE TABLE SHEET 3.
  - PICK & PLACE SURFACE DEFINED BY HATCHED AREA.
  - CONTACT WORKING HEIGHT 0,70mm ± 0,30mm,  
MIN FORCE 0,20N AT 1,00mm,  
MAX FORCE 0,80N AT 0,40mm MEASURED FROM BOTTOM PWB.



ITEM NO.	DESCRIPTION	MATERIAL	FINISH
2	CONTACT	STAINLESS STEEL	GOLD PLATED (3)
1	HOUSING	PLASTIC, GF	-

THIS DRAWING IS A CONTROLLED DOCUMENT.

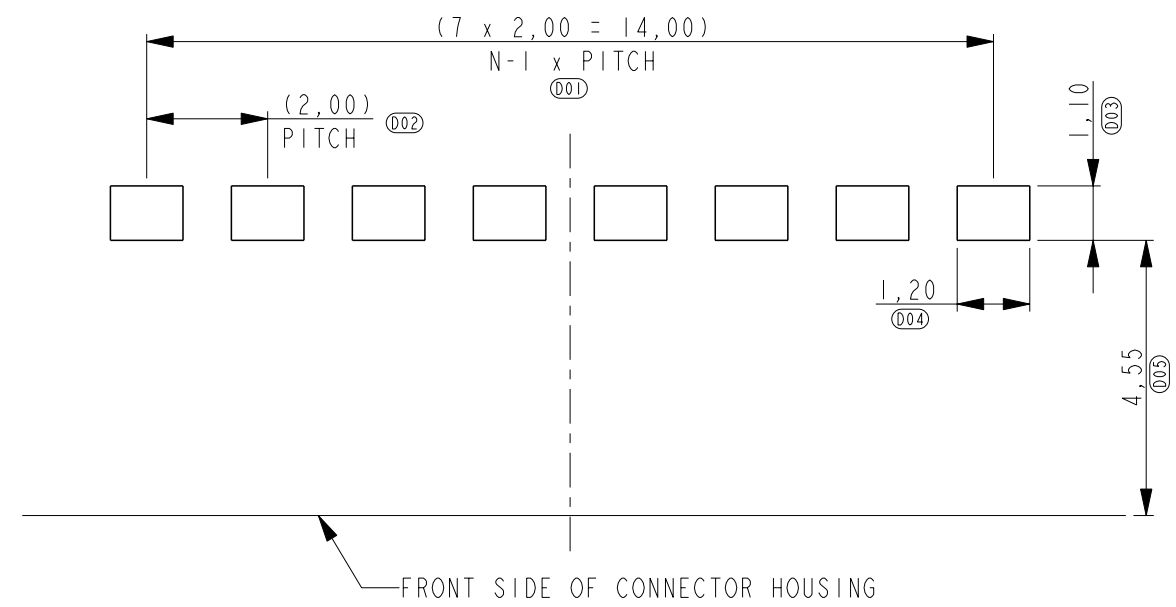
DIMENSIONS:	TOLERANCES UNLESS OTHERWISE SPECIFIED:
mm	
	0 PLC ±0,30
	1 PLC ±0,20
	2 PLC ±0,15
	3 PLC ±
	4 PLC ±
	ANGLES ±
MATERIAL -	FINISH -

DWN A.W 01-APR-16	TE Connectivity Board to Board 6 pin Connector			
CHK H.L 01-APR-16				
APVD H.L 01-APR-16				
PRODUCT SPEC 108-19386				
APPLICATION SPEC -	SIZE A3	CAGE CODE 00779	DRAWING NO C-2287112	RESTRICTED TO -
WEIGHT (3)	SCALE 8:1		SHEET 1 OF 3	REV A2

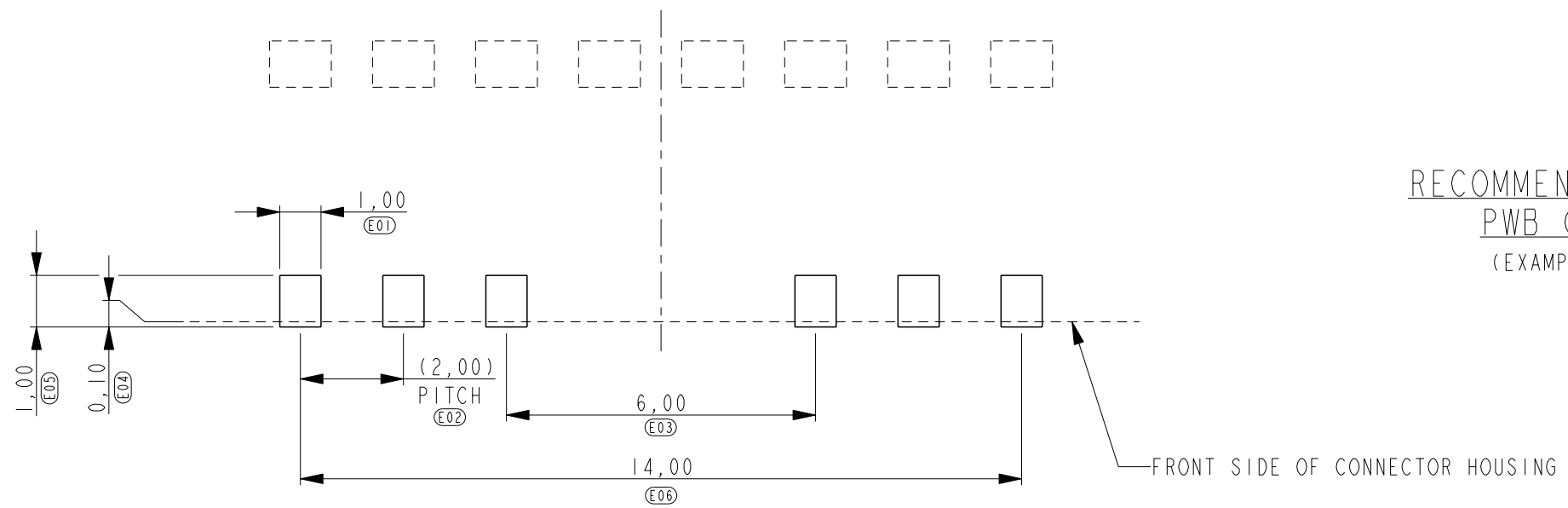
CUSTOMER DRAWING

THIS DRAWING IS UNPUBLISHED. RELEASED FOR PUBLICATION  
 © COPYRIGHT - BY - ALL RIGHTS RESERVED.

LOC		DIST		REVISIONS			
P	LTR	DESCRIPTION	DATE	DWN	APVD		
-	-	SEE SHEET 1	-	-	-		



RECOMMENDED PWB LAY-OUT  
 PWB SOLDER SIDE  
 (EXAMPLE FOR 2287112-2/3)



RECOMMENDED PWB LAY-OUT  
 PWB CONTACT SIDE  
 (EXAMPLE FOR 2287112-2/3)

THIS DRAWING IS A CONTROLLED DOCUMENT.		DWN A.W	01-APR-16	TE Connectivity	
DIMENSIONS: mm		CHK H.L	01-APR-16		
		TOLERANCES UNLESS OTHERWISE SPECIFIED:		NAME Board to Board 6 pin Connector	
		0 PLC ±0,30 1 PLC ±0,20 2 PLC ±0,15 3 PLC ± 4 PLC ± ANGLES ±-		APVD H.L 01-APR-16	
MATERIAL material_2		FINISH finish_spec_2		PRODUCT SPEC 108-19386	
		WEIGHT -		APPLICATION SPEC -	
		CUSTOMER DRAWING		SIZE A3	CAGE CODE 00779
		SCALE 8:1		DRAWING NO C-2287112	RESTRICTED TO -
		SHEET 2 OF 3		REV A2	

THIS DRAWING IS UNPUBLISHED.

RELEASED FOR PUBLICATION

© COPYRIGHT - BY -

ALL RIGHTS RESERVED.

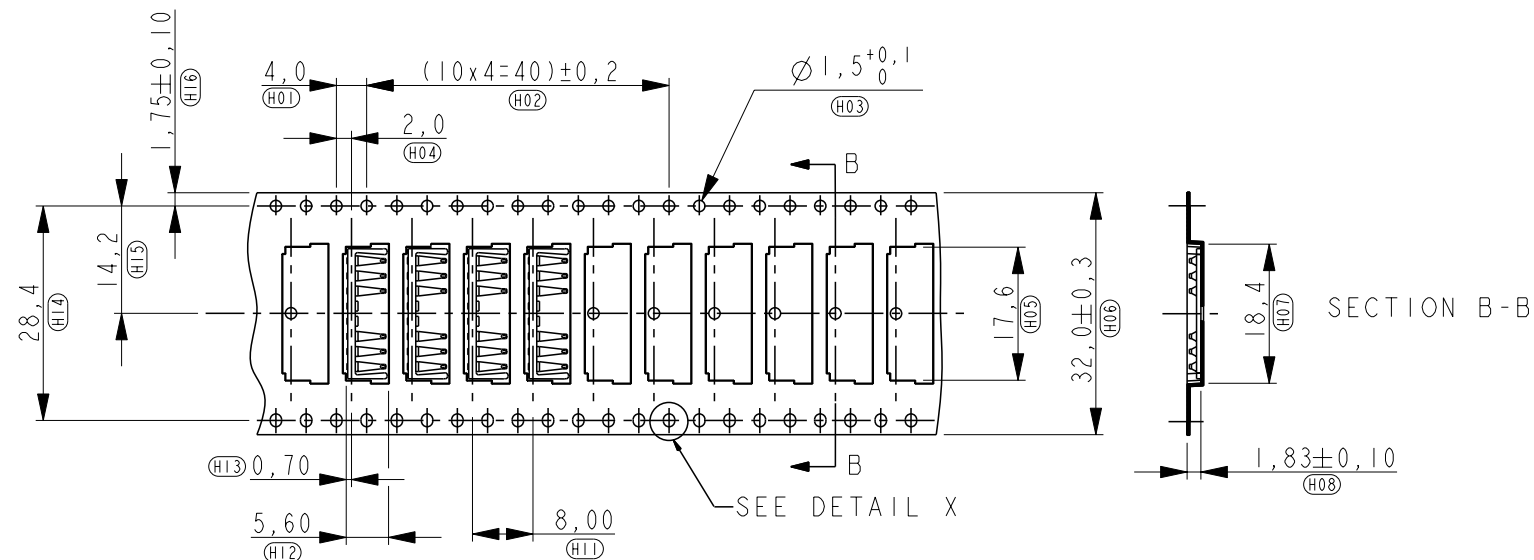
LOC DIST

REVISIONS

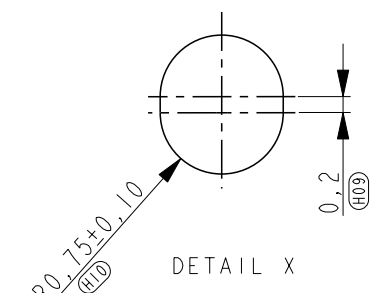
P	LTR	DESCRIPTION	DATE	DWN	APVD
-	-	SEE SHEET 1	-	-	-

2,00mm PITCH		CONTACT POSITIONS
		6
- PWB STACKING HEIGHT	- 0,70±0,30	2287112-2 2287112-3
- CONTACT HEIGHT (DIM B01)	- 1,425	
- HOUSING HEIGHT (DIM B03)	- 0,40 max.	
- WEIGHT	- 0,045 gr.	
- QTY PER REEL	- 4000 PCS	

REEL DIMENSIONS: 330x100x32,4



USER DIRECTION OF UNREELING



THIS DRAWING IS A CONTROLLED DOCUMENT.		DWN A.W	01-APR-16	<b>TE Connectivity</b>													
DIMENSIONS: mm		CHK H.L	01-APR-16														
TOLERANCES UNLESS OTHERWISE SPECIFIED:		APVD H.L	01-APR-16	NAME Board to Board 6 pin Connector													
<table border="0"> <tr><td>0 PLC</td><td>±0,30</td></tr> <tr><td>1 PLC</td><td>±0,20</td></tr> <tr><td>2 PLC</td><td>±0,15</td></tr> <tr><td>3 PLC</td><td>±</td></tr> <tr><td>4 PLC</td><td>±</td></tr> <tr><td>ANGLES</td><td>±</td></tr> </table>		0 PLC	±0,30	1 PLC	±0,20	2 PLC	±0,15	3 PLC	±	4 PLC	±	ANGLES	±	PRODUCT SPEC 108-19386		SIZE A3	
0 PLC	±0,30																
1 PLC	±0,20																
2 PLC	±0,15																
3 PLC	±																
4 PLC	±																
ANGLES	±																
MATERIAL material_2		APPLICATION SPEC -		CAGE CODE 00779	DRAWING NO C-2287112												
FINISH finish_spec_2		WEIGHT -		RESTRICTED TO -	SCALE 8:1												
CUSTOMER DRAWING				SHEET 3 OF 3	REV A2												