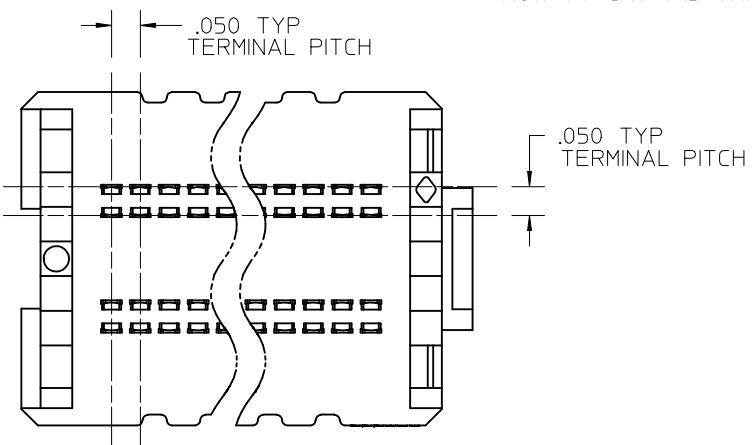
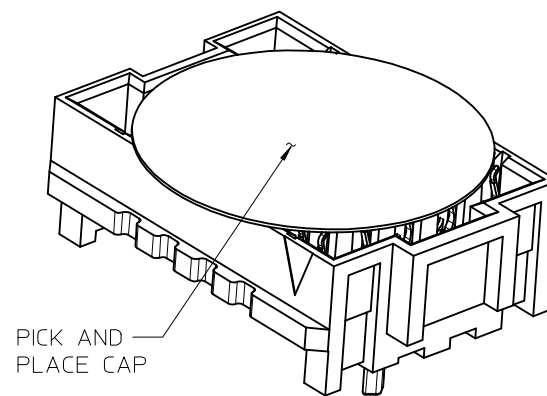
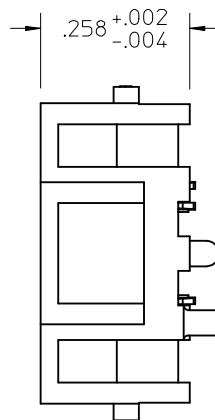
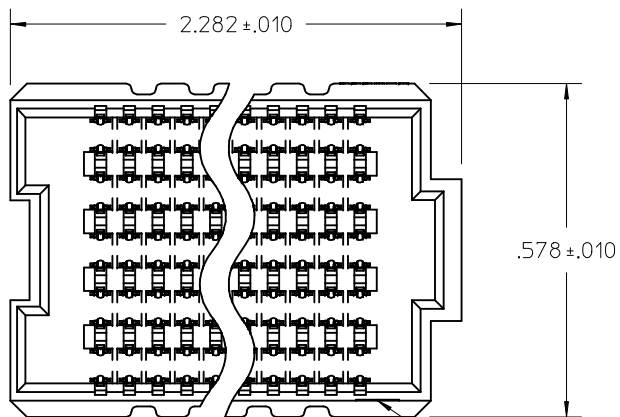


NOTES:

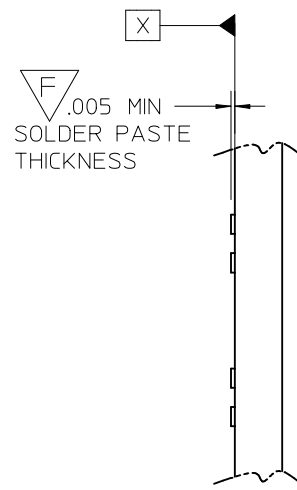
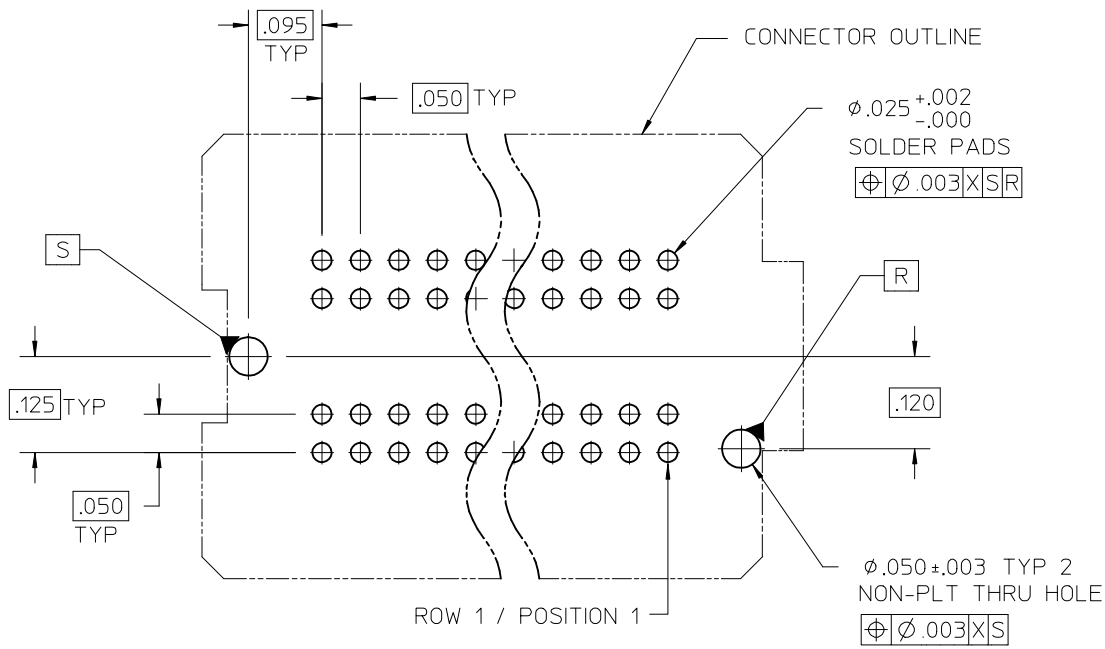
- MATERIAL: HOUSING: LCP, UL94V-0, BLACK  
CONTACTS: COPPER ALLOY  
SOLDER CHARGE: SEE CHART
- FINISH: SELECT GOLD IN CONTACT: 30 MI MIN  
SELECT TIN IN TAIL: 100 MI MIN  
BOTH OVER NICKEL
- PRODUCT SPECIFICATION: PS-45970-001
- PACKAGING SPECIFICATION: PK-45971-002
- MATES WITH SEARAY RECEPTACLE ASSY 45971
- APPLICATION SPECIFICATION, AS-45970-001
- COSMETIC SPECIFICATION: PS-45499-002 CLASS B



ROW 1 / CKT 1 ID THIS SIDE

MATERIAL NO:	
45971-4305	TIN
45971-4307	TIN / LEAD

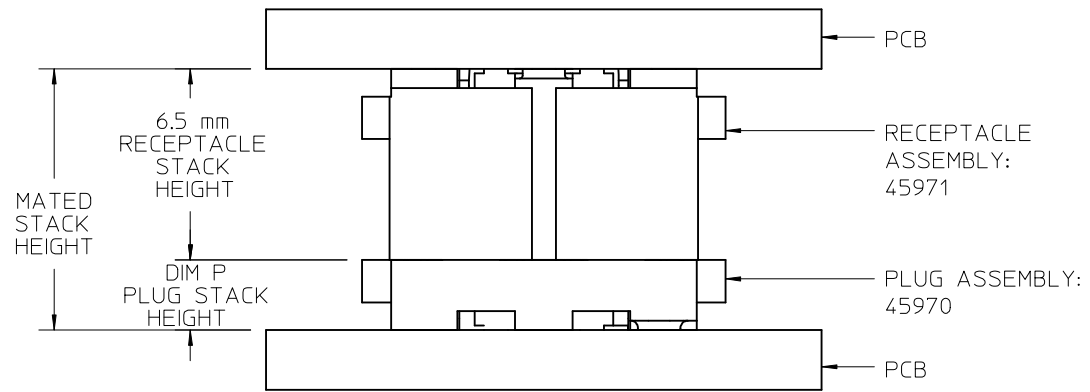
INITIAL RELEASE EC NO: UCP2010-0292 DRWN: TGREGORI 2009/08/04 CHKD: 2009/08/04 APPR: JCOMERCI 2009/08/05 REV DESCRIPTION	GENERAL TOLERANCES (UNLESS SPECIFIED)		DIMENSION STYLE INCH ONLY		SCALE 3:1	DESIGN UNITS INCH	THIRD ANGLE PROJECTION
		mm	INCH	DRAWN BY TGREGORI	DATE 2009/08/03	TITLE SEARAY RECEPT ASSEMBLY .050 CENTERS FOR VITA 57 SPEC MOLEX INCORPORATED	
	4 PLACES	± .004	± .010	CHECKED BY JCOMERCI	DATE		
	3 PLACES	± .004	± .015	APPROVED BY JCOMERCI	DATE 2009/08/04		
	2 PLACES	± .004	± .015	MATERIAL NO.		DOCUMENT NO.	SHEET NO.
	1 PLACE	± .004	± .015	SEE CHART		SD-45971-057	1 OF 2
	ANGULAR ± ---°		DRAFT WHERE APPLICABLE MUST REMAIN WITHIN DIMENSIONS		THIS DRAWING CONTAINS INFORMATION THAT IS PROPRIETARY TO MOLEX INCORPORATED AND SHOULD NOT BE USED WITHOUT WRITTEN PERMISSION		



RECOMMENDED PCB LAYOUT: COMPONENT SIDE  
 SOLDER SCREEN APERTURE SIZE: .035  $\nabla F$   
 PCB THICKNESS: NA

		RECEPTACLE STACK HEIGHT					
		MM	-	-	6.5	-	-
DIM P PLUG STACK HEIGHT	2.0	-	-	8.5	-	-	-
	-	-	-	-	-	-	-
	3.5	-	-	10.0	-	-	-
	-	-	-	-	-	-	-
	-	-	-	-	-	-	-
	-	-	-	-	-	-	-
	-	-	-	-	-	-	-

MATED STACK HEIGHTS (MILLIMETERS) REF



STACK HEIGHTS GIVEN IN METRIC FOR REF ONLY

SEE SHEET 1 EC NO: UCP2010-0292 DRWN: TGREGORI 2009/08/04 CHKD: 2009/08/04 APPR: JCOMERCI 2009/08/05	DESCRIPTION	GENERAL TOLERANCES (UNLESS SPECIFIED)		DIMENSION STYLE INCH ONLY		SCALE 4:1	DESIGN UNITS INCH	THIRD ANGLE PROJECTION		
			mm	INCH	DRAWN BY TGREGORI	DATE 2009/08/03	TITLE <b>SEARAY RECEPT ASSEMBLY          .050 CENTERS          FOR VITA 57 SPEC</b>			
		4 PLACES	± ---	± ---	CHECKED BY JCOMERCI	DATE				
		3 PLACES	± ---	± .010	APPROVED BY JCOMERCI	DATE 2009/08/04				
						MOLEX INCORPORATED DOCUMENT NO. SD-45971-057				
		DRAFT WHERE APPLICABLE MUST REMAIN WITHIN DIMENSIONS			SIZE A	THIS DRAWING CONTAINS INFORMATION THAT IS PROPRIETARY TO MOLEX INCORPORATED AND SHOULD NOT BE USED WITHOUT WRITTEN PERMISSION				
						SHEET NO. 2 OF 2				