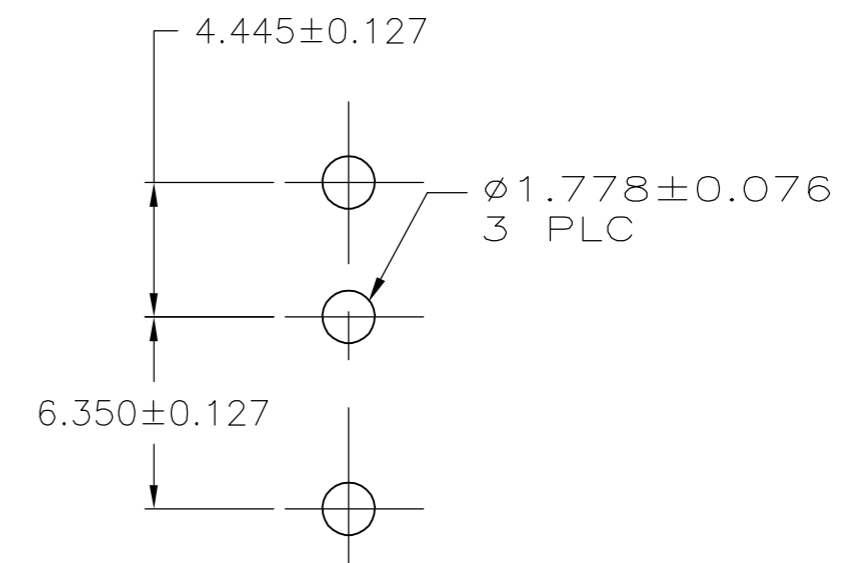
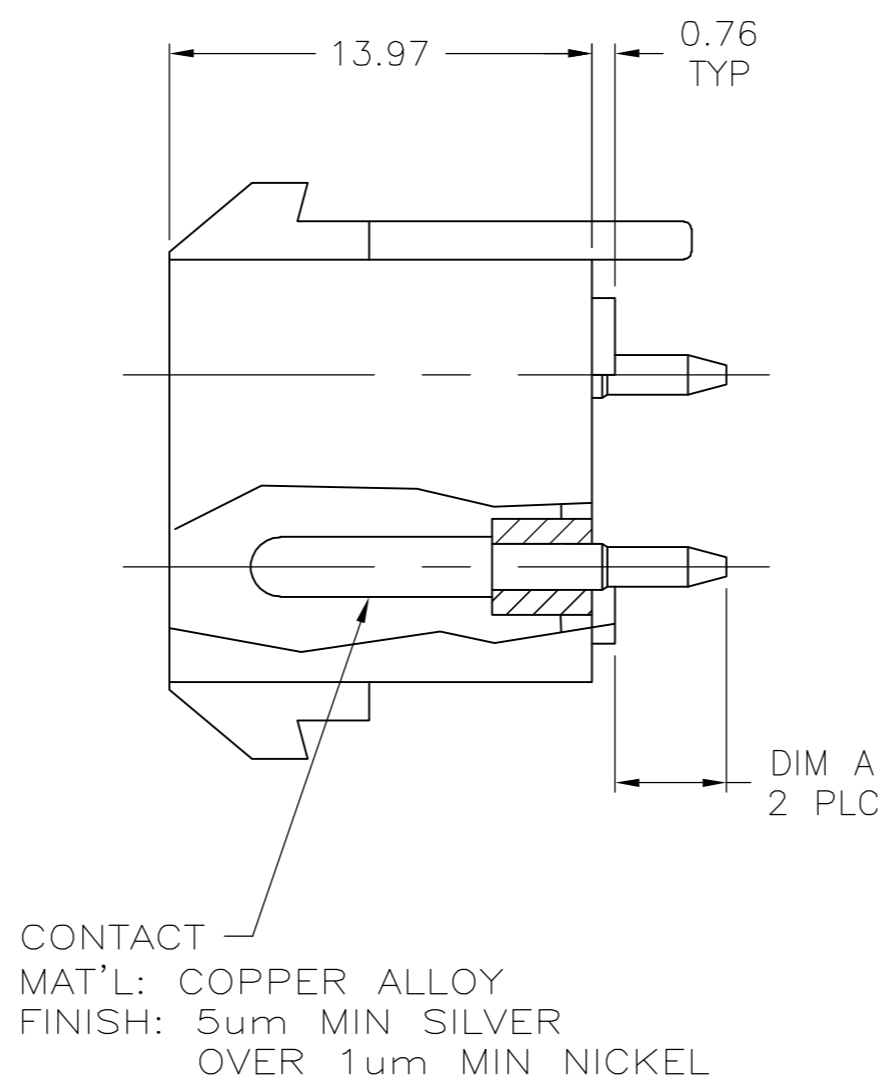
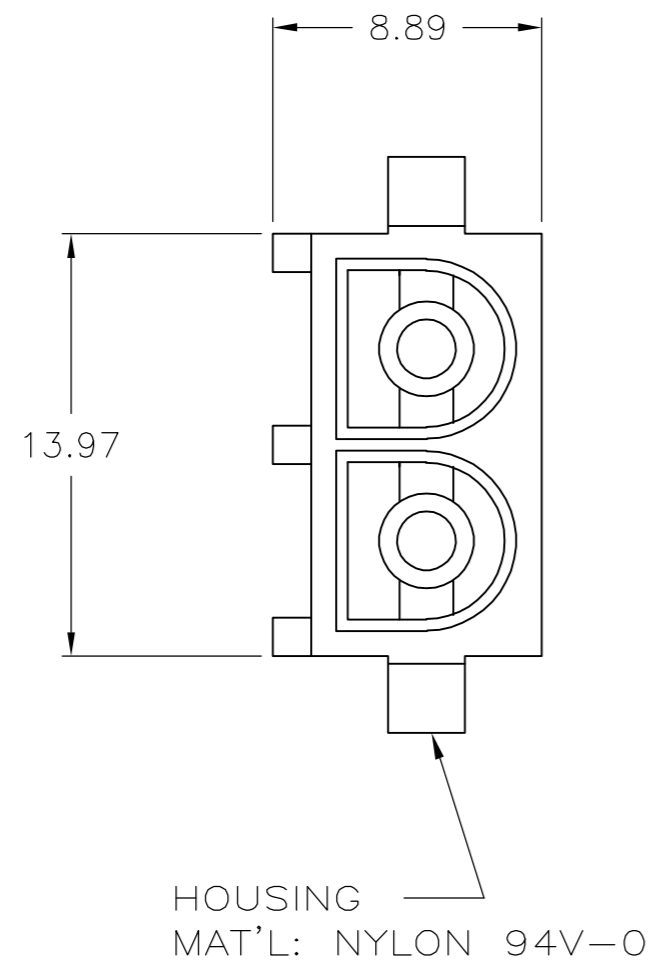


THIS DRAWING IS UNPUBLISHED. RELEASED FOR PUBLICATION  
 © COPYRIGHT BY TYCO ELECTRONICS CORPORATION. ALL RIGHTS RESERVED.

LOC		DIST		REVISIONS			
P	LTR	DESCRIPTION		DATE	DWN	APVD	
FT	0	C		REVISED PER ECO-05-15915	12/14/05	SS	GS

NOTES:

- MATES WITH MATE-N-LOK II PLUG CONNECTOR USING PN 194211-1 OR 194213-1 SOCKET CONTACTS.
- ALL DIMENSIONS ARE REFERENCE ONLY EXCEPT PC LAYOUT.
- PIN CONTACTS ARE LUBRICATED.



RECOMMENDED LAYOUT FOR  
1.57 THICK PC BOARD

4.32	194269-2
3.68	194269-1
DIM A	PART NO.

THIS DRAWING IS A CONTROLLED DOCUMENT.		DWN	25/FEB/98	Tyco Electronics Corporation Harrisburg, PA 17105-3608	
DIMENSIONS: mm		CHK	R N POLK	NAME	
TOLERANCES UNLESS OTHERWISE SPECIFIED:		APVD		HIGH CURRENT VERT. PIN HEADER ASSY, MATE-N-LOK II, 2 CIRCUIT, LUBRICATED	
0 PLC ± -		PRODUCT SPEC		SIZE	CAGE CODE
1 PLC ± -		APPLICATION SPEC		A2	00779
2 PLC ± -				DRAWING NO	
3 PLC ± -				C=194269	
4 PLC ± -				RESTRICTED TO	
ANGLES ± -		WEIGHT	-	-	
FINISH		CUSTOMER DRAWING		SCALE	SHEET
				4:1	1 of 1
				REV	C