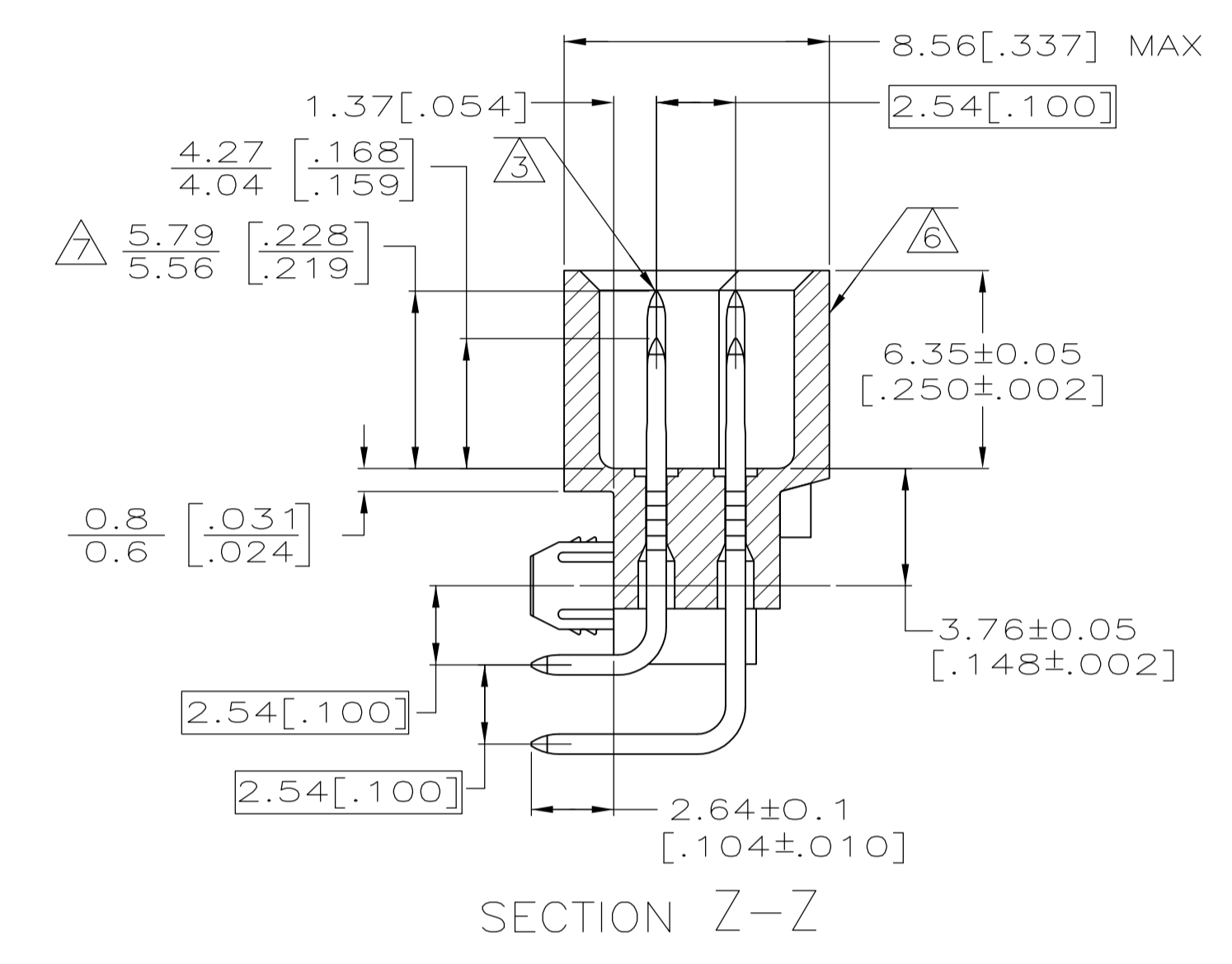


RECOMMENDED PC BOARD LAYOUT

- 1 HOUSING MATERIAL: GLASS-FILLED POLYMER.
- 2 POST MATERIAL: COPPER ALLOY.
- 3 POST FINISH: DIN 41612 CLASS 2 IN CONTACT AREA. TIN PLATE ON POSTS.
- 4 RECOMMENDED HOLE SIZE FOR MANUAL APPLICATION OF CONNECTOR ONTO PC BOARD.
- 5 PART NUMBER, DATE CODE MARKED THIS APPROXIMATE AREA.
- 6 MARKINGS ON THIS SIDE.
- 7 THE 5.69[.224] LONG MAKE FIRST POSTS EXCEED THE ALIGNMENT CAPABILITY OF THE HOUSING AND COULD POSSIBLY STUB DURING MATING. CUSTOMERS MUST TAKE THIS INTO CONSIDERATION IN CARD CAGE DESIGN.



9-14,16,18,20,23,24	15,17,19,21,22	B	16	5148268-5
9-14,16,18,20,23,24	1,15,17,19,21,22,32	A	18	
POSITIONS LOADED WITH 5.69[.224] CONTACTS	POSITIONS LOADED WITH 4.16[.164] CONTACTS	ROWS	NO. OF LOADED POSITIONS	PART NUMBER
THIS DRAWING IS A CONTROLLED DOCUMENT.		DIN J. POLIGNONE CHK A. SHARPE APVD A. SHARPE PRODUCT SPEC		
DIMENSIONS: mm [INCHES] TOLERANCES UNLESS OTHERWISE SPECIFIED: 0 PLC ± - 1 PLC ± - 2 PLC ± 0.13[.005] 3 PLC ± - 4 PLC ± - ANGLES ± -		Tyco Electronics Corporation Harrisburg, Pa 17105-3608 NAME ASSEMBLY, PIN, EUROCARD, TYPE B, 34/64 POSITION, 2.64[.104] SOLDER POST WITH MFBL CONTACTS AND BOARD-LOCKS APPLICATION SPEC SIZE CAGE CODE DRAWING NO WEIGHT A1 00779 C=5148268		
MATERIAL 1 2 FINISH 3		CUSTOMER DRAWING SCALE 5:1 SHEET 1 OF 1 REV 01		