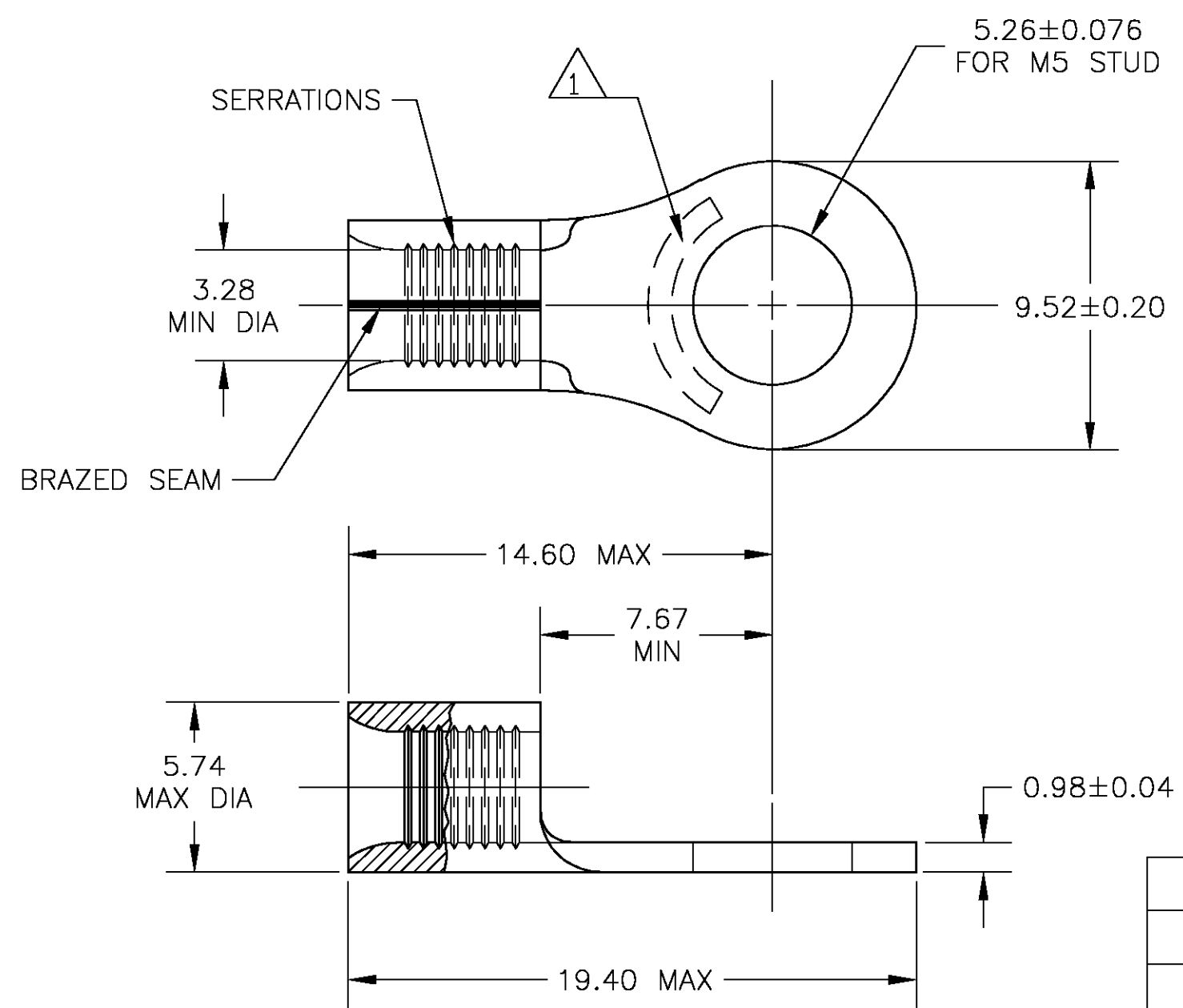


THIS DRAWING IS UNPUBLISHED. RELEASED FOR PUBLICATION
 © COPYRIGHT BY TYCO ELECTRONICS CORPORATION. ALL RIGHTS RESERVED.

LOC	DIST	REVISIONS					
G	14	P	LTR	DESCRIPTION	DATE	DWN	APVD
			C	REV PER 0G3A-0827-04	18OCT04	JR	MS

AMP
WIRE RANGE

12-10 AWG
SOLID OR STRANDED



- △ 1 STAMP AMP 12-10* APPROX AS SHOWN
- △ 2 COPPER PER ASTM B-152, ANNEALED
- △ 3 TIN PLATE 0.00254 MIN THK PER ASTM B-545
- △ 4 GOLD FLASH PLATE 0.000127 MIN THK PER ASTM-B488 OVER NICKEL PLATE 0.000762 MIN THK PER QQ-N-290

△ 3	-	2500	ON TAPE	696665-3
-	3-130191-0	500	LOOSE PIECE	1-696665-0
△ 4	-	500	LOOSE PIECE	696665-2
△ 3	130191	500	LOOSE PIECE	696665-1
FINISH	DIRECT REPLACEMENT FOR	QTY	PACKAGING TYPE	PART NO

AMP INCORPORATED CUSTOMER SERVICE SYSTEMS		MAX RECOMMENDED OPERATING TEMPERATURE: 170° C	THIS DRAWING IS A CONTROLLED DOCUMENT.		DWN JR RUTH 24OCT03	tyco Electronics Tyco Electronics Corporation Harrisburg, PA 17105		
FOR ADDITIONAL PRODUCT INFORMATION OR COPIES OF DRAWINGS AND TECHNICAL DOCUMENTS	PRODUCT INFORMATION CENTER 1-800-522-6752	VOLTAGE RATING: N/A	DIMENSIONS: MM = INCHES	TOLERANCES UNLESS OTHERWISE SPECIFIED:	CHK T MICHIELUTTI 24OCT03	NAME TERMINAL, RING TONGUE, SOLISTRAND WIRE SIZE 12-10 AWG		
FOR APPLICATION TOOLING INFORMATION	TOOLING ASSISTANCE CENTER 1-800-722-1111	CIRCULAR MIL AREA: 2.62-6.64mm² [5,180-13,100] SOLID OR STRANDED		0 PLC ± - 1 PLC ± - 2 PLC ± - 3 PLC ± - 4 PLC ± - ANGLES ± 1'	APVD T MICHIELUTTI 24OCT03	APPLICATION SPEC	RESTRICTED TO	
FOR ORDER ENTRY	1-800-526-5142	THIS DRAWING IS A CONTROLLED DOCUMENT FOR AMP INCORPORATED. IT IS SUBJECT TO CHANGE AND THE CONTROLLING ENGINEERING ORGANIZATION SHOULD BE CONTACTED FOR THE LATEST REVISION.	MATERIAL - △ 2	FINISH SEE TABLE	PRODUCT SPEC	SIZE A3	CAGE CODE 00779	DRAWING NO C-696665
					WEIGHT -	SCALE 5:1	SHEET 1 OF 1	REV C
					CUSTOMER DRAWING			