

LAYOUT SHOWN AS EXAMPLE

Keying Shown as example

CHARACTERISTICS

- Standard : Based on MIL-DTL-38999 Series III
- Shell Material : Aluminium
- Shell Plating : Olive drab Cadmium
- Insulator : Thermoplastic
- Contacts : Copper Alloy
- Seals & Grommet : Silicon Elastomer
- Contact Plating : Gold over copper Alloy 0.8µm minimum
- Durability : 500 Mating cycles
- Delivered with Souriau contacts and Accessories
- Temperature Range : -65°C to +175°C
- Salt Spray : 500 hours
- Mass : 20.08 g ± 10%

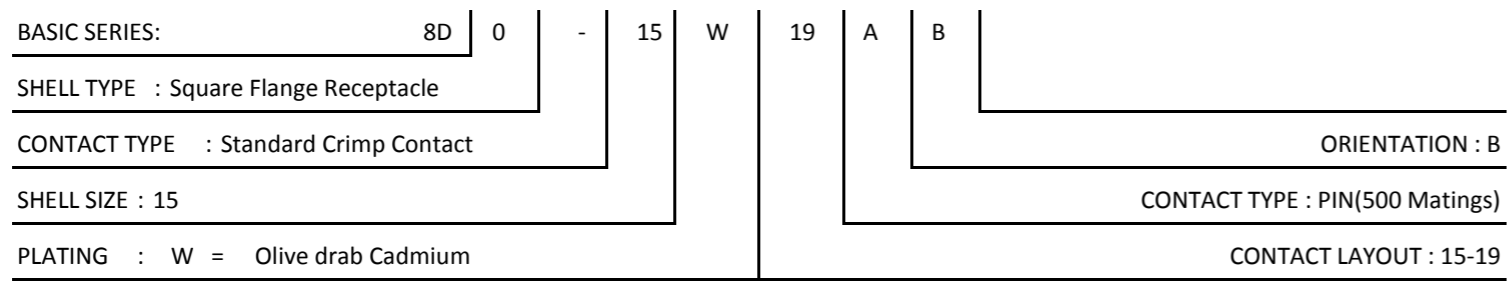
Connector dimension	
Dim	Nominal
P	3.25±0.2
PP	4.39±0.2
R1	24.61
R2	23.01
S	31±0.3
V	20.83+0/-1.25
W	2.1/2.5
Z	31.5 Max
VV THREAD	M22x1-6g

SOURIAU shall not be liable for any non-conformity or damage due to a use of the Products which does not comply with the Specifications issued by either of the Parties or by a third party (professional recommendation, technical notice.)

Country	Jurisdiction & Control List
FR	Not Listed

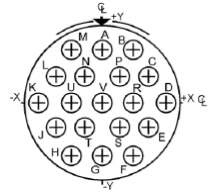
PN: 8D015W19AB

A	17-10-2016	First Release	
ISS	DATE	Latest modification - by	MOD N°
Designed By:		Date:	CUSTOMER DRAWING
TITLE	Aluminium Receptacle 8D series		
SCALE	NA	General linear Tolerances: ±--	NPRDS / PROJECT 859
SOURIAU	WWW.SOURIAU.COM		This document is the property of SOURIAU it must not be reproduced or communicated without permission
FORMAT	A3		SOURIAU DRG N° 8D015W19AB-C
			SHEET 1/2



ORIENTATION : B
CONTACT TYPE : PIN(500 Matings)
CONTACT LAYOUT : 15-19

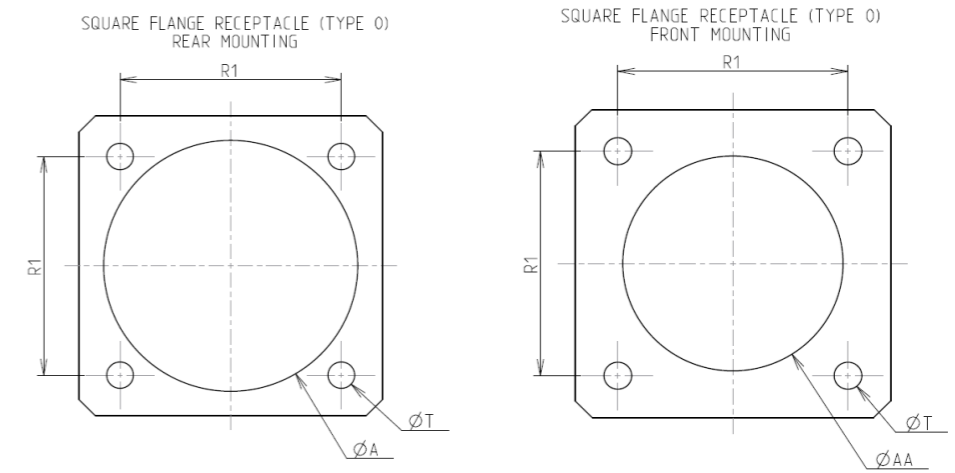
Contact Layout



Contacts (Insert arrangement 15-19)					
Contact position ID	Location		Contact position ID	Location	
	X-axis (mm)	Y-axis (mm)		X-axis (mm)	Y-axis (mm)
A	+000 (0.00)	+225 (5.72)	L	-195 (4.95)	+113 (2.87)
B	+130 (3.30)	+225 (5.72)	M	-130 (3.30)	+225 (5.72)
C	-195 (4.95)	+113 (2.87)	N	-005 (1.05)	+113 (2.87)
D	+260 (6.60)	+000 (0.00)	P	+065 (1.65)	+113 (2.87)
E	+195 (4.95)	-113 (2.87)	R	+130 (3.30)	+000 (0.00)
F	+130 (3.30)	-225 (5.72)	S	+065 (1.65)	-113 (2.87)
G	+000 (0.00)	-225 (5.72)	T	-065 (1.65)	-113 (2.87)
H	-130 (3.30)	-225 (5.72)	U	-130 (3.30)	+000 (0.00)
J	-195 (4.95)	-113 (2.87)	V	+000 (0.00)	+000 (0.00)
K	-260 (6.60)	+000 (0.00)			

Shell size	Arrangement no.	Number of contacts	Size contacts	Service rating	Contact location	Supersedes
15	-19	19	20	I	All	MS20052-19

Panel Cutout



Dim	Nominal
ØA	26.59 min
ØAA	23.01 min
R1	24.61
ØT	3.25 ±0.13

SOURIAU shall not be liable for any non-conformity or damage due to a use of the Products which does not comply with the Specifications issued by either of the Parties or by a third party (professional recommendation, technical notice.)

Country	Jurisdiction & Control List
FR	Not Listed

PN: 8D015W19AB

A	17-10-2016	First Release	
ISS	DATE	Latest modification - by	MOD N°
Designed By:		Date:	CUSTOMER DRAWING
TITLE	Aluminium Receptacle 8D series		
SCALE		General linear Tolerances: ±--	NPRDS / PROJECT 859
NA			
SOURIAU	WWW.SOURIAU.COM		This document is the property of SOURIAU it must not be reproduced or communicated without permission
FORMAT	SOURIAU DRG N° 8D015W19AB-C		SHEET 2/2