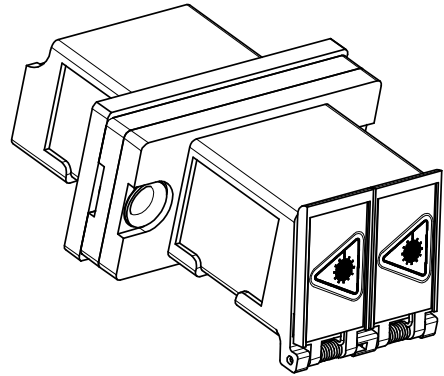
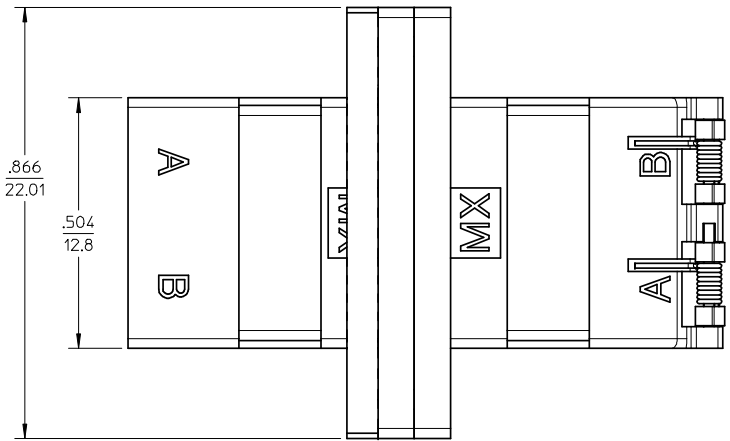
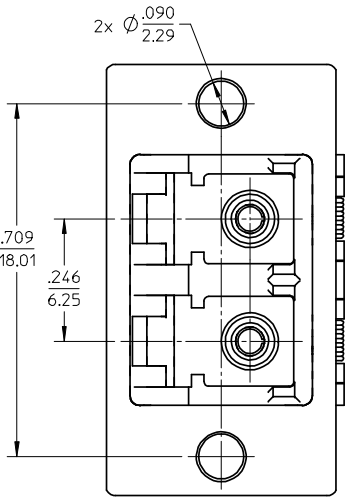
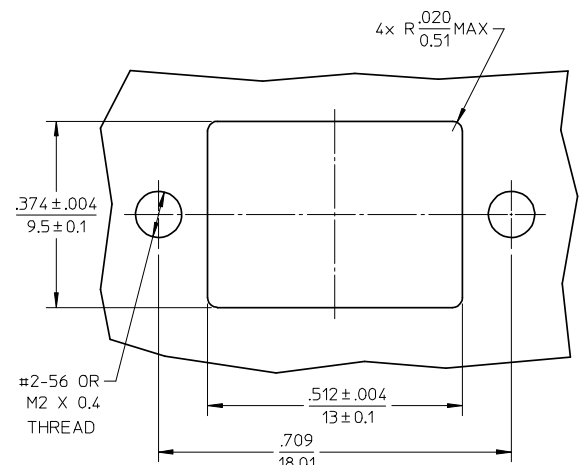
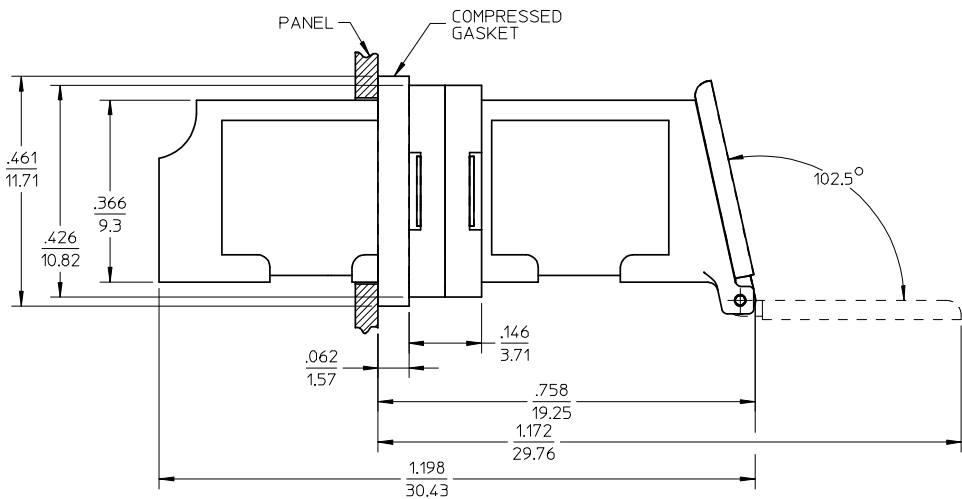


10	9	8	7	6	5	4	3	2	1
ADAPTER P/N	SPLIT SLEEVE MATERIAL	LC DOOR MATERIAL							
106115-1110	Zr	METAL							
106115-1116	Ph. Bronze								
106115-1130	Zr	PLASTIC, GREEN							



- NOTES:
1. ALL DIMENSIONS ARE FOR REFERENCE ONLY.
 2. CONDUCTIVE SILICONE GASKET WITH FILLER IS SUPPLIED WITH PART.
 3. PART IS DIECAST.
 4. DUST CAP NOT SHOWN.
 5. ADAPTERS TO BE PACKAGED IN TRAY.

ENTER DESCRIPTION EC NO: MF2008-0344 DR: MANKPEVNER CHKD: 2008/02/22 APPR: LGUMIN 2008/02/22	QUALITY SYMBOLS ▽=0 ▽=0	GENERAL TOLERANCES (UNLESS SPECIFIED)		DIMENSION STYLE IN/MM		SCALE 4:1	DESIGN UNITS INCH	THIRD ANGLE PROJECTION			
		4 PLACES ± --- ± ---	mm INCH	DRAWN BY PGIBLIN	DATE 2005/12/08	TITLE LC-D EMI ADAPTER (SCREW MOUNT, W/SHUTTERS)					
		3 PLACES ± --- ± ---		CHECKED BY DATE		APPROVED BY DATE					
		2 PLACES ± --- ± --- 1 PLACE ± --- ± ---		MATERIAL NO. SEE TABLE		DOCUMENT NO. SD-106115-111X				SHEET NO. 1 OF 1	
DRAFT WHERE APPLICABLE MUST REMAIN WITHIN DIMENSIONS		ANGULAR ±1/2°		THIS DRAWING CONTAINS INFORMATION THAT IS PROPRIETARY TO MOLEX INCORPORATED AND SHOULD NOT BE USED WITHOUT WRITTEN PERMISSION							