

Customer Information Sheet

DRAWING No.: S509-XX

SHEET 3 OF 3

IF IN DOUBT - ASK

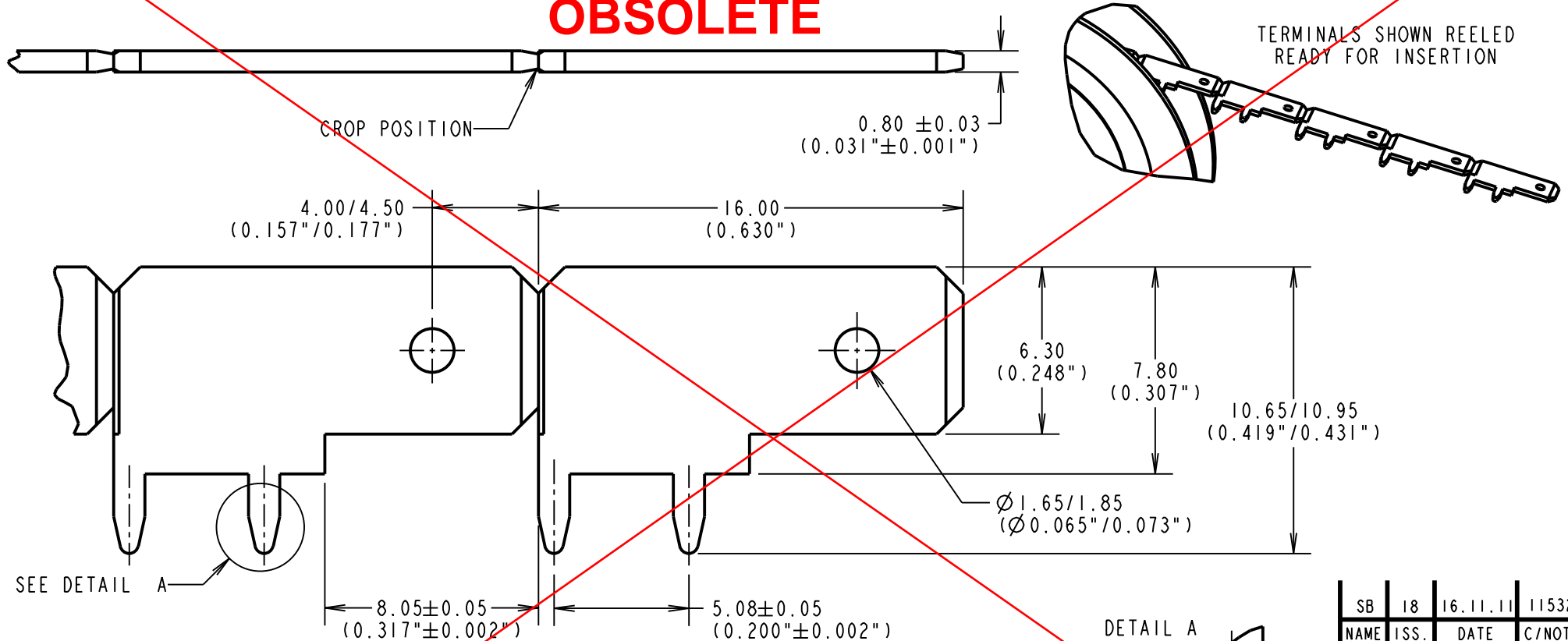
©

NOT TO SCALE

THIRD ANGLE PROJECTION

ALL DIMENSIONS IN mm

OBSOLETE



- NOTES:
1. QUANTITY PER REEL = 8K.
REEL WEIGHT = 7.1kg (INCLUDING REEL).
 2. RECOMMENDED MOUNTING HOLE SIZE = $\varnothing 1.25 \pm 0.06\text{mm}$ ($\varnothing 0.049 \pm 0.0024$).
 3. RECOMMENDED PCB THICKNESS = 1.60mm (0.063").
 4. PLATING THICKNESS = 4 μ 100% TIN (160 μ " 100% TIN).
 5. ALL TOLERANCES FOR INCHES ARE ± 0.004 " UNLESS OTHERWISE STATED.

SB	18	16.11.11	11532
NAME	ISS.	DATE	C/NOTE
APPROVED: S.BENNETT			
CHECKED: S.FLOWER			
DRAWN: I. SANDY			
CUSTOMER REF.:			
ASSEMBLY DRG:			

HARWIN

www.harwin.com
technical@harwin.com

THIS DRAWING AND ANY INFORMATION OR DESCRIPTIVE MATTER SET OUT HEREON ARE CONFIDENTIAL AND COPYRIGHT PROPERTY OF THE HARWIN GROUP AND MUST NOT BE DISCLOSED, LOANED, COPIED OR USED FOR MANUFACTURING, TENDERING OR FOR ANY OTHER PURPOSE WITHOUT THEIR WRITTEN PERMISSION.

TOLERANCES
X. = $\pm 1\text{mm}$
X.X = $\pm 0.25\text{mm}$
X.XX = $\pm 0.10\text{mm}$
X.XXX = $\pm 0.01\text{mm}$
ANGLES = $\pm 5^\circ$
UNLESS STATED

MATERIAL:
BRASS CW508L HARD TO
BS EN 1652
(CuZn37 HARD)

FINISH: SEE NOTES

S/AREA: mm²

TITLE:
6.3mm (0.248") BLADE
HORIZONTAL REELED TAB TERMINAL

DRAWING NUMBER:

S509-46

SHT
3
OF 3