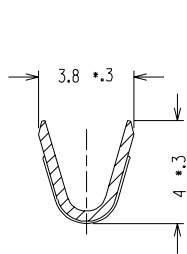
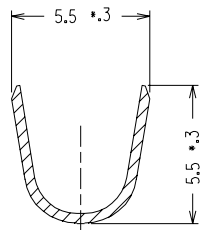


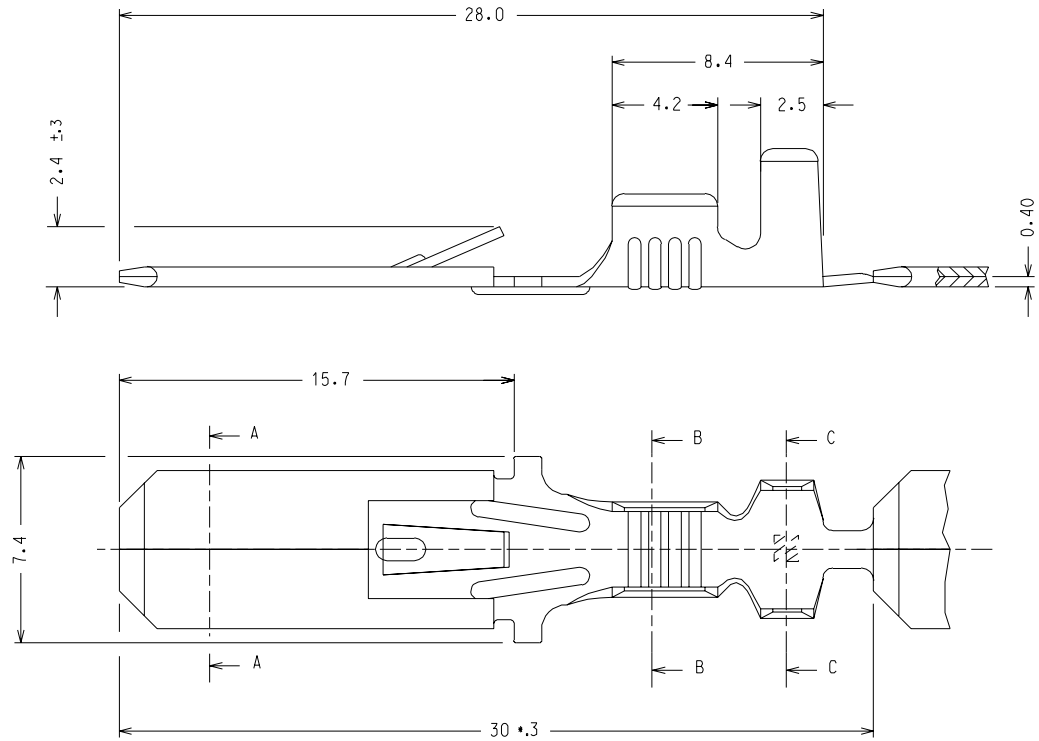
SECTION A - A



SECTION B - B



SECTION C - C



CODICE P/N	MATERIALE MATERIAL	FINITURA PLATING
94030-4080	OTTONE	GREGGIO/ PLAIN
94030-4081	BRASS	STAGNATO/ TIN
94030-4082	BRONZO FOSF.	GREGGIO/ PLAIN
94030-4083	PHOSPH. BRONZE	STAGNATO/ TIN

A 1	ECN Z3-169 25-11-93 C.F. Aggiunto nervatura su dentino	A	ECN Z0-004 C.F. 10 - 01 - 90	LTR	REVISIONS	DIMENSIONS SHOWN (METRIC) INCH		DRWG BY Gottardo	REVISE ONLY ON CAD SYSTEM		SH.	REV.
						UNLESS OTHERWISE SPECIFIED TOLERANCES ANGULAR ± 2°			CADCAM FILENAME	THIS DRAWING CONTAINS INFORMATION THAT IS PROPRIETARY TO CAD FILE 030408XS MOLEX INC AND SHOULD NOT BE USED WITHOUT WRITTEN PERMISSION		
						3 PLACE ±		CHK'D BY	TITLE			
						2 PLACE ±	± 0.1		TERMINALE MASCHIO DA 6.3 x 0.8			
						1 PLACE	± 0.2		MALE TERMINAL 6.3 x 0.8			
								APP'D BY	SEZ. RAME/ WIRE RANGE: 1.0-2.5 mm ² — ISOLANTE/INS. RANGE: Ø 2.7-4.3 mm			
								Previato	SHEET NO. DATE			
								SCALE	MOLEX MOLEX INCORPORATED			
								5 : 1	PART NO. DWG NO.			
									VEDI TABELLA SEE CHART			
									94030-408X SD			
									SIZE			
									B			