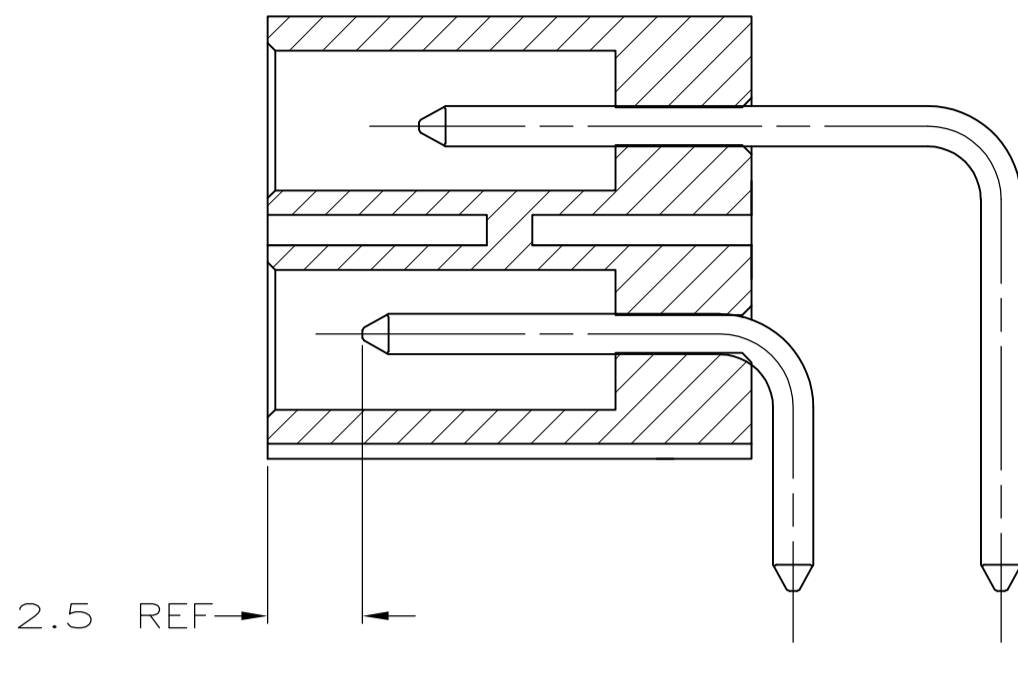
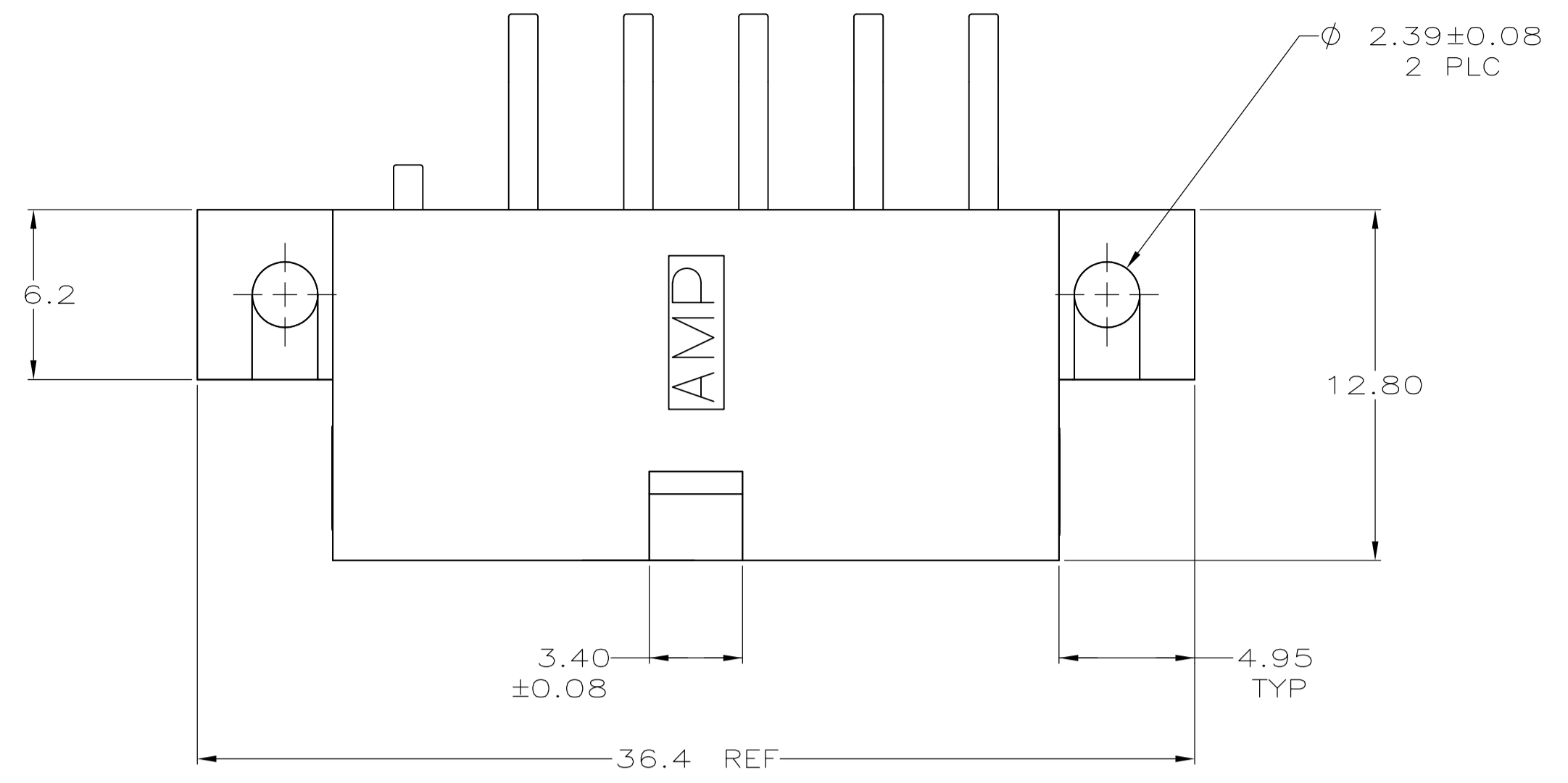
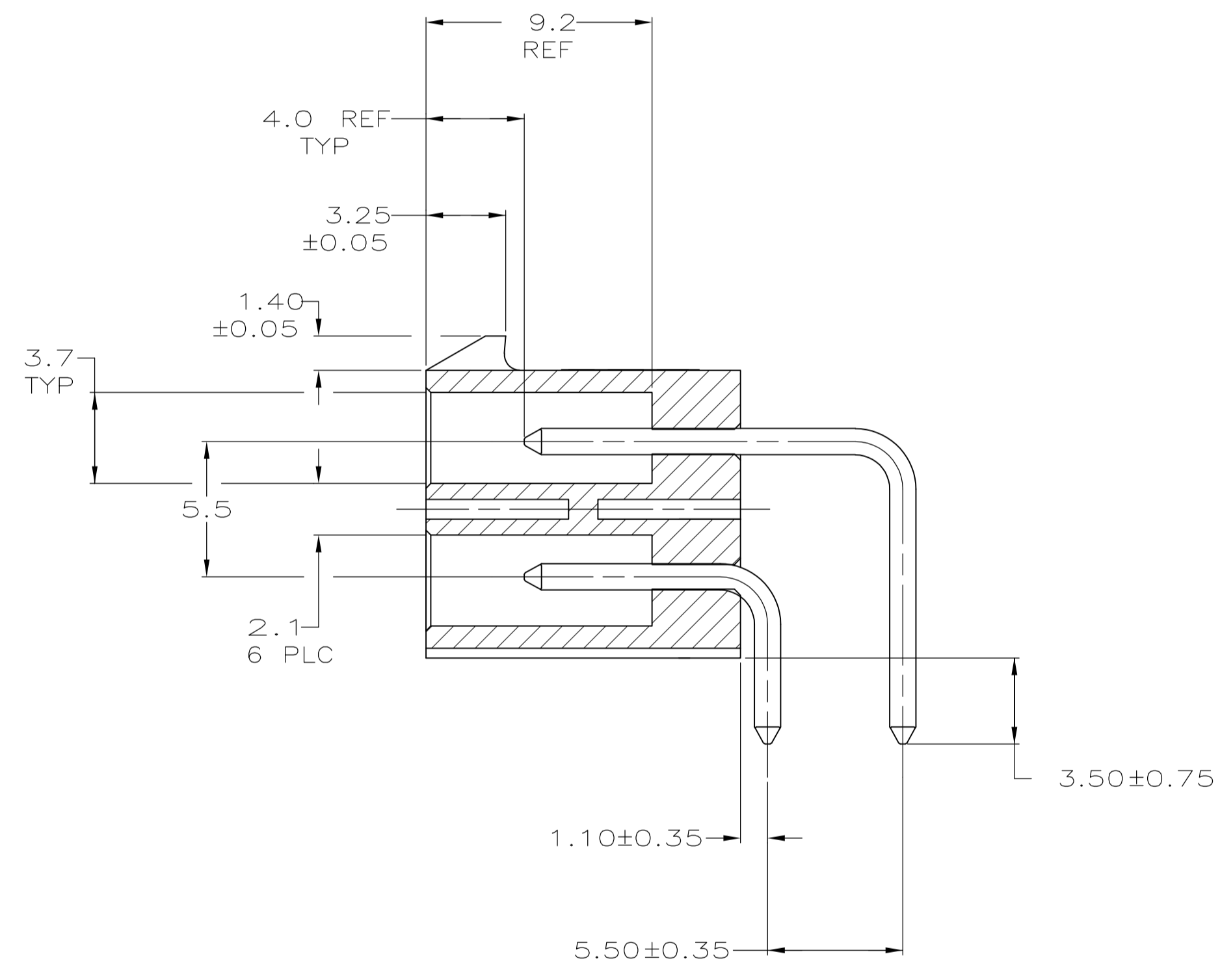
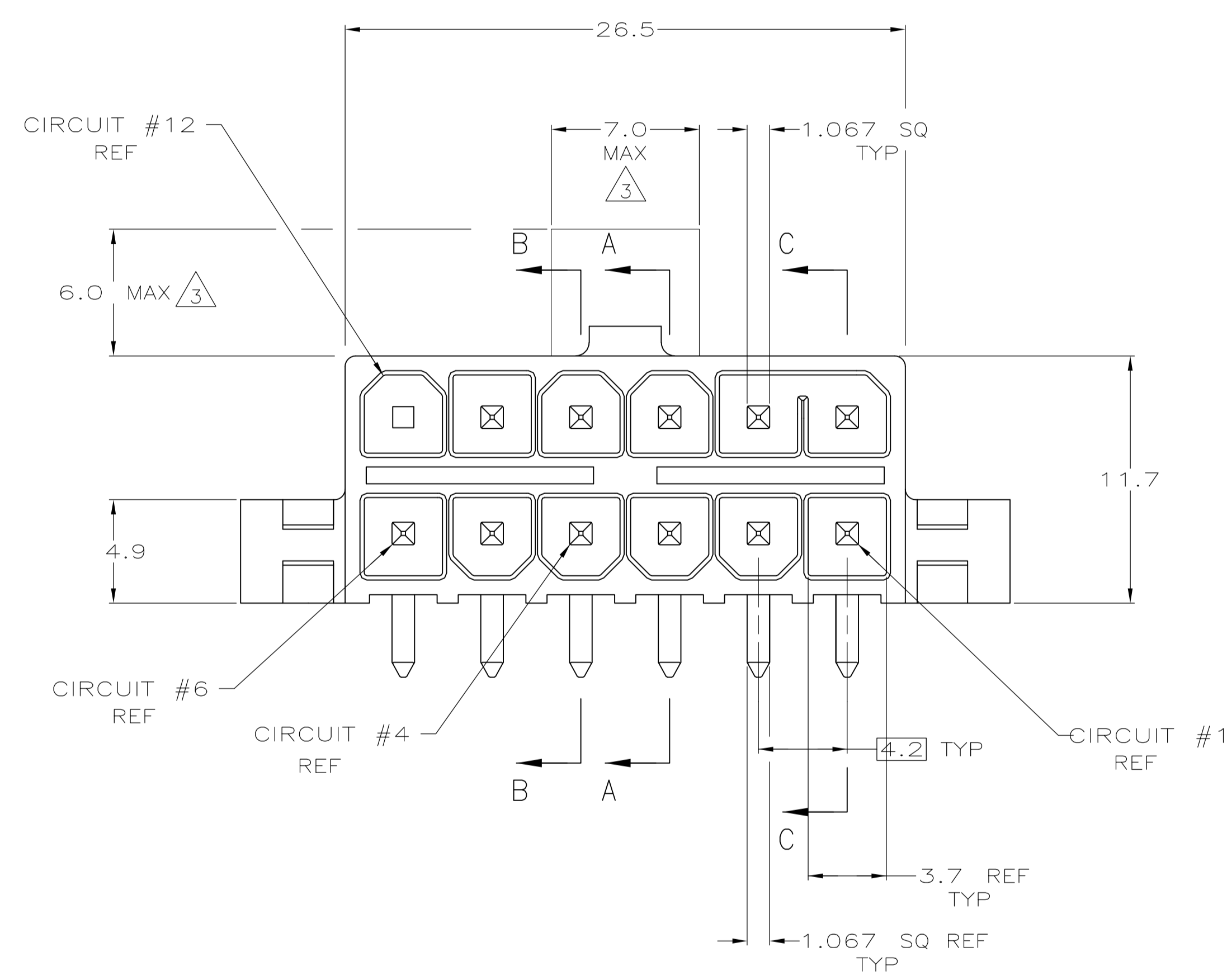


LOC		DIST		REVISIONS			
GP	00	REV	DATE	BY	CHK	APPV	REV
M3		REVISED PER ECO-09-014467	15SEP09	HMR		MS	
M4		REVISED PER ECO-10-000443	18JAN10	KK		HMR	

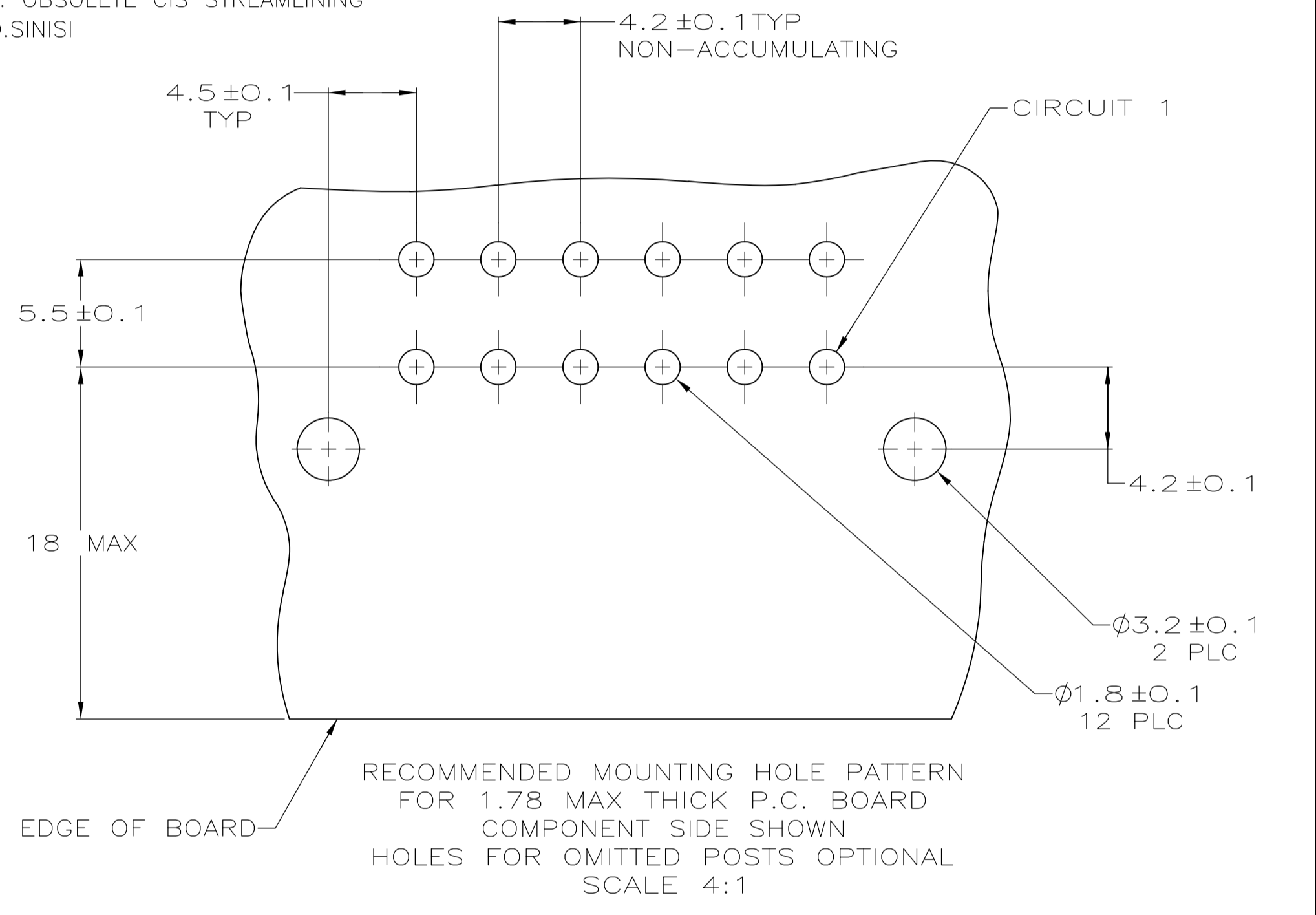


SECTION B-B

- 1 CONTACT: 0.00076 GOLD AT INTERFACE. 0.00254 MIN TIN-LEAD ON SOLDER TAIL. 0.00127 MIN NICKEL UNDERPLATE ALL OVER.
- 2 MATES WITH AMP-DUAC/PL PLUG RECEPTACLE 794156 AND ITS CONTACTS.
- 3 CLEARANCE ENVELOPE FOR MATING PLUG RECEPTACLE LATCH.
- 5 ALL POSTS STANDARD.
- 6 CONTACT GROUND POST LOCATED IN CIRCUIT 4.
- 7 POST 10 OMITTED.
- 8 POST 12 OMITTED.
- 9 POST 2,5,7,12 OMITTED.
- 10 POST 5 OMITTED.
- 11 CONTACT GROUND POST LOCATED IN CIRCUITS 3 AND 4.
- 12 POSITIONS 1 AND 12 MOLDED SHUT.
- 13 POSITIONS 5, 10 AND 12 OMITTED.
- 14 OBSOLETE PARTS: OBSOLETE CIS STREAMLINING PER D.RENAUD/D.SINISI

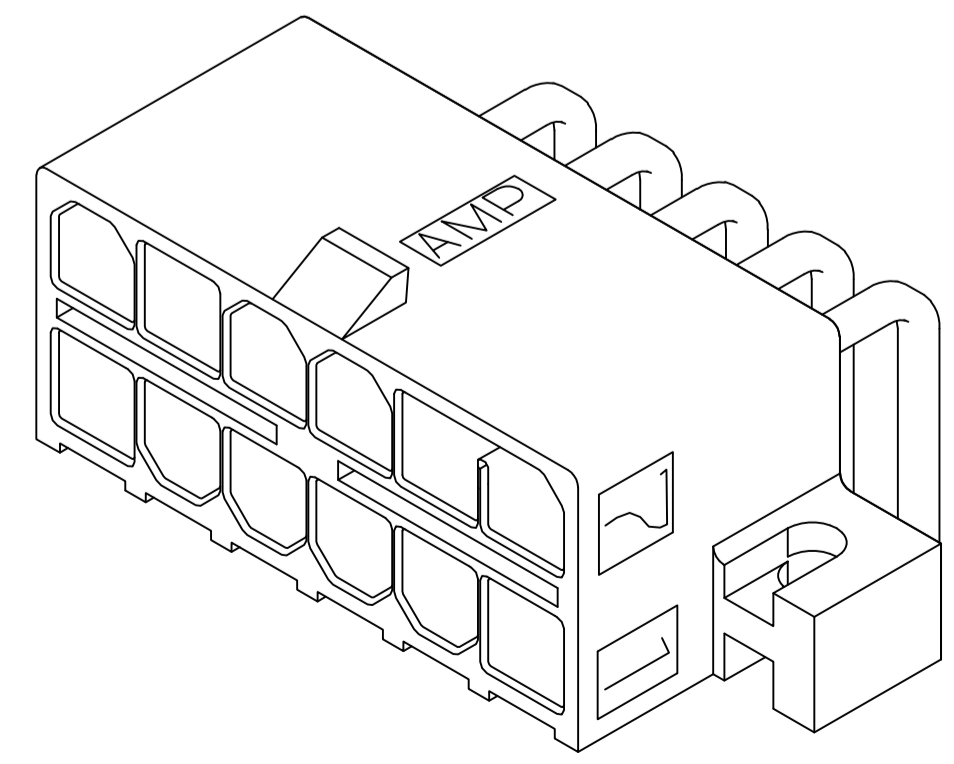


SECTION A-A

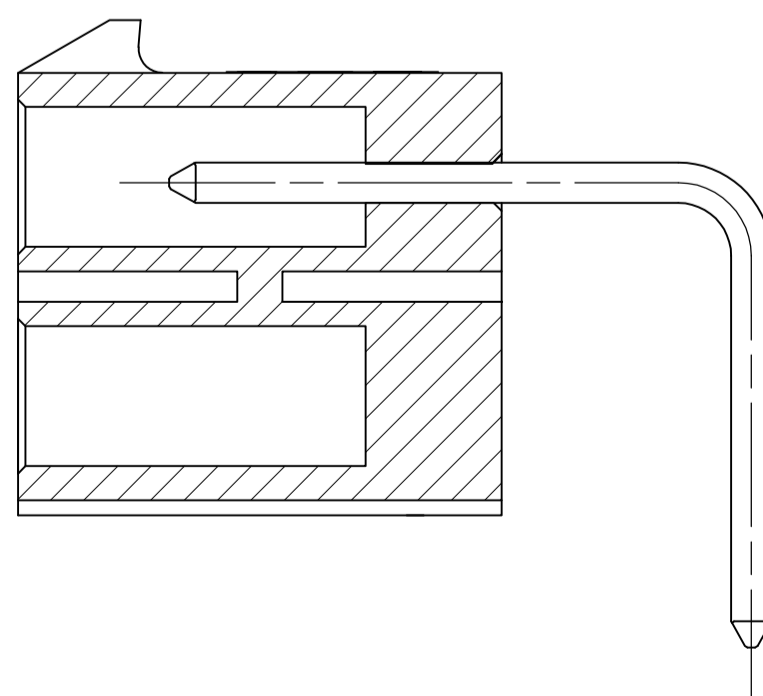


RECOMMENDED MOUNTING HOLE PATTERN FOR 1.78 MAX THICK P.C. BOARD COMPONENT SIDE SHOWN HOLES FOR OMITTED POSTS OPTIONAL SCALE 4:1

794176-5 SHOWN



3-DIMENSIONAL MODEL NTS



SECTION C-C APPLIES TO -8 ONLY

PIN	MATERIAL	FINISH	MATERIAL	HOUSING COLOR	PART NUMBER
6, 13	SUP BY 5794176-8	BRASS	1	PBT, UL94V-0 NATURAL(WHITE)	794176-9
6, 10, 12	OBSOLETE	BRASS	1	PBT, UL94V-0 NATURAL(WHITE)	794176-8
6, 10		BRASS	1	PBT, UL94V-0 NATURAL(WHITE)	794176-7
11		BRASS	1	PBT, UL94V-0 NATURAL(WHITE)	794176-6
6, 8		BRASS	1	PBT, UL94V-0 NATURAL(WHITE)	794176-5
6, 7		BRASS	1	PBT, UL94V-0 NATURAL(WHITE)	794176-4
6		BRASS	1	PBT, UL94V-0 NATURAL(WHITE)	794176-3
14, 5	SUP BY 5794176-2	BRASS	1	PBT, UL94V-0 NATURAL(WHITE)	794176-2

METRIC

THIS DRAWING IS A CONTROLLED DOCUMENT.		DIN 8-29-97		Tyco Electronics Corporation	
DIMENSIONS: mm		TOLERANCES UNLESS OTHERWISE SPECIFIED:		Tyco Electronics Corporation Harrisburg, PA 17105-3608	
0 PLC	±	0.13	±	NAME: HEADER ASSEMBLY, RIGHT ANGLE, 12 CIRCUIT, AMP-DUAC/PL(TM) POWER CONNECTOR	
1 PLC	±	0.2	±	SIZE: 108-1646	
2 PLC	±	0.13	±	APPLICATION SPEC: 114-6067	
3 PLC	±	0.13	±	WEIGHT: -	
4 PLC	±	0.13	±	RESTRICTED TO: -	
ANGLES	±	0° 30'	±	CUSTOMER DRAWING	
MATERIAL SEE TABLE		FINISH SEE TABLE		SCALE: 5:1 SHEET 1 OF 1 REV M4	