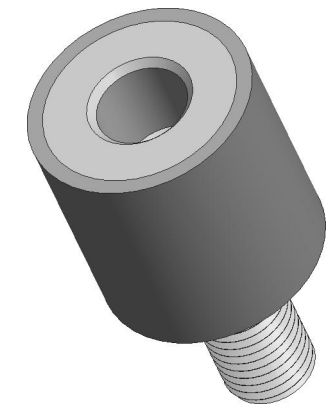
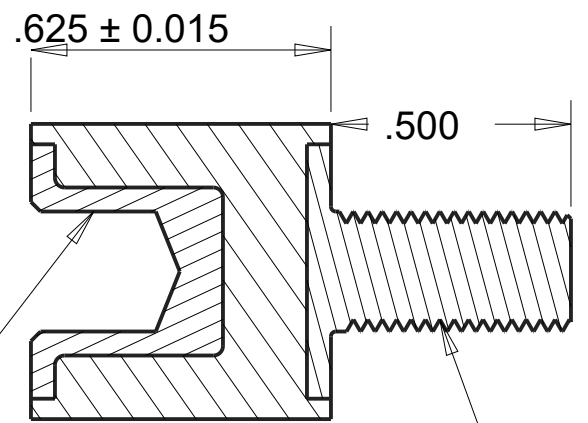
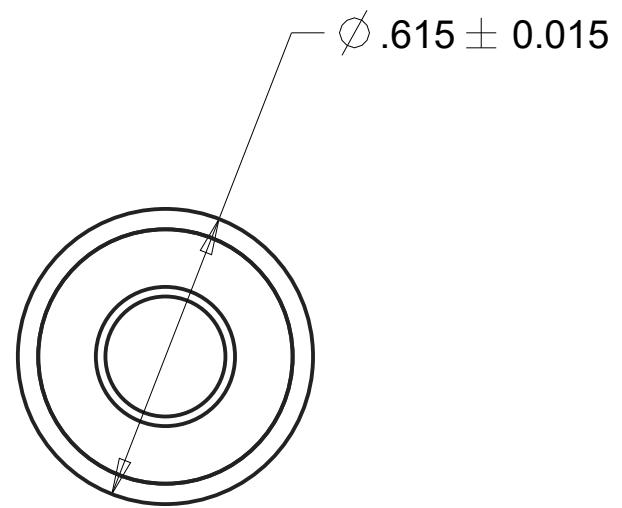




REVISIONS				
DRAWN	REV	DESCRIPTION	DATE	APPROVED
CP	01	INITIAL DESIGN	6/28/17	MS



GROUP 3 FEMALE
INSERT 1/4" -
20 UNC-2B

SECTION A-A

GROUP 3 MALE INSERT 1/4"-20 UNC-2A

SCALE 2.500

NOTES:

1. CONTACT AREAS MUST BE 100% BONDED.

INSERTS:

MALE INSERT P/N: 021-1409

FEMALE INSERT P/N: 021-1410

MATERIAL: S.A.E 1018 STEEL

FOR COATING DETAILS, SEE INSERT DRAWING.

MATERIAL:	AEARO TECHNOLOGIES LLC * a 3M company		
ISOLOSS SL-20300	QUALITY CONTROL: MUST COMPLY WITH AEARO TECHONLGIES LLC SUPPLIER QUALITY MANUAL REQUIREMENTS	TITLE SANDWICH MOUNT, GROUP 3, MALE-FEMALE, ISOLOSS SL-20300	
UNITS: IN	NOTES: ANY FEATURE NOT DIMENSIONED IN PRINT MUST BE VISIBLY PRESENT, UTILIZE 3D CAD FOR CREATION	SIZE B	ITEM CODE DWG NO. MF-300-UC25-SL20300