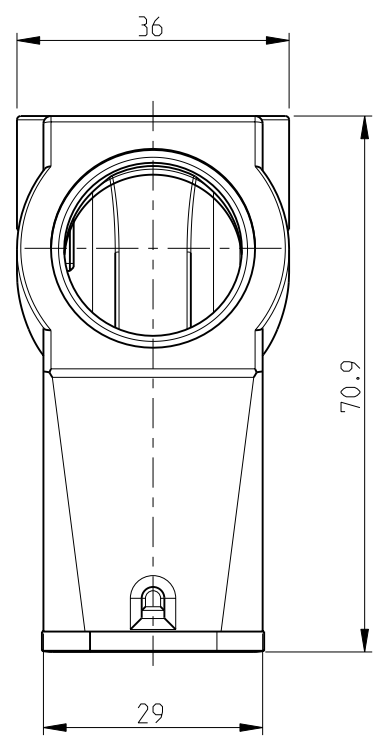
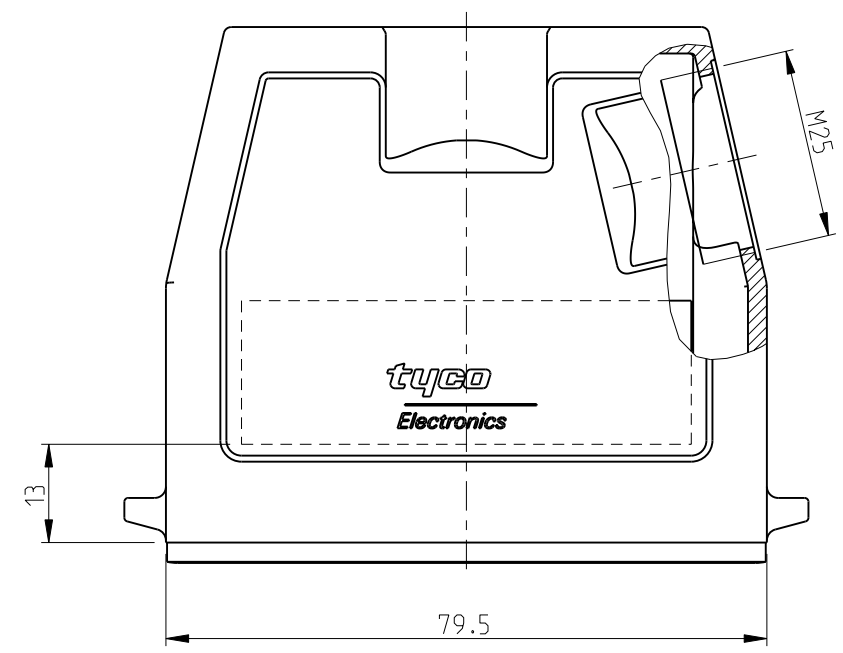


THIS DRAWING IS UNPUBLISHED. RELEASED FOR PUBLICATION 2000
 © COPYRIGHT 2000 BY TYCO ELECTRONICS CORPORATION. ALL RIGHTS RESERVED.

LOC	DIST	REVISIONS			
P	LTR	DESCRIPTION	DATE	DWN	APVD
A1	-	C1	ECR-10-008207	22APR2010	VG GW

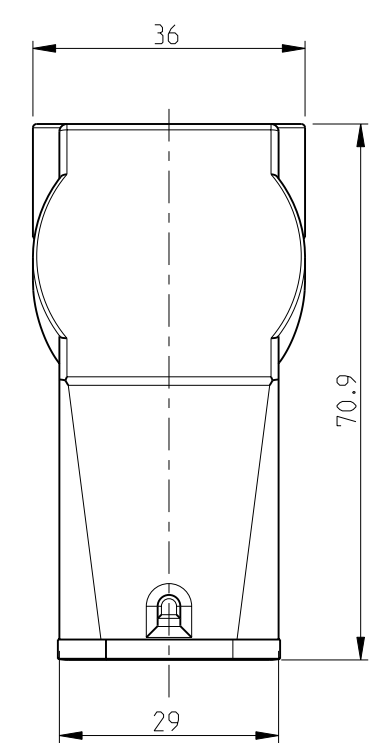
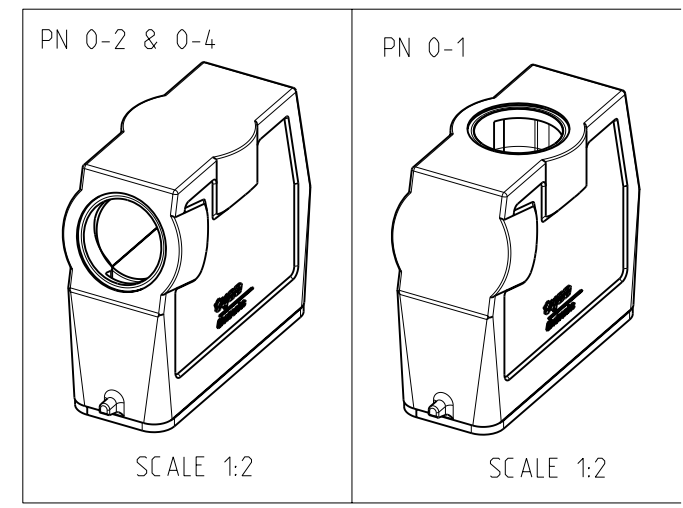


PN 0-2 & 0-4

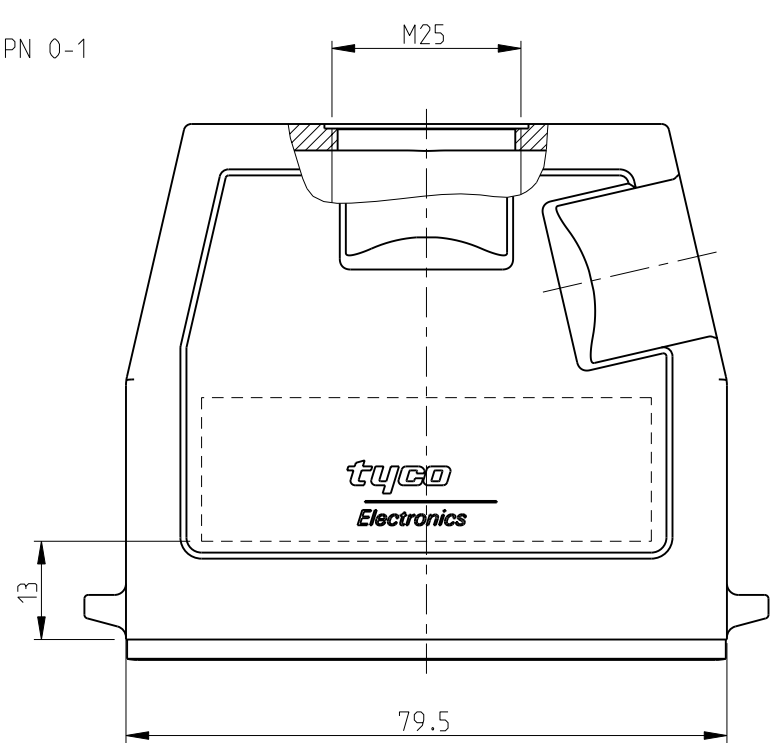


NOTES

- 1 PACKAGING QUANTITY: 5 PIECES IN A BOX
- 2 MATERIAL: HOUSING : ALUMINIUM DIE CAST ALLOY
SEALS NEPORENE
- 3 SURFACE VARNISH GREY
ALUMINIUM OXIDE + VARNISH BLACK
- 4 VARNISH ON THE INSIDE NOT NECESSARY



PN 0-1



QTY	REV	DESCRIPTION	MATERIAL	SURFACE	COLOR	ITEM NO	REMARKS
1	-	CONNECTOR HOUSING	ALUMINIUM	ALUMINIUM OXID	BLACK	4	WITHOUT LOGO
1	1	PROFILE SEAL	NEOPRENE		BLACK	3	
-	1	CONNECTOR HOUSING -HD-K	ALUMINIUM	ALUMINIUM OXID	BLACK	2	
-	-	CONNECTOR HOUSING -HD	ALUMINIUM		GREY	1	
0-5	0-4	0-2	0-1				
			HD.25.STO.1.M25.G				
			HD.25.STS.1.M25.G				
			HD-K.25.STS.1.M25.G				
			HD.25.ST-N				

THIS DRAWING IS A CONTROLLED DOCUMENT FOR TYCO ELECTRONICS CORPORATION
 IT IS SUBJECT TO CHANGE AND THE CONTROLLING ENGINEERING ORGANIZATION
 SHOULD BE CONTACTED FOR THE LATEST REVISION.

DIMENSIONS:	TOLERANCES UNLESS OTHERWISE SPECIFIED:
mm	n. ISO 8015 n. ISO 2768-mH-E DIN 16901-120
	0 PLC ± 1 PLC ± 2 PLC ± 3 PLC ± 4 PLC ± ANGLES ±
MATERIAL	FINISH

DWN	S.KUMAR	4/27/2006	Tyco Electronics.AMP.GmbH 53757.SanktAugustin.Germany
CHK	P.BENNUR	4/27/2006	
APVD	T.SCHNURPFEL	4/27/2006	
PRODUCT SPEC	108-74009		
APPLICATION SPEC	114-74001		
WEIGHT	-		
CUSTOMER DRAWING			RESTRICTED TO
SCALE	1:1	SHEET	1 OF 1
REV	C1		