

4

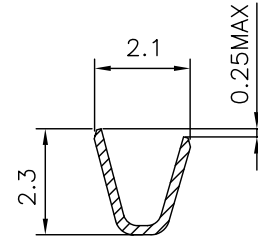
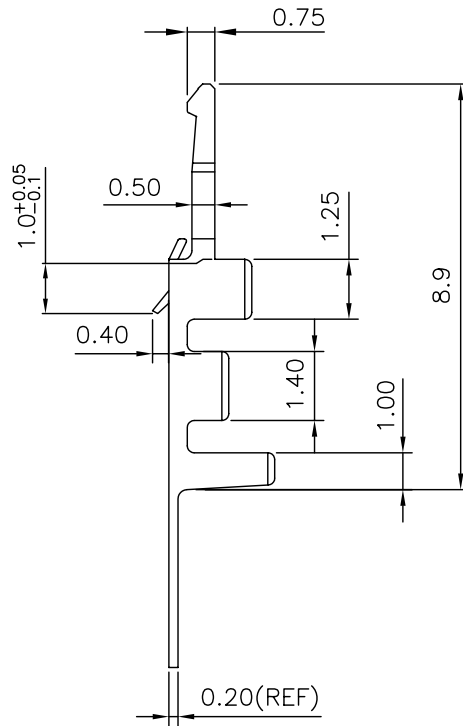
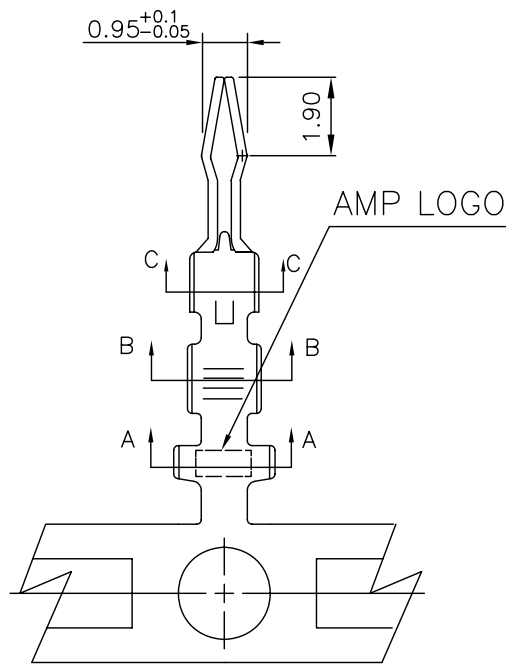
3

2

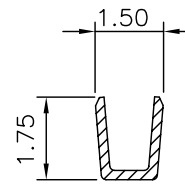
1

THIS DRAWING IS UNPUBLISHED. RELEASED FOR PUBLICATION AUG 2006.  
 © COPYRIGHT 2009 BY TYCO ELECTRONICS CORPORATION. ALL RIGHTS RESERVED.

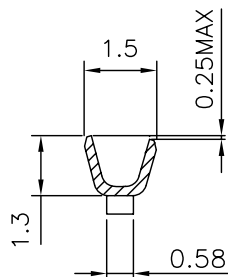
LOC	DIST	REVISIONS			
P	LTR	DESCRIPTION	DATE	DWN	APVD
DW	-				
	A	REVISED (ECR-09-012037)	27MAY09	JL	WK



SEC A-A



SEC C-C



SEC B-B

NOTE:

- MATERIAL :  
TERMINAL: BRASS.
- FINISHED :  
TERMINAL: 1.27um [50u"] MIN. TIN ON SOLDER TAILS,  
0.381um [15u"] MIN. NICKEL UNDERPLATED  
ALL OVER.
- ACCEPTS HOUSING: X-1470201-X.

1470202-1
PART NUMBER

THIS DRAWING IS A CONTROLLED DOCUMENT.		DWN J. LAI 27MAY2009	Tyco Electronics Corporation Taipei, Taiwan	
DIMENSIONS: MM		CHK S. CHIEN 27MAY2009	Tyco Electronics	
TOLERANCES UNLESS OTHERWISE SPECIFIED:		APVD W. KODAMA 27MAY2009	NAME	
0 PLC ± -		108-57158		
1 PLC ± 0.20		2.0 MM PITCH, CRIMP, VERTICAL, CONTACT.		
2 PLC ± 0.10		APPLICATION SPEC		
3 PLC ± 0.05		501-57248		
4 PLC ± -		SIZE CAGE CODE DRAWING NO		
ANGLES ± -		A3 00779 G=1470202		
MATERIAL SEE NOTE	FINISH SEE NOTE	WEIGHT - GRAMS	RESTRICTED TO -	
CUSTOMER DRAWING		SCALE -	SHEET 1 OF 2	REV A

4

3

2

1

THIS DRAWING IS UNPUBLISHED.

RELEASED FOR PUBLICATION AUG 2006.

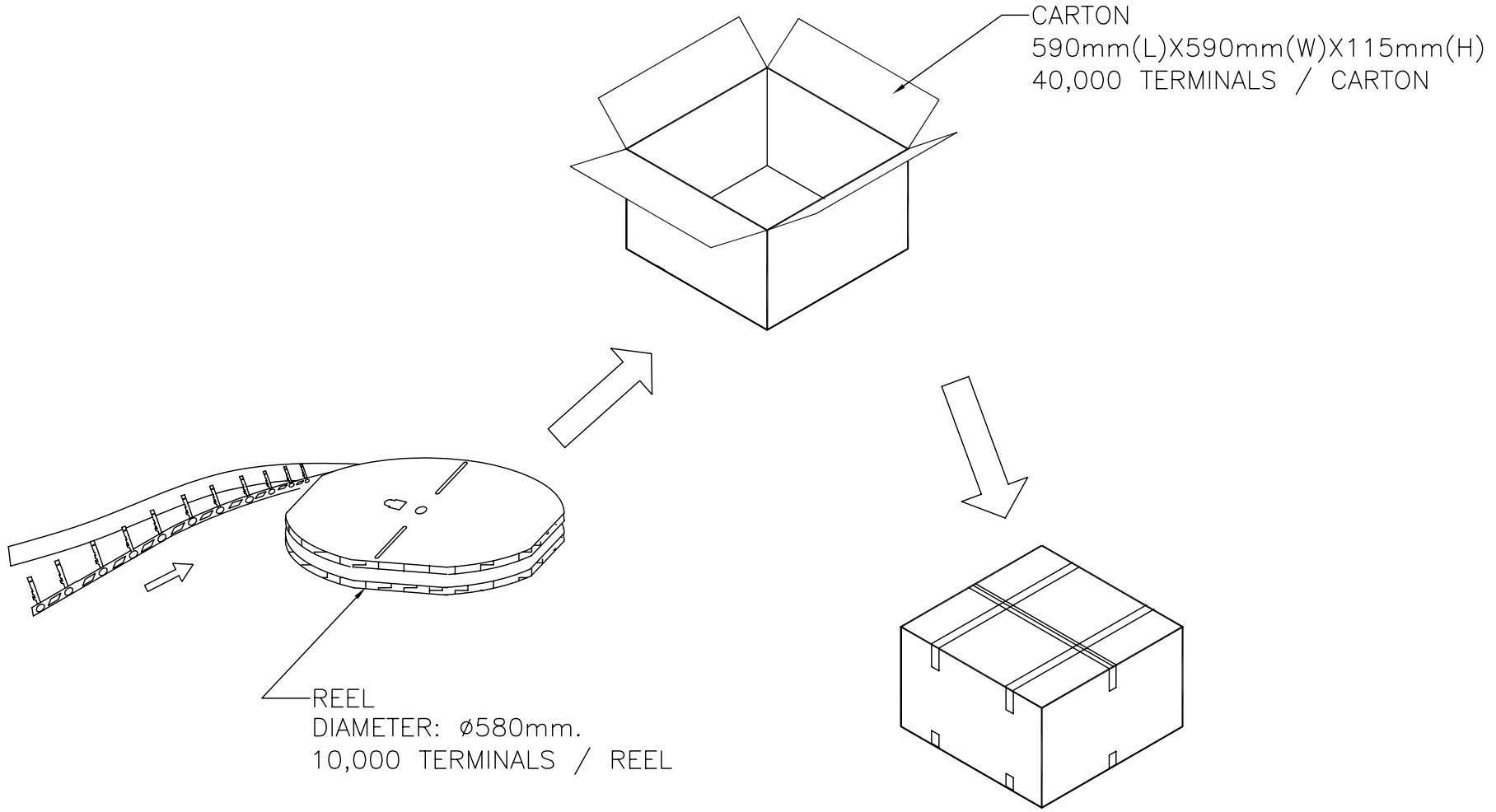
© COPYRIGHT 2009 BY TYCO ELECTRONICS CORPORATION. ALL RIGHTS RESERVED.

LOC  
DW

DIST

REVISIONS

P	LTR	DESCRIPTION	DATE	DWN	APVD
		SEE SHEET 1.			



THIS DRAWING IS A CONTROLLED DOCUMENT.		DWN		Tyco Electronics Corporation Taipei, Taiwan	
DIMENSIONS: MM		TOLERANCES UNLESS OTHERWISE SPECIFIED:		NAME	
		0 PLC ± -		2.0 MM PITCH, CRIMP, VERTICAL, CONTACT.	
		1 PLC ± -		SIZE	
		2 PLC ± -		CAGE CODE	
		3 PLC ± -		DRAWING NO	
4 PLC ± -		4 ANGLES ± -		RESTRICTED TO	
MATERIAL		FINISH		A3 00779 G=1470202	
				CUSTOMER DRAWING	
				SCALE - SHEET 2 OF 2 REV A	