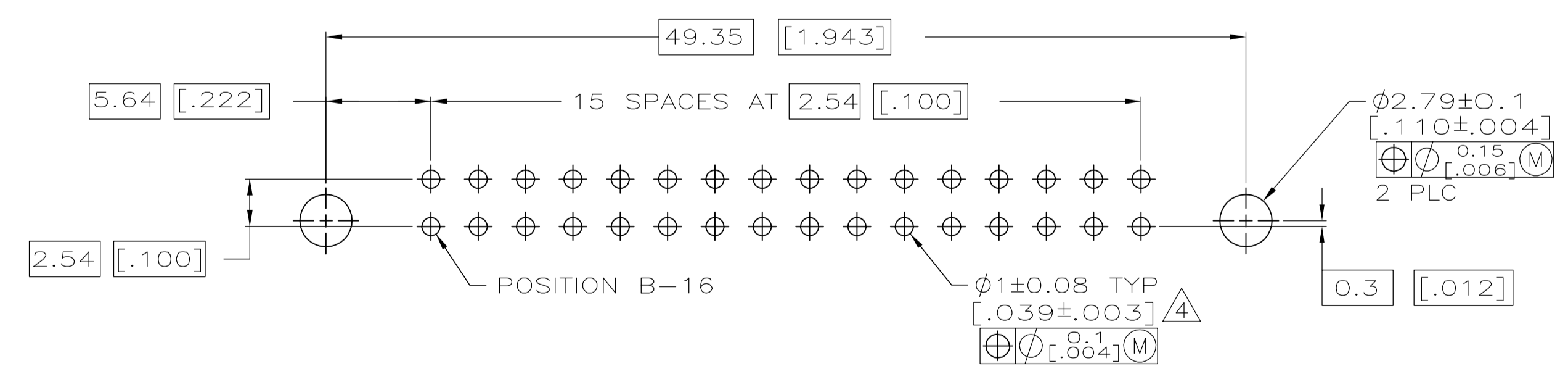
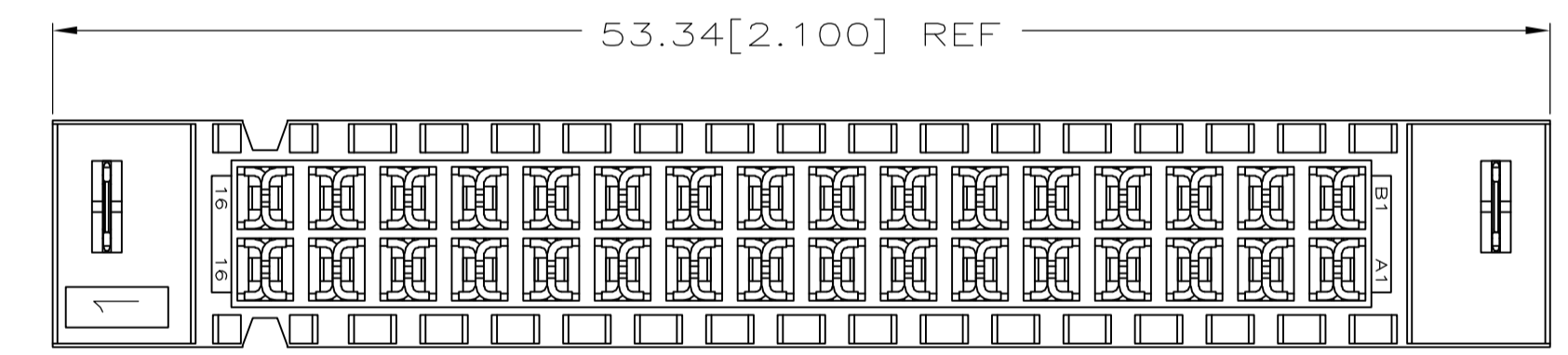
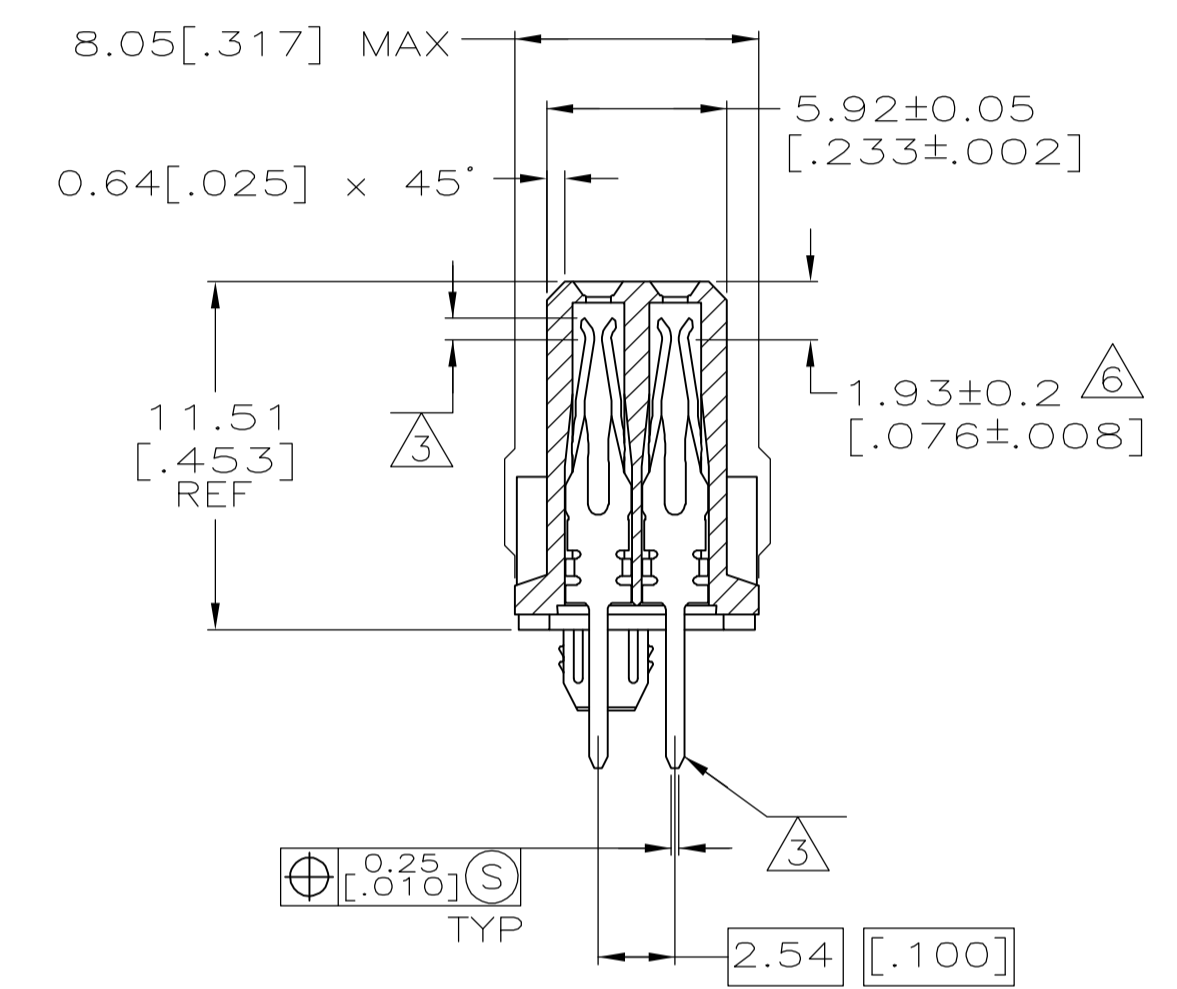
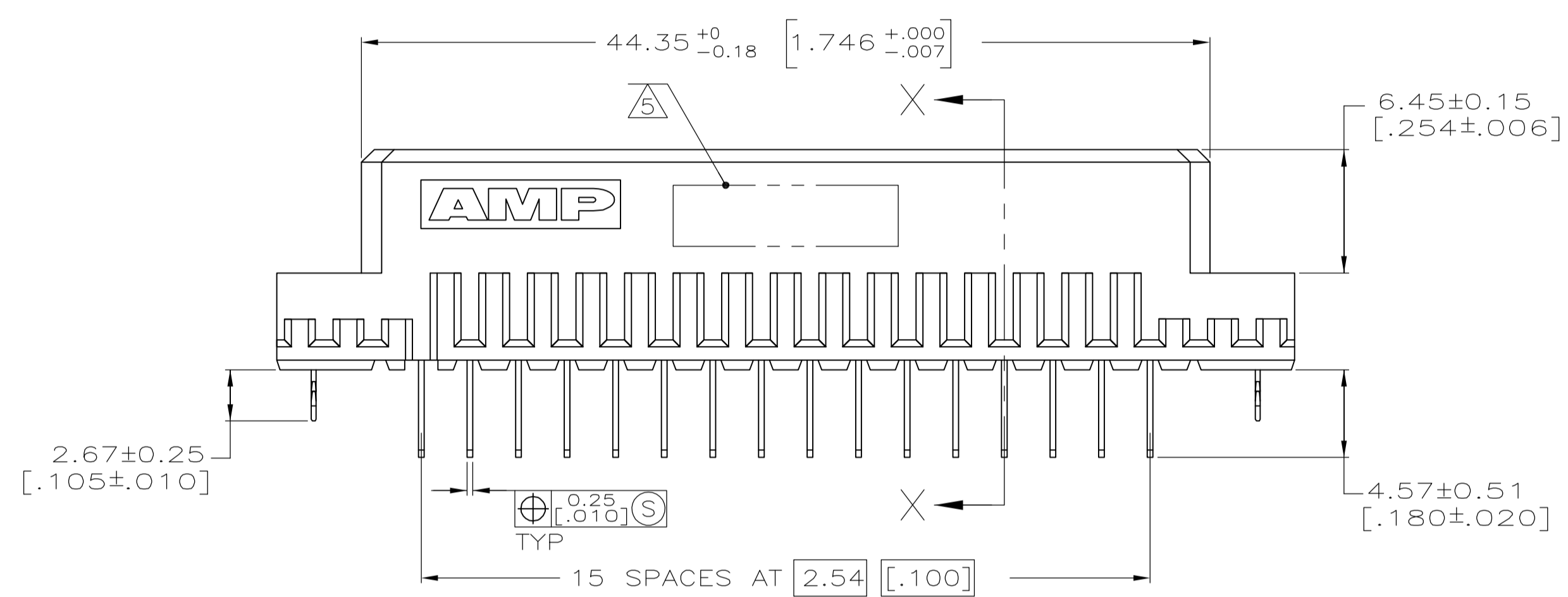
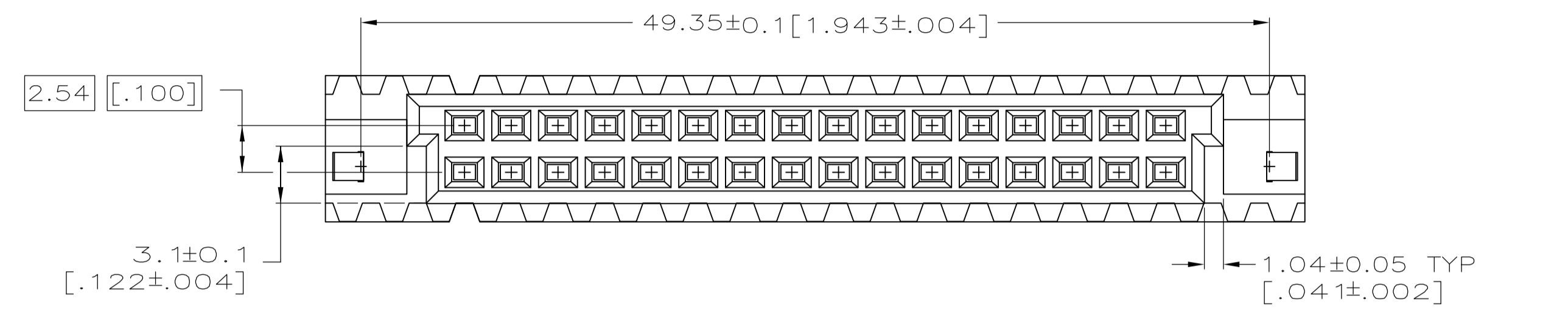


- 1 HOUSING MATERIAL: GLASS-FILLED POLYMER.
- 2 CONTACT MATERIAL: COPPER ALLOY.
- 3 CONTACT FINISH: DIN 41612 CLASS 2 IN CONTACT AREA. TIN PLATE ON POSTS.
- 4 RECOMMENDED HOLE SIZE FOR MANUAL APPLICATION OF CONNECTOR ONTO PC BOARD.
- 5 PART NUMBER, DATE CODE IDENTIFICATION, CSA LOGO IN THIS APPROXIMATE AREA ON OPPOSITE SIDE SHOWN.
- 6 CONTACT POINT.



PC BOARD LAYOUT

| | | | | |
|------------------|-------------|---|-------------------------|------------------|
| 1-16 | X | X | 32 | 5536461-5 |
| POSITIONS LOADED | B | A | NO. OF LOADED POSITIONS | ASSY PART NUMBER |
| | ROWS LOADED | | | |

| | | | |
|--|-----------|--------------------------|--|
| THIS DRAWING IS A CONTROLLED DOCUMENT. | | DIN J. POLIGNONE 27MAY05 | Tyco Electronics Corporation Harrisburg, Pa 17105-3608 |
| DIMENSIONS: mm [INCHES] | | GIK A. SHARPE 27MAY05 | |
| TOLERANCES UNLESS OTHERWISE SPECIFIED: | | APVD A. SHARPE 27MAY05 | NAME |
| 0 PLC ± - | 1 PLC ± - | 2 PLC ± - | ASSEMBLY, RECEPTACLE, EUROCARD, TYPE B, LEAD-FREE, 32 POSITION, 4.57[.180] SOLDER POSTS WITH BOARD-LOCKS |
| 3 PLC ± 0.13[.005] | 4 PLC ± - | ANGLES ± - | APPLICATION SPEC |
| MATERIAL | FINISH | WEIGHT | SIZE CAGE CODE DRAWING NO |
| | | | A1 00779 C=5536461 |
| CUSTOMER DRAWING | | SCALE 4:1 | SHEET 1 OF 1 REV 0 |