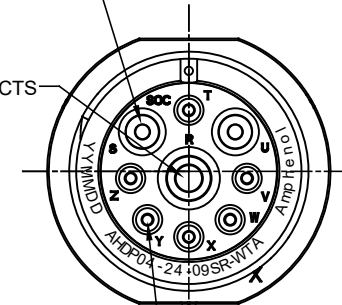


REVISIONS					
REV	ECO	DESCRIPTION	DATE	BY	APPR
A1	--	RELEASE NEW DRAWING	07APR17	JONY	TOMMY

△ 6 SIZE 08 CONTACTS  
(2 PLACES)

△ 6 SIZE 04 CONTACTS  
(1 PLACE)



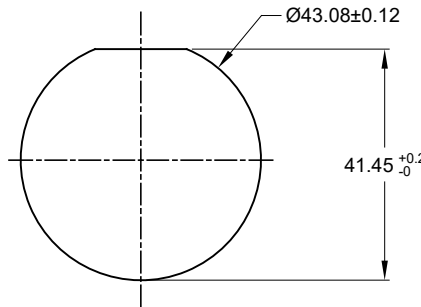
△ 6 SIZE 12 CONTACTS  
(6 PLACES)

NOTES: UNLESS OTHERWISE SPECIFIED

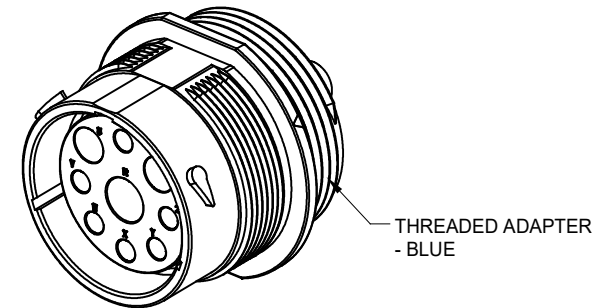
- MATERIAL:  
HOUSING: THERMOPLASTIC; BLACK  
SEAL: SILICONE RUBBER
- MODIFICATIONS: THREADED ADAPTER;  
REDUCED DIA. WIRE SEAL
- SPECIFICATIONS:  
3.1 OPERATING TEMPERATURE: -55°C TO +125°C.  
3.2 DIELECTRIC WITHSTANDING VOLTAGE: LESS THAN 2 MILLIAMPS CURRENT LEAKAGE @ 1500 VOLTS AC.  
3.3 INSULATION RESISTANCE: 1000 MEGOHM MIN @ 25°C.  
3.4 MOISTURE RESISTANCE: IP67&IP69K ( MATED CONDITION ).  
3.5 MATING CYCLE DURABILITY: 100 CYCLES  
3.6 RoHS COMPLIANT
- MATING PART: AHDP06-24-09P\* (\* = SEAL TYPE )
- ALL DIMENSIONS ARE FOR REFERENCE USE ONLY.

△ 6 CONTACT SIZE AND WIRE RANGE:

CONTACT SIZE	MIN. INSUL O.D.	MAX. INSUL O.D.	TYPICAL WIRE RANGE	CURRENT RATING
04	6.63 mm (.261 in)	7.42 mm (.292 in)	6 AWG	100 AMPS
08	3.43 mm (.135in)	5.59 mm (.220 in)	8-10 AWG	60 AMPS
12	2.46 mm (.097in)	4.01 mm (.158 in)	10-14 AWG	25 AMPS



RECOMMENDED PANEL MOUNTING HOLE  
RECOMMENDED PANEL THICKNESS: 1.6 TO 4.7MM



THREADED ADAPTER - BLUE

AHPD04-24-09SR-WTA		DESCRIPTION		ITEM
QUANTITY	PART NUMBER	DESCRIPTION		ITEM
<b>MATERIALS LIST</b>				
UNLESS OTHERWISE SPECIFIED: 1) All dimensions are in metric (mm). 2) Tolerances are as follows: 1 PL DEC ±0.30 Fractions ±1/64 2 PL DEC ±0.15 Angles ±1° 3 PL DEC ±0.08 3) Note reference = △				
SIGNATURES		DATE		
DRAWN: Jony		07APR17		
CHECKED: Orion		07APR17		
ENGINEER:				
APPROVAL: Tommy		07APR17		
MATERIAL SPECIFICATIONS:		CUSTOMER:		
PROCESS SPECIFICATIONS:		THIS DRAWING IS SUPPLIED FOR INFORMATION ONLY. DESIGN FEATURES, SPECIFICATIONS AND PERFORMANCE DATA SHOWN HEREON ARE THE PROPERTY OF THE AMPHENOL CORPORATION. NO RIGHTS OF REPRODUCTION ARE IMPLIED. ALL DIMENSIONS ARE SUBJECT TO NORMAL MANUFACTURING VARIATIONS.		
NEXT ASSY:		SCALE: NONE		
		SIZE: B C-1		DWG NO: AHPD04-24-09SR-WTA
		RECEPTACLE, 24-09 POS, SOCKET CONTACT REDUCED DIA. SEAL, AHDP SERIES		REVISION: A1
		SHEET 1 OF 1		

TITLE: RECEPTACLE, 24-09 POS, SOCKET CONTACT REDUCED DIA. SEAL, AHDP  
DWG NO: AHPD04-24-09SR-WTA  
REV: A1  
SH: 1  
OF: 1