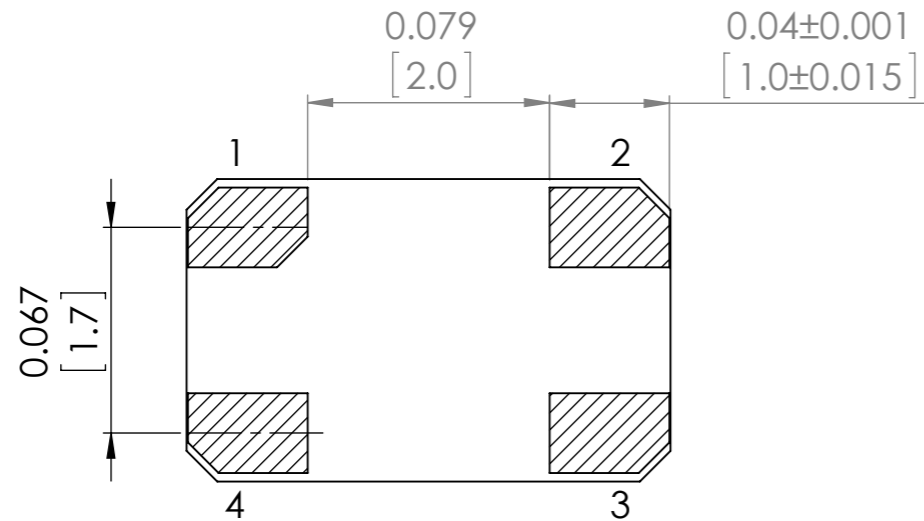
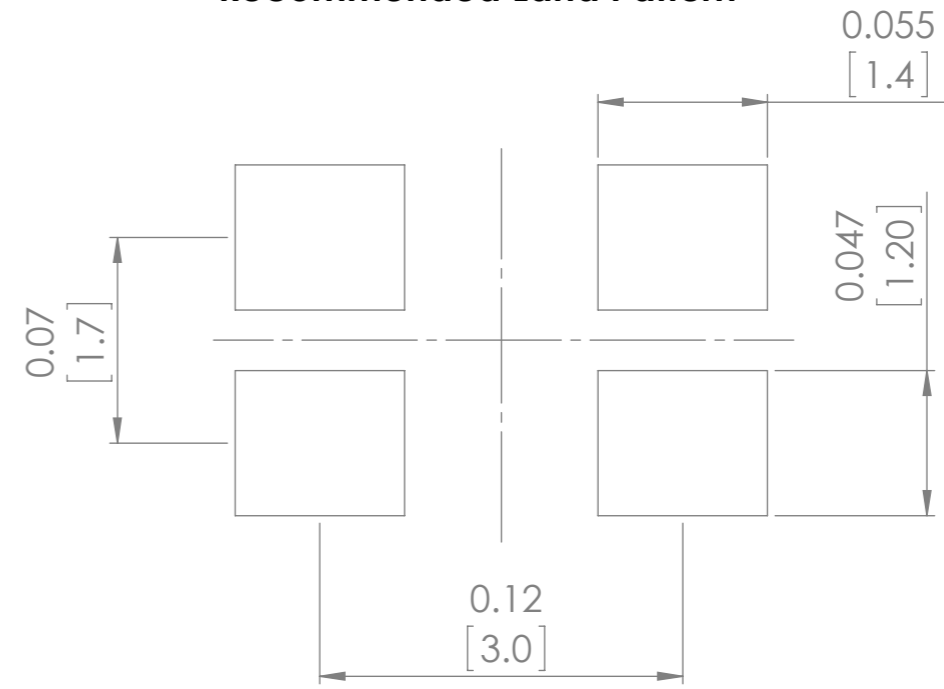
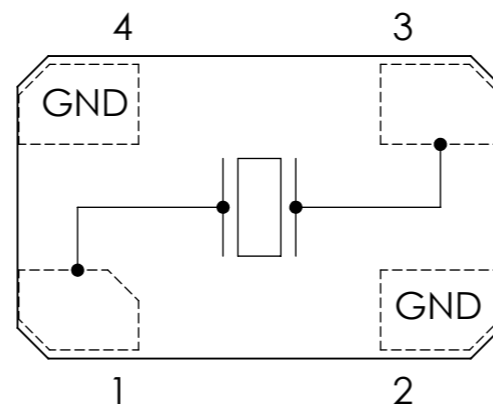


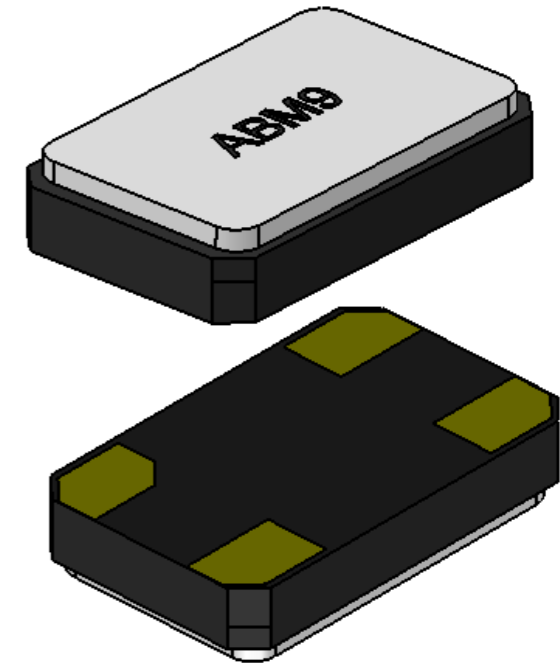
**Recommended Land Pattern**




**Bottom View**



**Top View**



**TOP PACKAGE MARKING IS FOR ILLUSTRATION PURPOSES ONLY**

UNLESS OTHERWISE SPECIFIED: DIMENSIONS ARE IN INCH(MM) SURFACE FINISH: TOLERANCES: LINEAR: ANGULAR:				FINISH:		DEBUR AND BREAK SHARP EDGES		DO NOT SCALE DRAWING		REVISION -	
DRAWN SAAZVAT				SIGNATURE		DATE		 30332 Esperanza, Rancho Santa margarita, California 92688			
CHK'D XXXXXX											
APPV'D								TITLE: Crystal			
MFG								DWG NO. ABM9			
Q.A						MATERIAL:		SCALE:16:1			
						WEIGHT:		SHEET 1 OF 1			
								A3			