

19204

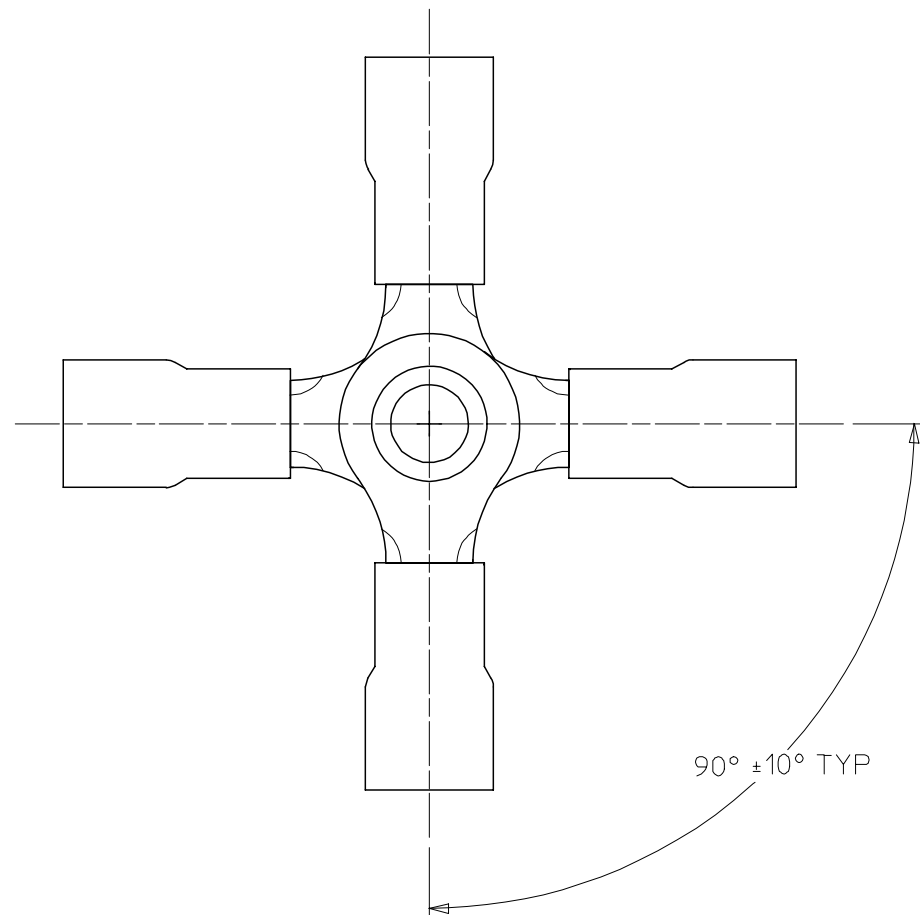
6

5

4

3

2



90° ±10° TYP

SALES DRAWING

D

C

B

A

D

C

B

A

ASSEMBLY NUMBER	
MATERIAL NUMBER	ENGINEERING NUMBER
192040001	A-1XC
192040003	A-2XCX
192040006	A-3XC
192040008	A-5XC
192040011	B-1XC
192040013	B-2XCX
192040015	B-3XC
192040017	B-5XC
192040021	B-8XC
192040023	C-1XC
192040025	C-2XCX
192040027	C-3XC
192040029	C-5XC
192040019	C-8XC
191640284	SA-2XCX
191640041	SB-2XCX
191640285	SC-2XCX

WAS 6525-01/C,-02/C EC NO: ETC2003-0305 DRWN: DMYRICK 2003/05/16 CHKD: RWD 2003/05/16 APPR: RDEROSS 2003/05/16	QUALITY SYMBOLS	GENERAL TOLERANCES (UNLESS SPECIFIED)		SCALE NTS	DESIGN UNITS INCH	THIRD ANGLE PROJECTION	REVISE ON CAD ONLY																	
	- 0 - 0	<table border="1"> <thead> <tr> <th></th> <th>mm</th> <th>INCH</th> </tr> </thead> <tbody> <tr> <td>4 PLACES</td> <td>± ---</td> <td>± ---</td> </tr> <tr> <td>3 PLACES</td> <td>± ---</td> <td>± .005</td> </tr> <tr> <td>2 PLACES</td> <td>± 0.13</td> <td>± .01</td> </tr> <tr> <td>1 PLACE</td> <td>± 0.25</td> <td>± ---</td> </tr> </tbody> </table>		mm	INCH	4 PLACES	± ---	± ---	3 PLACES	± ---	± .005	2 PLACES	± 0.13	± .01	1 PLACE	± 0.25	± ---	DIMENSION STYLE IN/MM		DRAWN BY RWD DATE 03/05/14		TITLE 4-WAY CONNECTOR ASSEMBLY		
		mm	INCH																					
	4 PLACES	± ---	± ---																					
3 PLACES	± ---	± .005																						
2 PLACES	± 0.13	± .01																						
1 PLACE	± 0.25	± ---																						
ANGULAR ±1/2°		CHECKED BY RWD DATE 03/05/14		MOLEX INCORPORATED																				
DRAFT WHERE APPLICABLE MUST REMAIN WITHIN DIMENSIONS		APPROVED BY RWD DATE 03/05/14		MATERIAL NO. (SEE CHART)		DOCUMENT NO. SD-19204-002		SHEET NO. 1 OF 1																
THIS DRAWING CONTAINS INFORMATION THAT IS PROPRIETARY TO MOLEX INCORPORATED AND SHOULD NOT BE USED WITHOUT WRITTEN PERMISSION																								

fb_frame_A rev. B1 2000/08/01

5

4

3

2

1

A