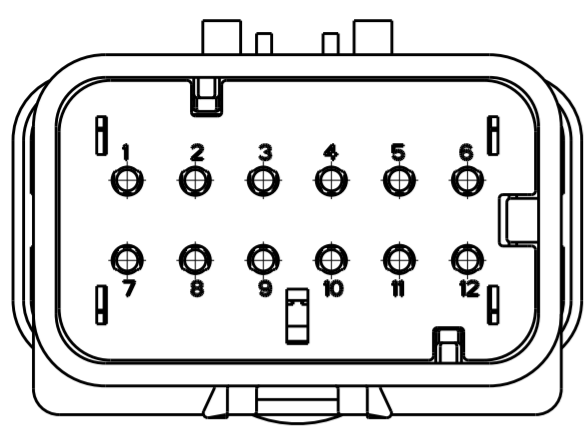
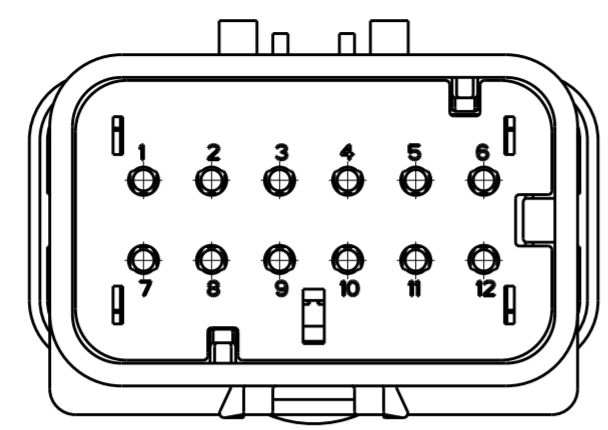


THIS DRAWING IS UNPUBLISHED
 RELEASED FOR PUBLICATION
 COPYRIGHT 20 BY - ALL RIGHTS RESERVED.

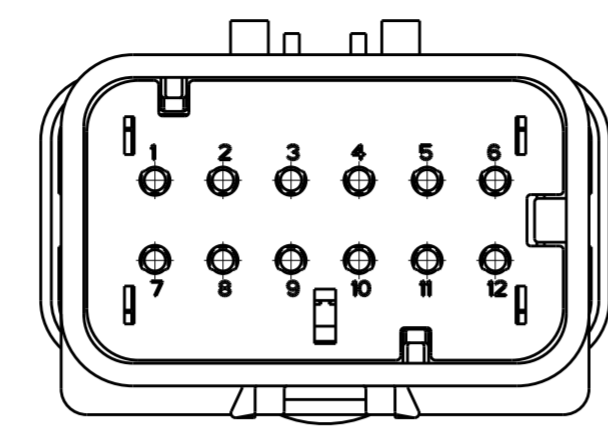
REVISIONS					
P	LTR	DESCRIPTION	DATE	DWN	APVD
A		INITIAL RELEASE PER D09-004	10MAR2009	DD	RB
B		REVISED PER ECO-13-019865	27DEC2013	DR	RB



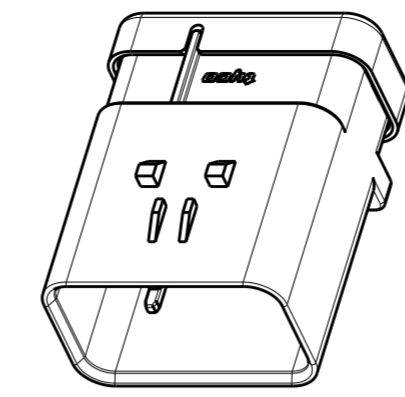
2035560-2
 (KEY B)
 SCALE 2:1



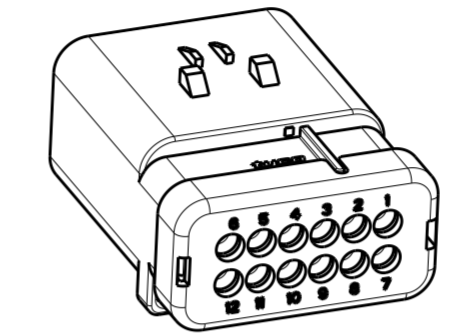
2035560-3
 (KEY C)
 SCALE 2:1



2035560-4
 (KEY D)
 SCALE 2:1

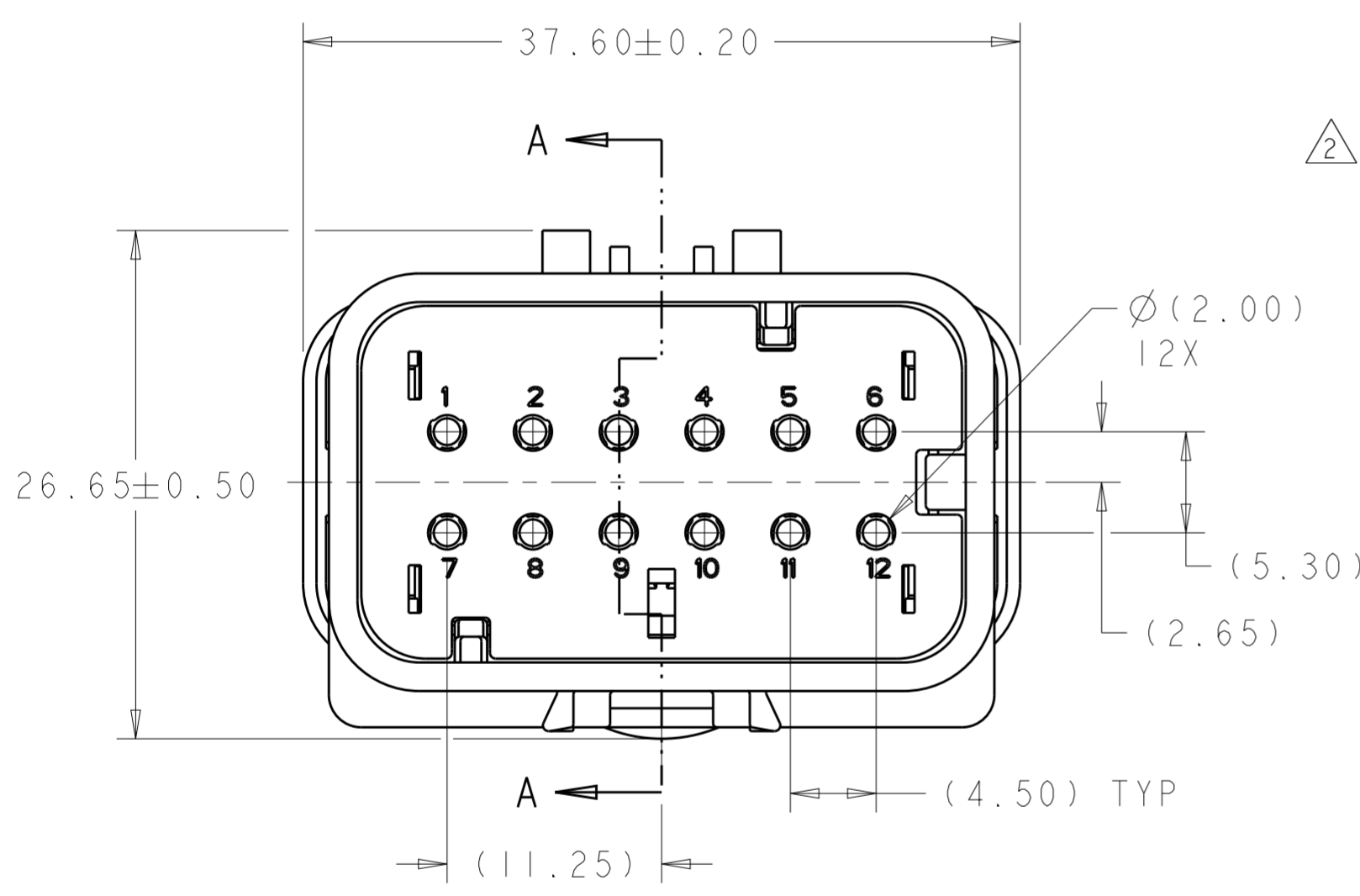


SCALE 1:1

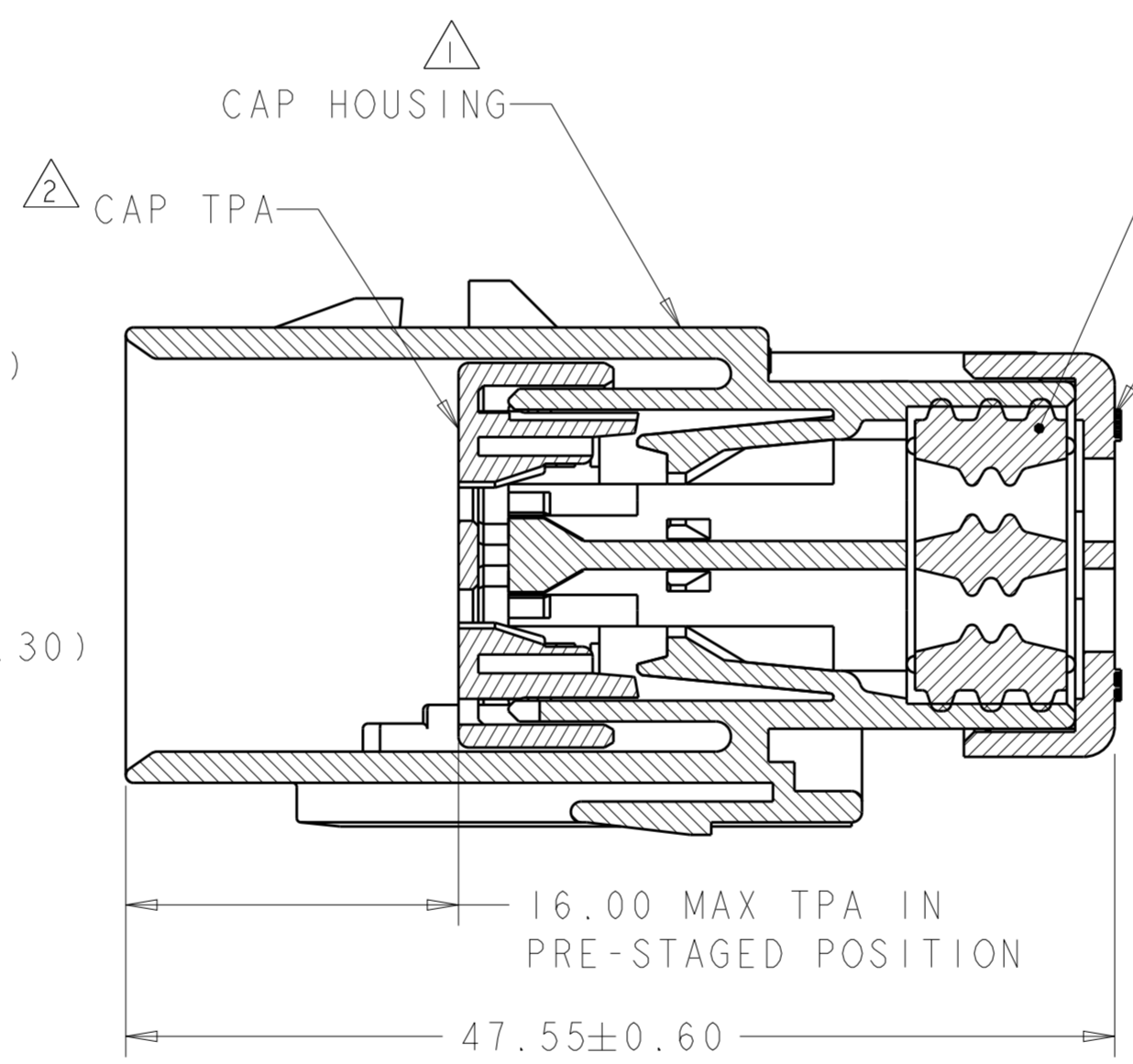


SCALE 1:1

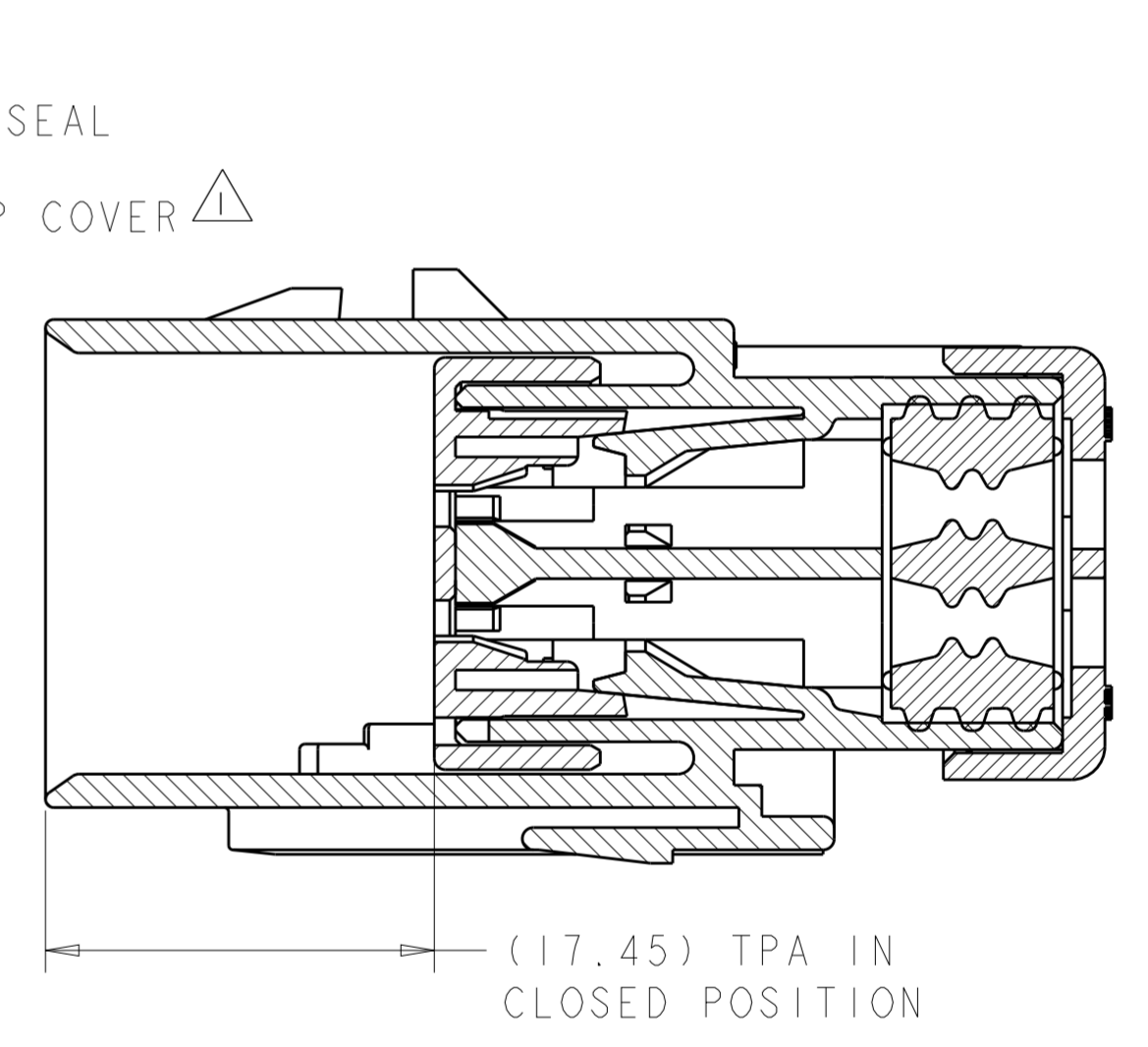
- 1 MATERIAL: 25% GLASS FILLED, NYLON 6/6, VO
 COLOR: NATURAL (BROWN)
- 2 MATERIAL: 20% GLASS FILLED, PBT, VO
 COLOR: (SEE TABLE)
- 3 MATERIAL: SILICONE
 COLOR: GREEN
- 4. RECOMMENDED WIRE DIAMETER RANGE:
 2.18 TO 3.67mm.



2035560-1 SHOWN
 (KEY A)



SECTION A-A



SECTION A-A

TAN	D	2035560-4
BLUE	C	2035560-3
PURPLE	B	2035560-2
ORANGE	A	2035560-1
TPA COLOR	KEY	PART NUMBER

THIS DRAWING IS A CONTROLLED DOCUMENT.		DWN DL DRUMMOND 10FEB2009	TE Connectivity NAME CAP ASSEMBLY, 12 POSITION, DUAL ROW, AMPSEAL 16, VO	
DIMENSIONS: mm		CHK R. BALTER 10FEB2009		
TOLERANCES UNLESS OTHERWISE SPECIFIED:		PRODUCT SPEC 108-2184		SIZE CAGE CODE DRAWING NO RESTRICTED TO
0 PLC ± 1 PLC ± 2 PLC ±0.20 3 PLC ± 4 PLC ± ANGLES ± FINISH ±		APPLICATION SPEC 114-13065		
MATERIAL		WEIGHT 22.5±1g		A200779 SCALE 2:1 SHEET 1 OF 1 REV B
		CUSTOMER DRAWING		