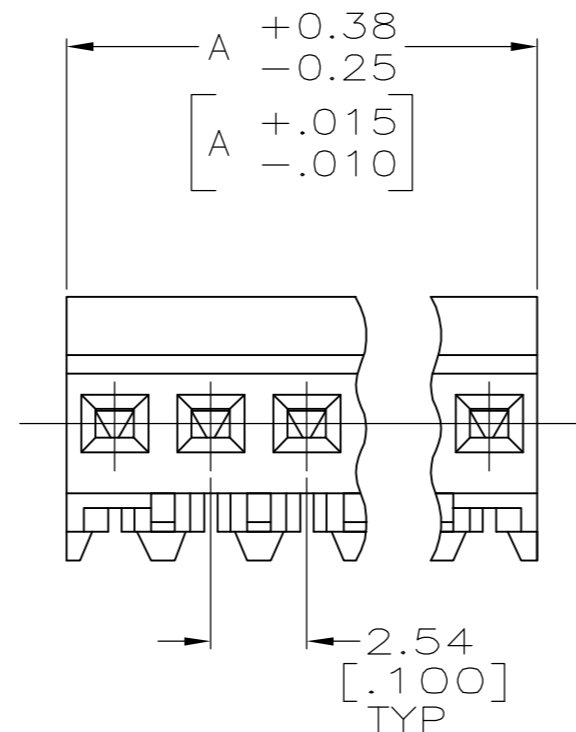
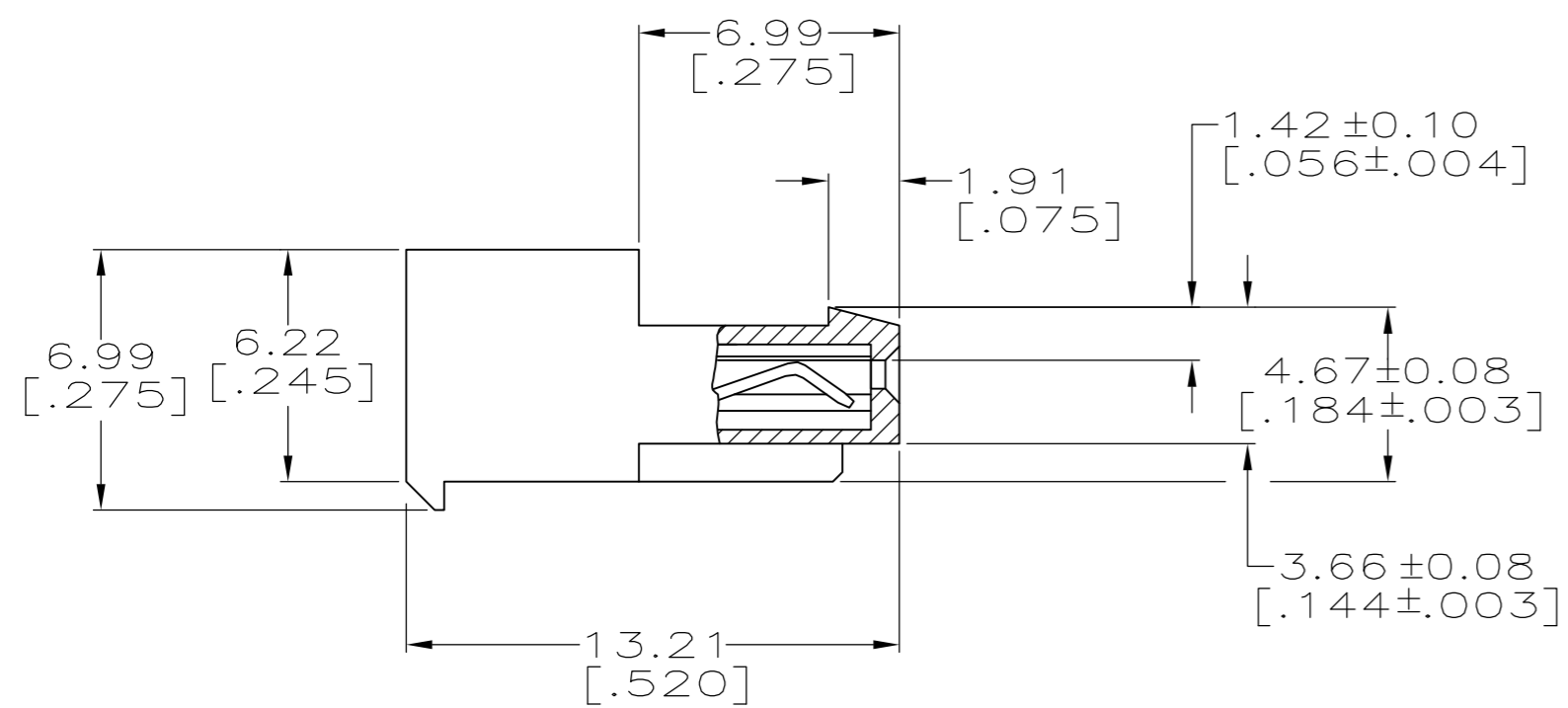
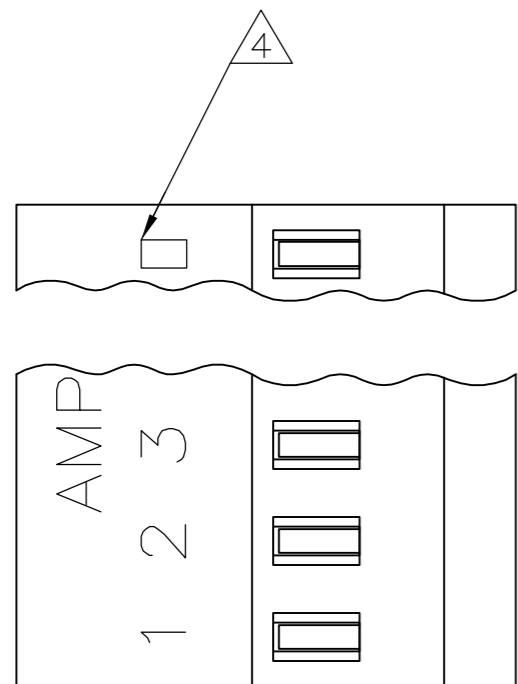


THIS DRAWING IS UNPUBLISHED. RELEASED FOR PUBLICATION. COPYRIGHT BY TYCO ELECTRONICS CORPORATION. ALL RIGHTS RESERVED.

LOC	DIST	REVISIONS			
P	LTR	DESCRIPTION	DATE	DWN	APVD
CM	00	B	REV PER ECO-07-003757	01MAR07	KW DB



1. MATERIAL: CONNECTOR - NYLON UL94V-2 (ORANGE).
CONTACTS - 0.30[.012] THICK COPPER ALLOY
MATTE WHISKER MITIGATED TIN
0.00203[.000080] MIN THICKNESS
OVER NICKEL UNDERPLATE.
2. CONTACTS ACCEPT 22 AWG WIRE WITH 1.52[.060] MAX INSULATION DIAMETER.
3. CONTACTS MUST ACCEPT 0.36-0.51[.014-.020] SQUARE OR ROUND POST AND REMAIN LOCKED IN POSITION.
4. IDENTIFICATION NUMBER FOR LAST CIRCUIT MAY NOT APPEAR ON ALL ASSEMBLIES.
5. DIMENSIONS IN BRACKETS ARE IN INCHES.
6. HOUSING FEATURES ARE: CLOSED END WITH LOCKING RAMP & LED CONTACT.

YES	7.62 [.300]	3	644801-3
LEADFREE	DIM A	NO. OF CIRCUITS	PART NO.

THIS DRAWING IS A CONTROLLED DOCUMENT.		DWN S. CARPENTER 19AUG2003		Tyco Electronics Corporation Harrisburg, PA 17105-3608			
DIMENSIONS: mm [INCHES]		CHK D. BOSSI 19AUG2003		NAME			
		APVD D. BOSSI 19AUG2003		PRODUCT SPEC			
		PRODUCT SPEC		APPLICATION SPEC			
MATERIAL		FINISH		108-1050		SIZE CAGE CODE DRAWING NO RESTRICTED TO	
				114-1019		A2 00779 C=644801	
CUSTOMER DRAWING				WEIGHT		SCALE SHEET REV	
				SCALE 5:1		SHEET 1 of 1 REV B	

