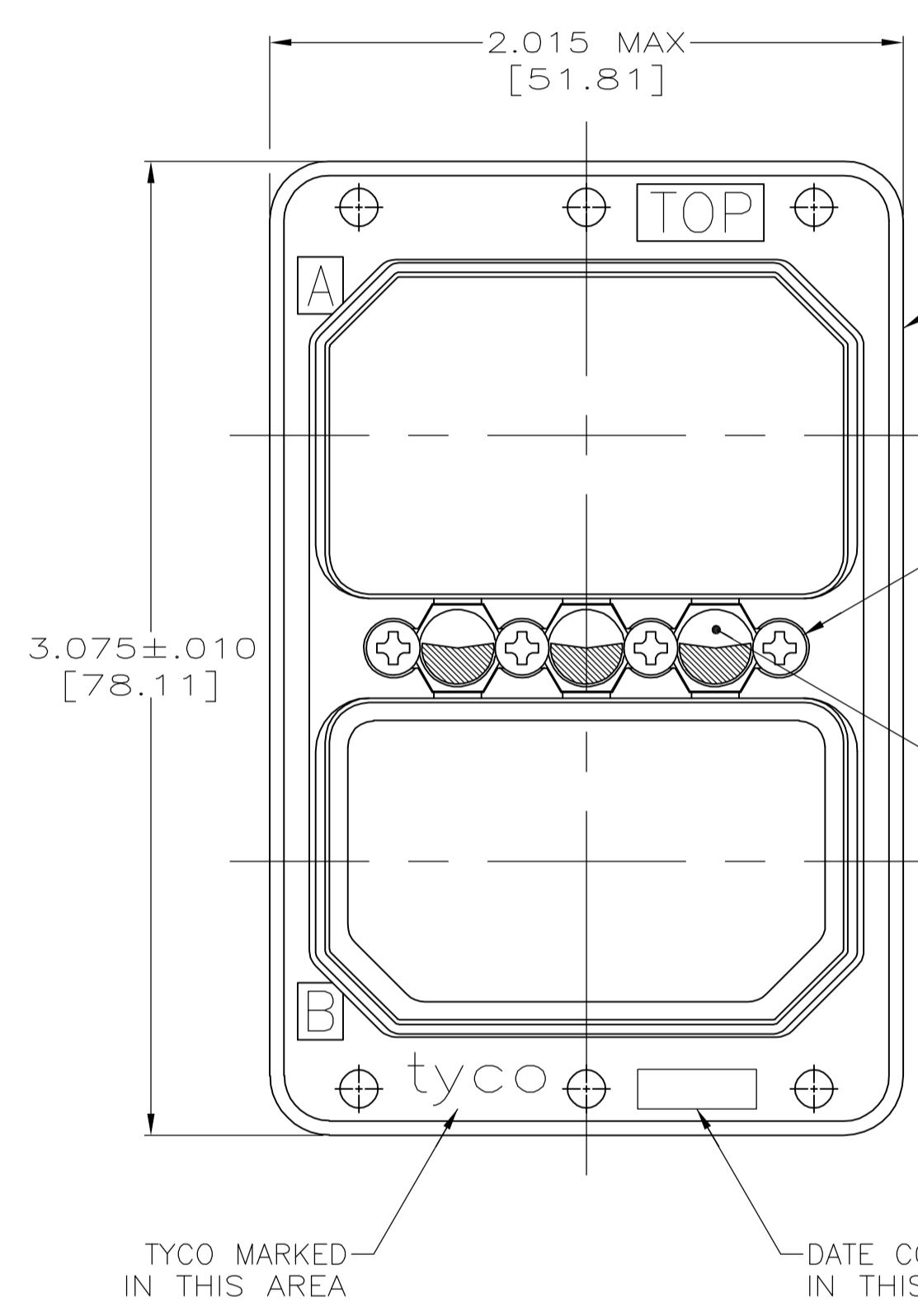


TYCO PART NUMBER & DESCRIPTIVE NO. MARKED IN THIS AREA



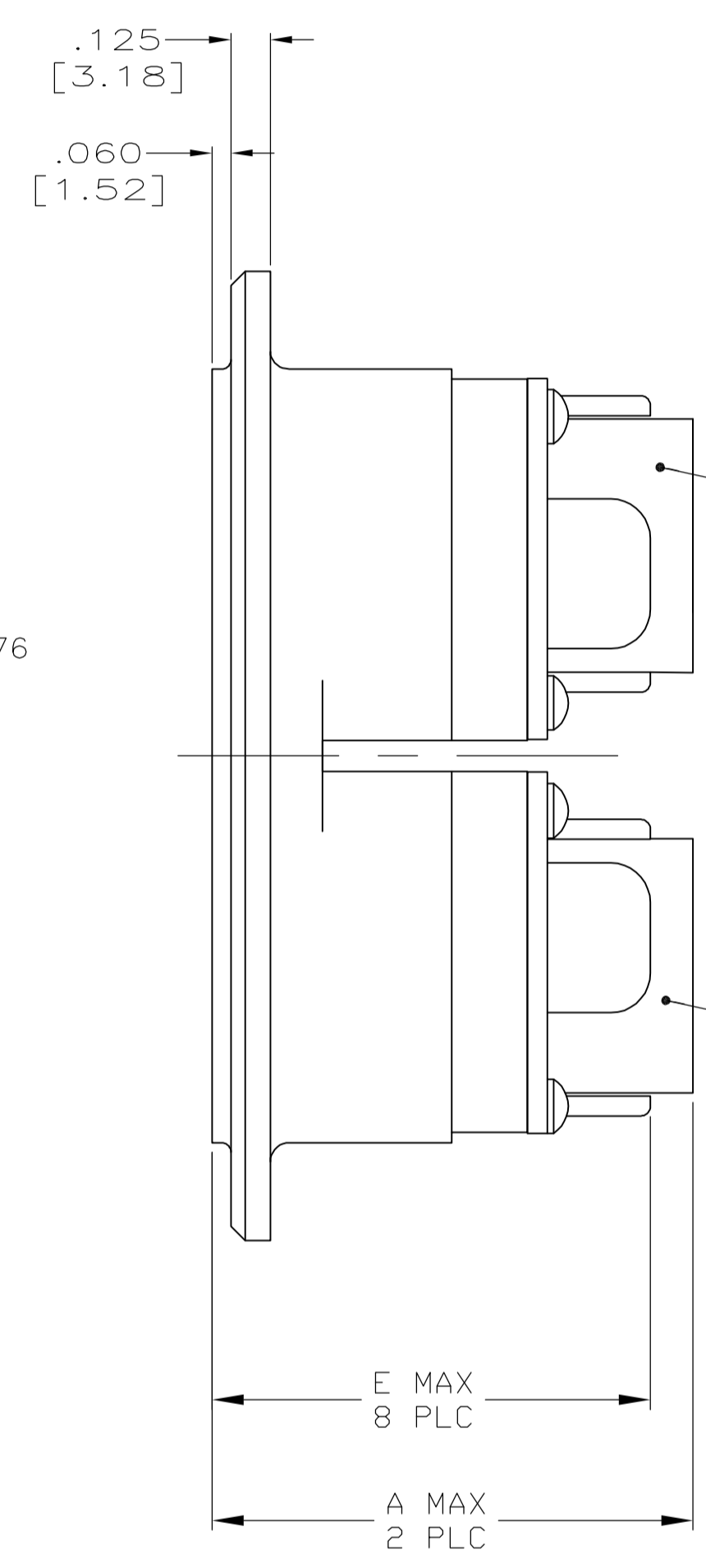
RECEPTACLE SHELL  
 MATERIAL: ALUMINUM PER QQ-A-591  
 FINISH: CADMIUM PLATED PER QQ-P-416  
 COLOR: YELLOW CHROMATE

SCREW, 4 REQUIRED  
 MATERIAL: STAINLESS STEEL PER QQ-S-776  
 FINISH: PASSIVATED PER QQ-P-358

KEYING INSERT, 3 REQUIRED  
 MATERIAL: ALUMINUM PER QQ-A-200  
 FINISH: CADMIUM PLATED PER QQ-P-416  
 YELLOW CHROMATE

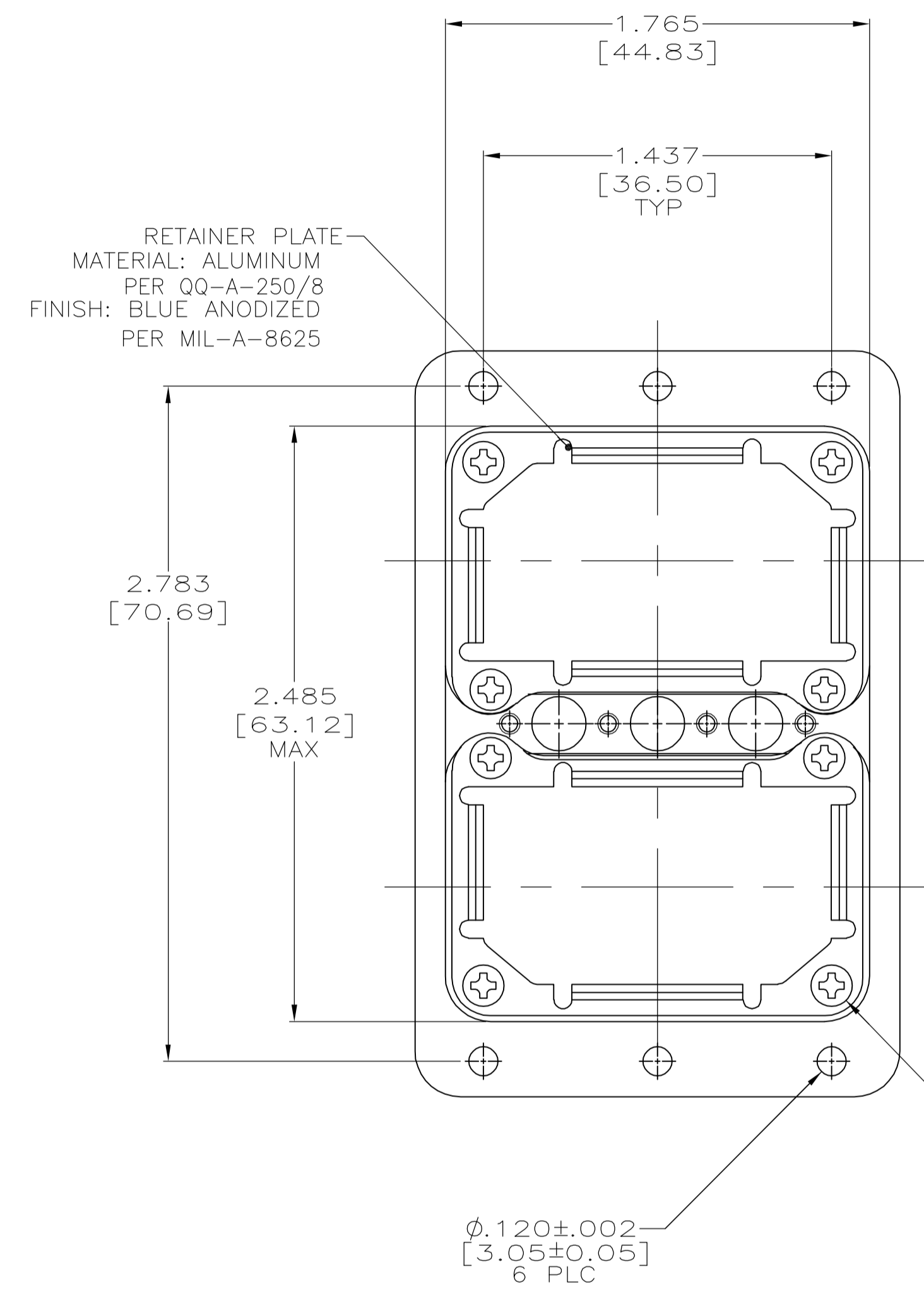
TYCO MARKED IN THIS AREA

DATE CODE MARKED IN THIS AREA



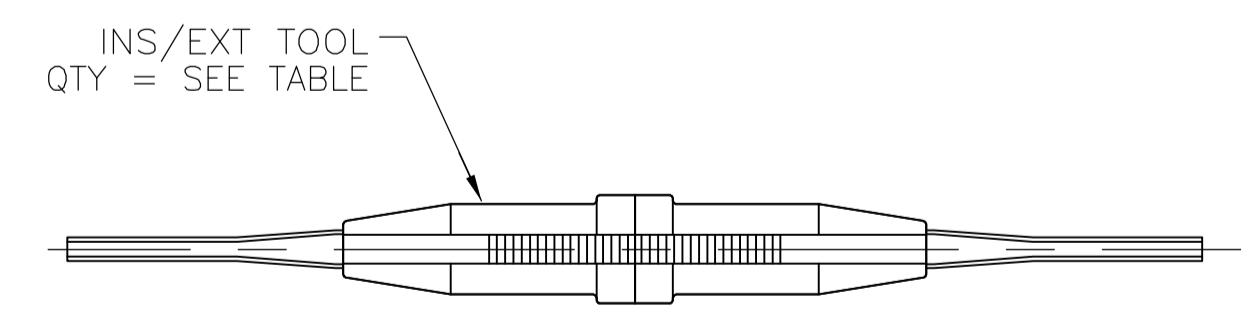
INSERT ASSY  
 SEE TABLE FOR MATERIAL & SIZE

INSERT ASSY  
 SEE TABLE FOR MATERIAL & SIZE

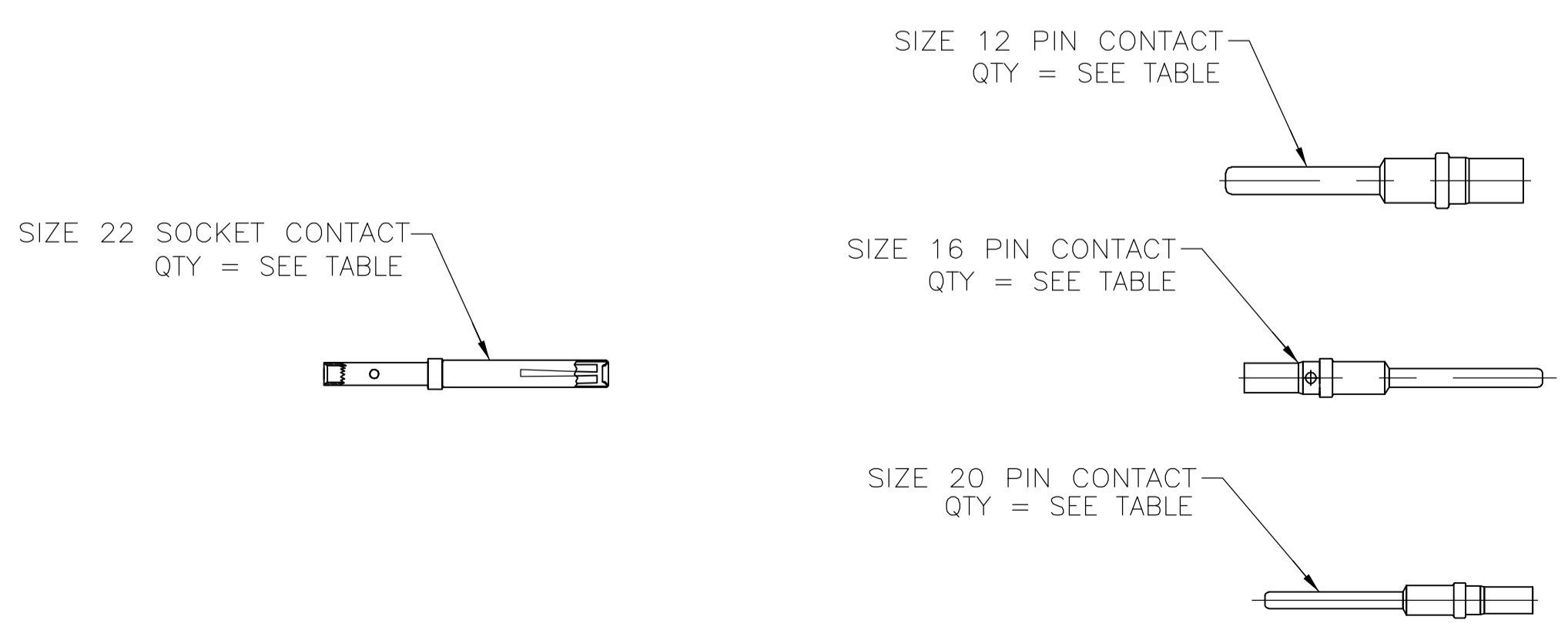


RETAINER PLATE  
 MATERIAL: ALUMINUM  
 PER QQ-A-250/8  
 FINISH: BLUE ANODIZED  
 PER MIL-A-8625

SCREW & LOCKWASHER (QTY=8)  
 MATERIAL: STAINLESS STEEL  
 PER QQ-S-766  
 FINISH: PASSIVATED  
 PER QQ-P-358



INS/EXT TOOL  
 QTY = SEE TABLE



KEYING IS SET IN POSITION "01".

CONTACTS ARE PACKAGED SEPARATELY AND SHIPPED WITH CONNECTOR. 213442-2 ONLY

THIS DRAWING IS A CONTROLLED DOCUMENT.		DWN C.C.THOMAS 8-22-05	Tyco Electronics Corporation Harrisburg, Pa 17105-3608
DIMENSIONS: INCHES		CHK D.FABY 8-22-05	
TOLERANCES UNLESS OTHERWISE SPECIFIED:		NAME D.FABY	PRODUCT SPEC
0 PLC ± -	1 PLC ± -	APPLICATION SPEC	SIZE
2 PLC ± -	3 PLC ± .005 [0.13]	WEIGHT	CAGE CODE
4 PLC ± -	ANGLES ± -	FINISH	DRAWING NO
MATERIAL SEE CALLOUTS		A1 00779 ©=213442	
FINISH SEE CALLOUTS		CUSTOMER DRAWING	
		SCALE 2:1	SHEET 1 OF 2
		REV D	

57P	106S	106S	106S	106S	67P	40P	INSERT A
57P	106S	106S	106S	33C4P	D8P	8P	INSERT B
00	01	23	01	00	01	01	MODIFICATION CODE, SEE DRAWING 205100
00	01	01	01	01	01	01	KEYING CODE, SEE DRAWING 204014
00	01	01	01	01	01	01	CUSTOMER ORDERING CODE, SEE DRAWING 205102
212	-	-	-	-	-	-	205103-3 SOCKET CONTACT (SIZE 22)
-	4	-	-	-	-	-	WASHER - STAINLESS STEEL; PASSIVATED
-	4	-	-	-	-	-	ALIGNMENT BUSHING - STAINLESS STEEL; PASSIVATED
-	-	-	-	-	4	-	CLINCH NUT - STEEL; PL CADMIUM
-	-	-	-	-	1	-	91066-4 INSERT/EXTRACT TOOL, SIZE 20 - ACETAL/BE CU; PL NICKEL
-	-	-	-	-	1	-	91066-3 INSERT/EXTRACT TOOL, SIZE 16 - ACETAL/BE CU; PL NICKEL
114	-	-	-	-	64	-	204938-3 PIN CONT, SIZE 20 - LEADED COPPER; PL GOLD OVER NICKEL
-	-	-	-	-	7	-	204978-3 PIN CONT, SIZE 16 - LEADED COPPER; PL GOLD OVER NICKEL
-	-	-	-	-	4	-	205763-3 PIN CONT, SIZE 12 - LEADED COPPER; PL GOLD OVER NICKEL
-	-	-	-	-	10	-	203839-1 SEALING PLUG, SIZE 20 - FLUOROPOLYMER; RED
-	-	-	-	-	2	-	203839-2 SEALING PLUG, SIZE 16 - FLUOROPOLYMER; BLUE
-	-	-	-	-	1	-	205574-1 SEALING PLUG, SIZE 12 - FLUOROPOLYMER; YELLOW
8	8	8	8	8	8	8	LOCKWASHER - STAINLESS STEEL; PASSIVATED
8	8	8	8	8	8	8	MACHINE SCREW - STAINLESS STEEL; PASSIVATED
2	2	2	2	2	2	2	GROMMET PROTECTOR - ALUMINUM; ANODIZED BLUE
4	4	4	4	4	4	4	FLATHEAD SCREW - STAINLESS STEEL; PASSIVATED
3	3	3	3	3	3	3	KEYING INSERT - ALUMINUM; PL CADMIUM, YELLOW CHROMATE
-	2	-	2	1	-	-	SOCKET INSERT ASSEMBLY - EPOXY; BLACK
2	-	2	-	1	2	2	PIN INSERT ASSEMBLY - EPOXY; BLACK
1	1	1	1	1	1	1	SHELL - ALUMINUM; PL CADMIUM, YELLOW CHROMATE
-7	-6	-5	-4	-3	-2	-1	PART NO DESCRIPTION

		INSERT ARRANGEMENT													
		C2	C3	8	C8	D8	26	32C2	33C4	40	40C1	45	57	67	106
A DIM.				38.74 [1.525]		38.74 [1.525]			38.74 [1.525]	38.74 [1.525]				38.74 [1.525]	32.49 [1.279]
E DIM.				36.83 [1.450]		36.83 [1.450]			36.83 [1.450]	36.83 [1.450]				36.83 [1.450]	31.24 [1.230]

THIS DRAWING IS A CONTROLLED DOCUMENT.

DIMENSIONS: INCHES	TOLERANCES UNLESS OTHERWISE SPECIFIED:	DWN: MARK HOFFECKER 3-11-87	CRK: LARRY LAWNER 3-11-87	APVD: E. HOWARD 3-11-87	NAME: E. HOWARD	tyco Electronics	Tyco Electronics Corporation Harrisburg, Pa 17105-3608
	0 PLC ± - 1 PLC ± - 2 PLC ± - 3 PLC ± - 4 PLC ± - ANGLES ± -	PRODUCT SPEC		APPLICATION SPEC		RECEPTACLE CONNECTOR KIT, ARINC 404, DUAL INSERT RME2R SERIES	RESTRICTED TO
MATERIAL: SEE TABLE	FINISH: SEE TABLE	WEIGHT: -	SIZE: A1	CAGE CODE: 00779	DRAWING NO: 213442	CUSTOMER DRAWING	SCALE: 1:1 SHEET 2 OF 2 REV D