

THIS DRAWING IS UNPUBLISHED.

RELEASED FOR PUBLICATION

20

© COPYRIGHT 20 BY -

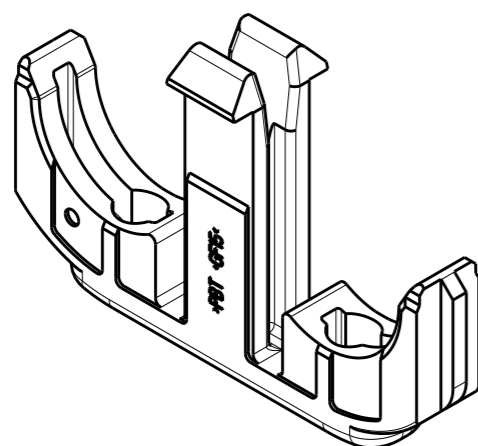
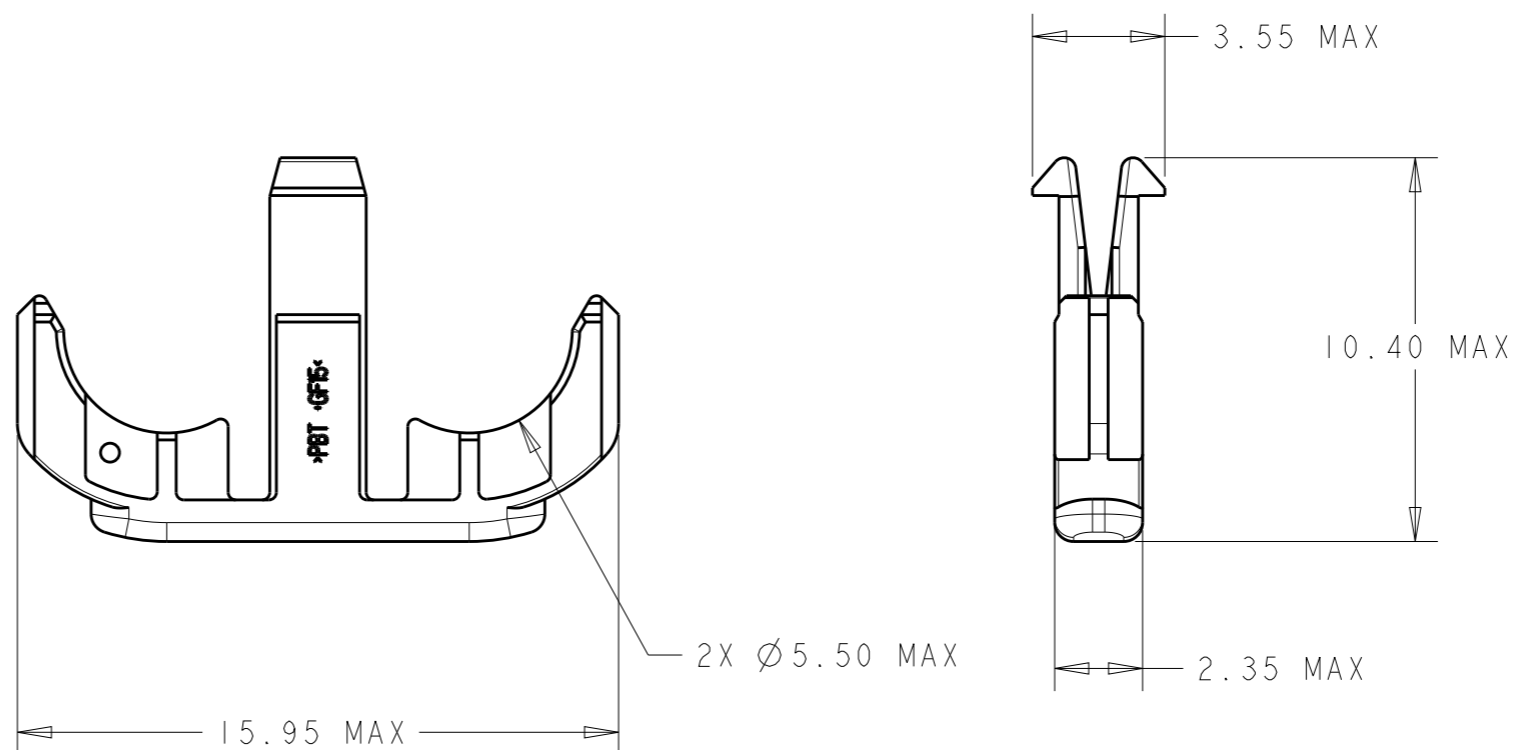
ALL RIGHTS RESERVED.

LOC IN DIST 00

REVISIONS

P	LTR	DESCRIPTION	DATE	DWN	APVD
	B	ECO-13-013615	28AUG2013	KP	LV

△ POLYESTER PBT, RED.



ISOMETRIC VIEW

1924857-1
PART NUMBER

THIS DRAWING IS A CONTROLLED DOCUMENT.

DWN K. PETERSON 26AUG2004

CHK L. VARSIK

APVD L. VARSIK

PRODUCT SPEC

APPLICATION SPEC

WEIGHT

CUSTOMER DRAWING



NAME LOCK, 2 POSITION, STANDARD 8.0mm, FAKRA 4

SIZE CAGE CODE DRAWING NO RESTRICTED TO

A3 00779 C-1924857

SCALE 5:1 SHEET 1 OF 1 REV B

DIMENSIONS:	TOLERANCES UNLESS OTHERWISE SPECIFIED:
mm	0 PLC ±-
	1 PLC ±-
	2 PLC ±-
	3 PLC ±-
	4 PLC ±-
	ANGLES ±-

MATERIAL FINISH

