

**FRONT-SFL 2,5/D32**

Order No.: 2285593

<http://eshop.phoenixcontact.de/phoenix/treeViewClick.do?UID=2285593>

Screw socket, Nominal current: 4 A, Nom. voltage: 250 V, Number of positions: 32, Connection type: Screw connection, Color: green

**Commercial data**

EAN	4017918055998
Pack	10 pcs.
Customs tariff	85369010
Weight/Piece	0.11934 KG
Catalog page information	Page 534 (CC-2009)

**Product notes**WEEE/RoHS-compliant since:  
12/01/2007

<http://www.download.phoenixcontact.com>  
Please note that the data given here has been taken from the online catalog. For comprehensive information and data, please refer to the user documentation. The General Terms and Conditions of Use apply to Internet downloads.

**Technical data****Dimensions / positions**

Length	30.1 mm
Height	34.8 mm
Width	95 mm
Number of positions	32
Hole diameter	2.8 mm

Screw thread	M2,5
Tightening torque, min	0.4 Nm
Tightening torque max	0.5 Nm

#### Technical data

Insulating material group	I
Rated surge voltage (III/3)	4 kV
Connection in acc. with standard	EN-VDE
Nominal current $I_N$	4 A
Nominal voltage $U_N$	250 V
Insulating material	PA
Inflammability class acc. to UL 94	V2
Stripping length	10 mm

#### Connection data

Conductor cross section solid min.	0.2 mm <sup>2</sup>
Conductor cross section solid max.	4 mm <sup>2</sup>
Conductor cross section stranded min.	0.2 mm <sup>2</sup>
Conductor cross section stranded max.	2.5 mm <sup>2</sup>
Conductor cross section AWG/kcmil min.	24
Conductor cross section AWG/kcmil max	12

#### Certificates / Approvals



Certification CUL, GOST, UL

#### CUL

Nominal voltage $U_N$	300 V
Nominal current $I_N$	4 A
AWG/kcmil	30-12

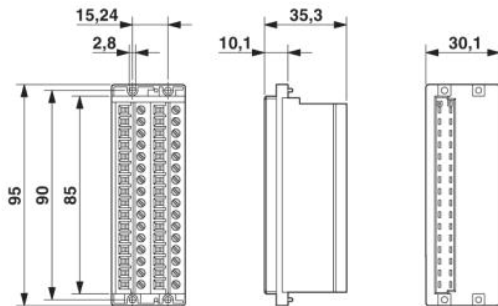
#### UL

Nominal voltage $U_N$	300 V
Nominal current $I_N$	4 A
AWG/kcmil	30-12

## Diagrams/Drawings

### Dimensioned drawing

---



**Address**

PHOENIX CONTACT Deutschland GmbH  
Flachmarktstr. 8  
32825 Blomberg, Germany  
Phone +49 5235 3 12000  
Fax +49 5235 3 41200  
<http://www.phoenixcontact.de>



© 2010 Phoenix Contact  
Technical modifications reserved;