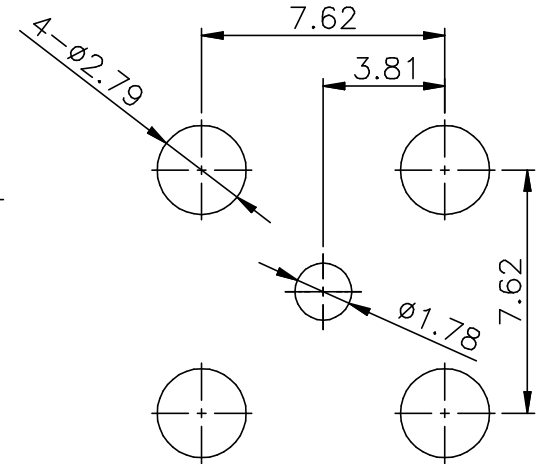
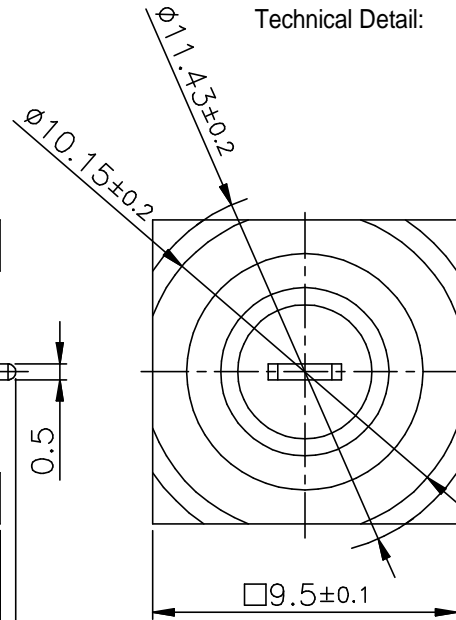
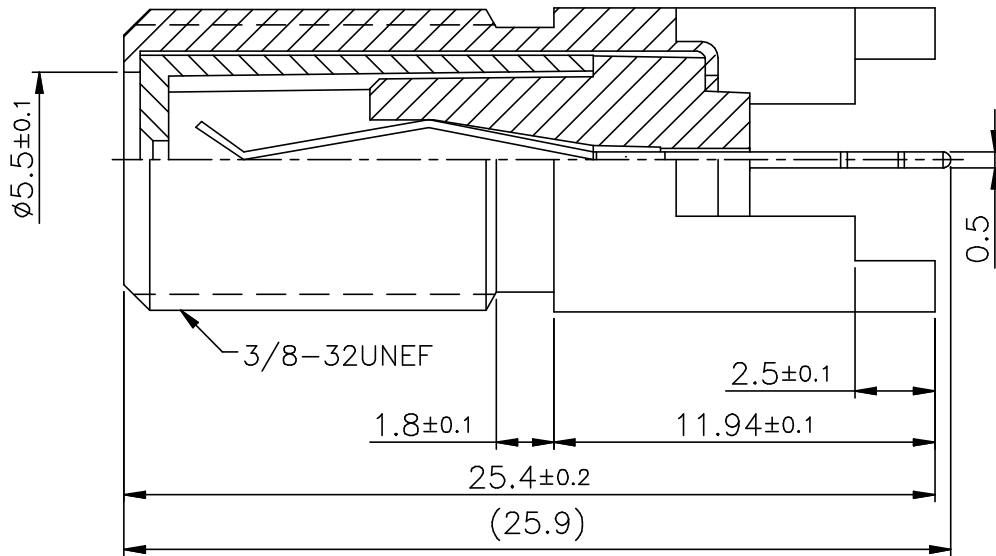
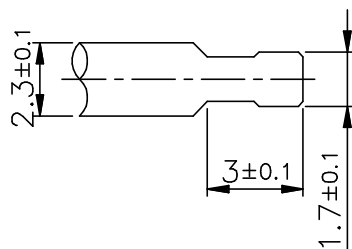




DESCRIPTION: F-61 JACK, VERTICAL, PCB MOUNT
 MODEL NUMBER: 25-7650
 APPLICATION: FOR PCB MOUNT
 IMPEDANCE: 75 OHMS
 FREQUENCY RANGE: 0-1 GHz
 MATERIAL: BODY BRASS TIN PLATED
 CONTACT PHOS. BRONZE TIN PLATED
 INSULATOR PP
 RoHS Compliance: YES
 Technical Detail: REFER TO CINCH DOCUMENT PN 25-0000



Suggested PCB Holes



	3RD ANGLE PROJECTION 	AIM-Cambridge	
	RoHS2 <input checked="" type="checkbox"/> 2011/65/EU <small>UNLESS OTHERWISE SPECIFIED UNITS: METRIC</small>	Title: (CPF61PC) 61-F Jack, Vertical, PCB Mount	
<small>This PROPRIETARY Document is property of Cinch Connectivity Solutions. It is confidential in nature, non-transferable, and issued with the clear understanding that it is not to be copied or reused without permission and is returnable upon demand.</small>	.X $\pm .51$.XX $\pm .127$ ANGLES $\pm 2^\circ$	Model No. 25-7650	
INTERPRET DRAWING IN ACCORDANCE WITH ASME Y14.5-2009.	Size A	DO NOT SCALE DRAWING	Date: 2017/8/7
			Sheet 1 of 1