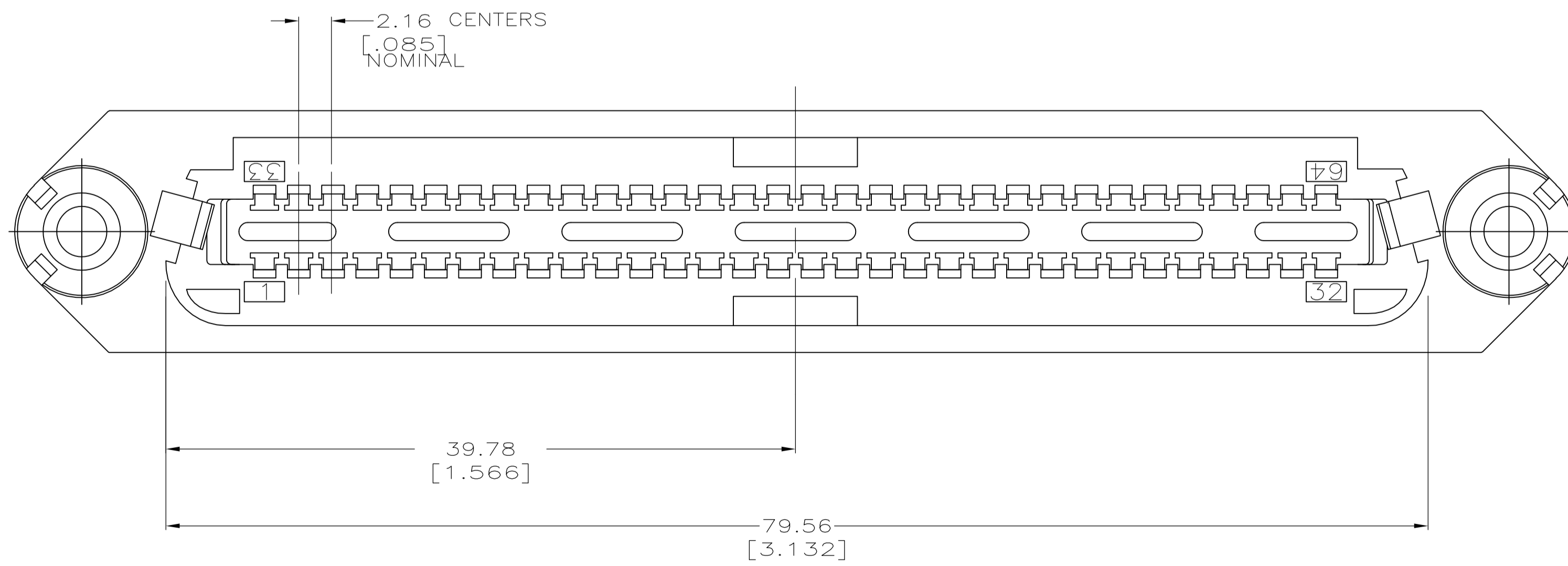
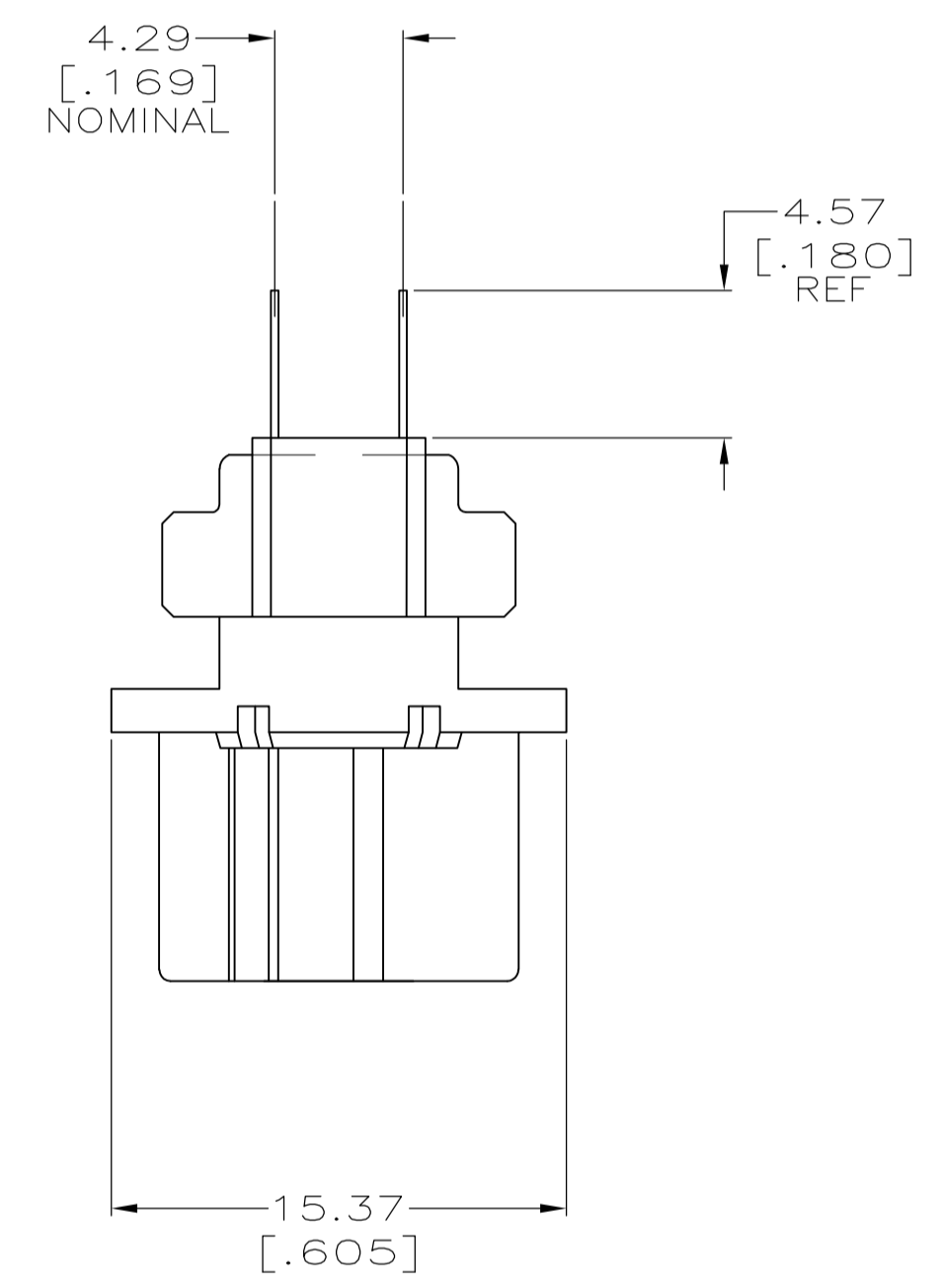
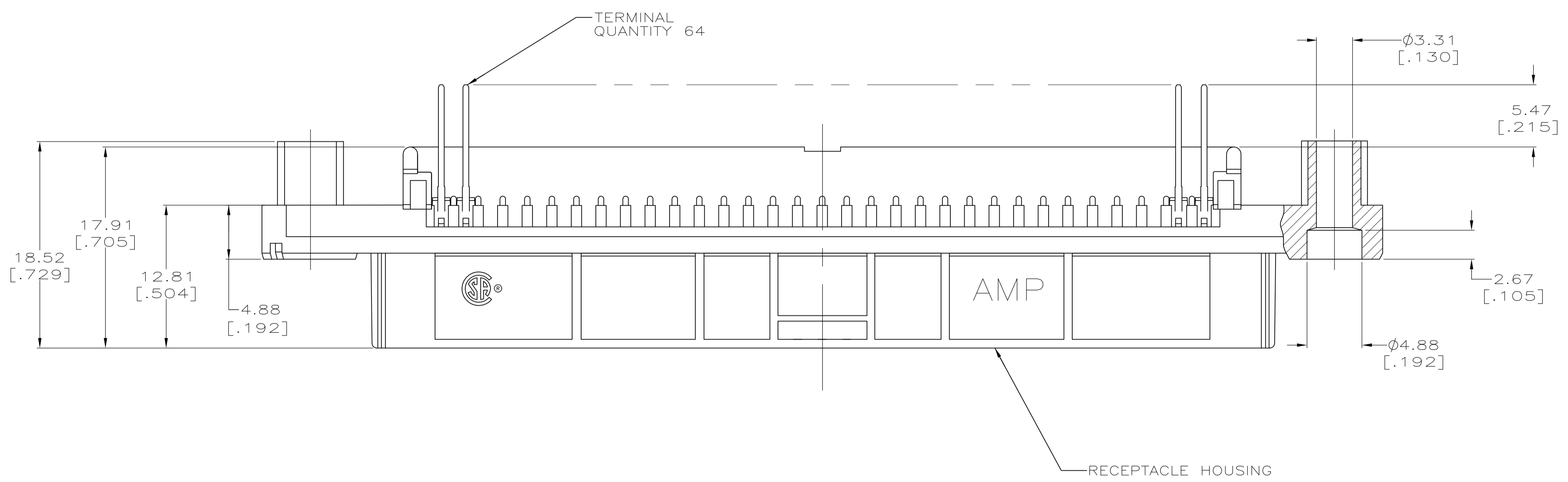
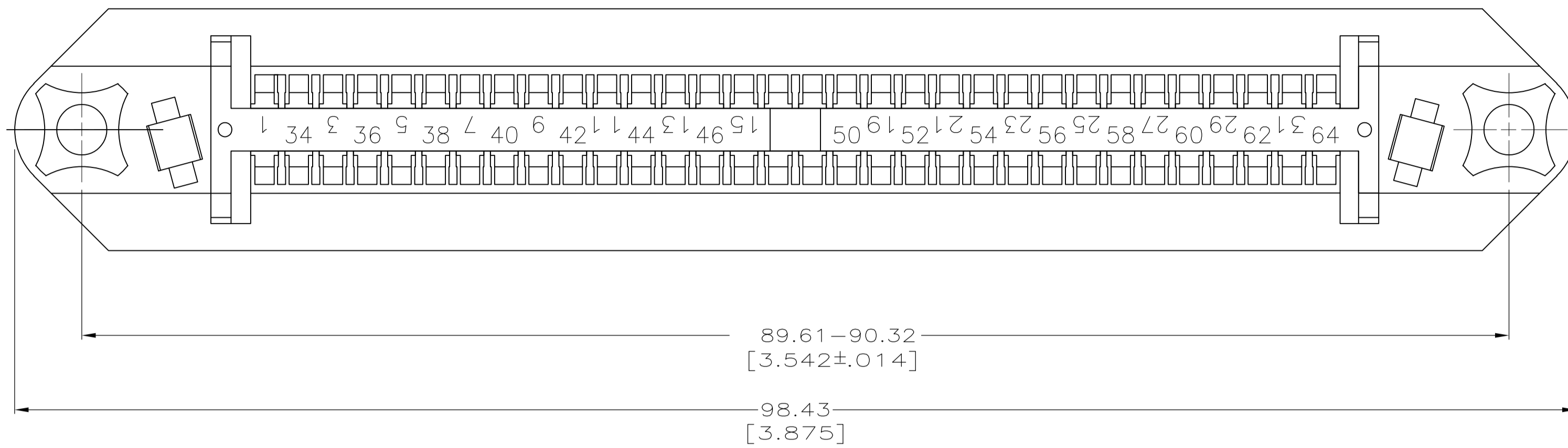


LOC		DIST		REVISIONS			
GP	00	REV	LTR	DESCRIPTION	DATE	DMN	APVD
		K		REVISED PER ECO-08-007327	18APR08	BM	WM

- △ DIMENSIONS ARE MAXIMUM UNLESS OTHERWISE SPECIFIED.
- 2. THE CONTACT SURFACES OF THE TERMINALS ARE COATED WITH LUBRICANT.
- △ MATERIAL:
 HOUSING - THERMOPLASTIC, BLACK.
 TERMINAL - PHOSPHOR BRONZE PLATED WITH EITHER 0.76μm [.000030] MIN GOLD PLATE OR GOLD FLASH OVER PALLADIUM NICKEL PLATE, 0.76μm [.000030] MIN TOTAL ON MATING SURFACE. 3.05μm [.000120] MIN TIN-LEAD PLATE ON TAILS OVER 1.27μm [.000050] MIN NICKEL UNDERPLATE OVER ENTIRE TERMINAL.



552246-1
PART NUMBER

THIS DRAWING IS A CONTROLLED DOCUMENT.		DIN B SIMPSON 24MAR94	Tyco Electronics Corporation Tyco Electronics Corporation Harrisburg, PA 17105-3608	
DIMENSIONS: mm [INCHES]		CHK C WHITT 11APR94	NAME RECEPTACLE ASSEMBLY, 64 POSITION, VERTICAL MOUNTING, CHAMP-LOK®	
TOLERANCES UNLESS OTHERWISE SPECIFIED:		APP'D R FLAHERTY 17APR94	PRODUCT SPEC	
0 PLC ± - △		APPLICATION SPEC		
1 PLC ± - △		SIZE CAGE CODE DRAWING NO		
2 PLC ± - △		RESTRICTED TO		
3 PLC ± - △		WEIGHT		
4 PLC ± - △		A1 00779 C=552246		
ANGLES ± - △		CUSTOMER DRAWING SCALE 4:1 SHEET 1 OF 1 REV K		