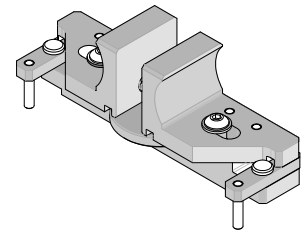


**MiniDIMM
Memory Card
Extraction Tool**



**Application Tooling
Specification Sheet**



Order No. 62100-1900

FEATURES

- Assists in ejecting the memory card from the 87918 series sockets
- Tool ejects the memory card evenly from the socket (no risk of “zippering” the contacts)
- For memory card insertion, use tool 62100-1950

SCOPE

Products: MiniDIMM 0.60mm Pitch DDR/DDR2/DDR3 Sockets, 244 circuits

Product List

The following is a partial list of the product order numbers and their specifications this tool is designed to be used on. Updates to this list are available on www.molex.com.

Series No.	Circuit Size	Assembly Order Number					
87918	244	87918-0001	87918-0003	87918-0005	87918-0006	87918-0007	87918-0008
		87918-0301	87918-5001	87918-5002			
87940	244	87940-0001	87940-0003	87940-0004			
78001	244	78001-0020	78001-0021	78001-0022	78001-1244	78001-1344	78001-2244
		78001-3244	78001-3344	78001-5244	78001-6244		

DESCRIPTION

The 62100-1900 MiniDIMM Memory Card Extraction Tool is a manual tool for ejecting a DDR/DDR2/DDR3 memory card from the 87918 series card sockets. The tool is approximately 97mm (3.8 in.) long by 42mm (1.6 in.) high by 25mm (1.0 in.) deep and weighs 0.3 kg (0.6 lb).

Operating Space (Keep Out Zone)

A certain amount of space is required around the memory card socket for the extraction tool to operate properly. Make sure there are no other components in this space. See Figure 1.

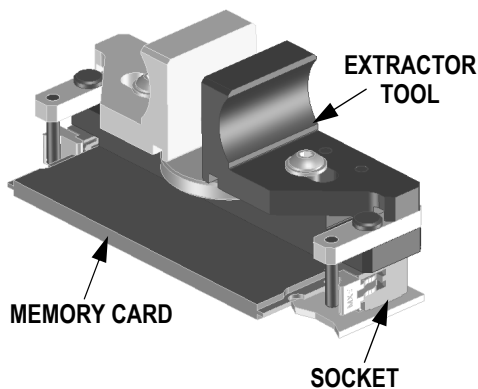
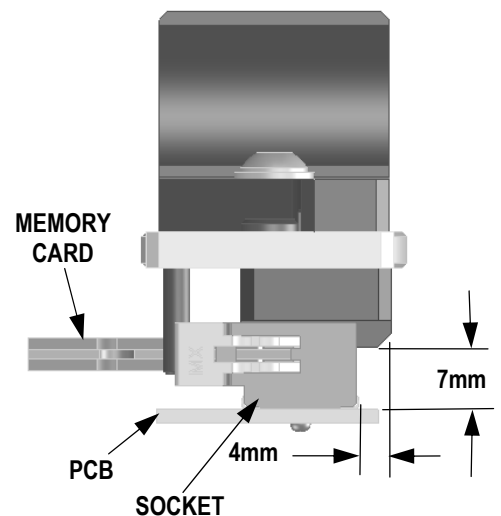


Figure 1

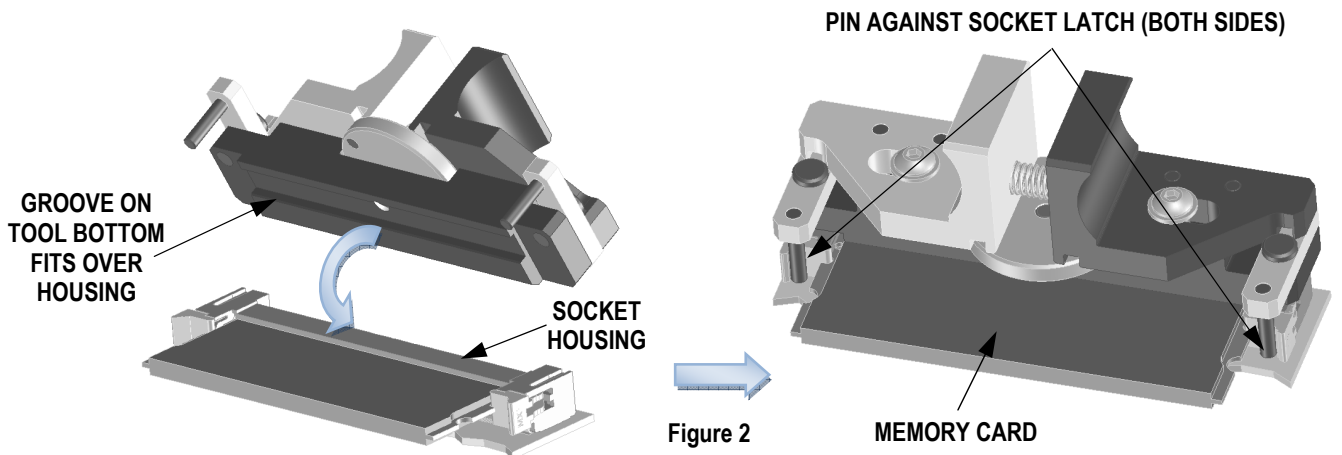


TOOL SETUP

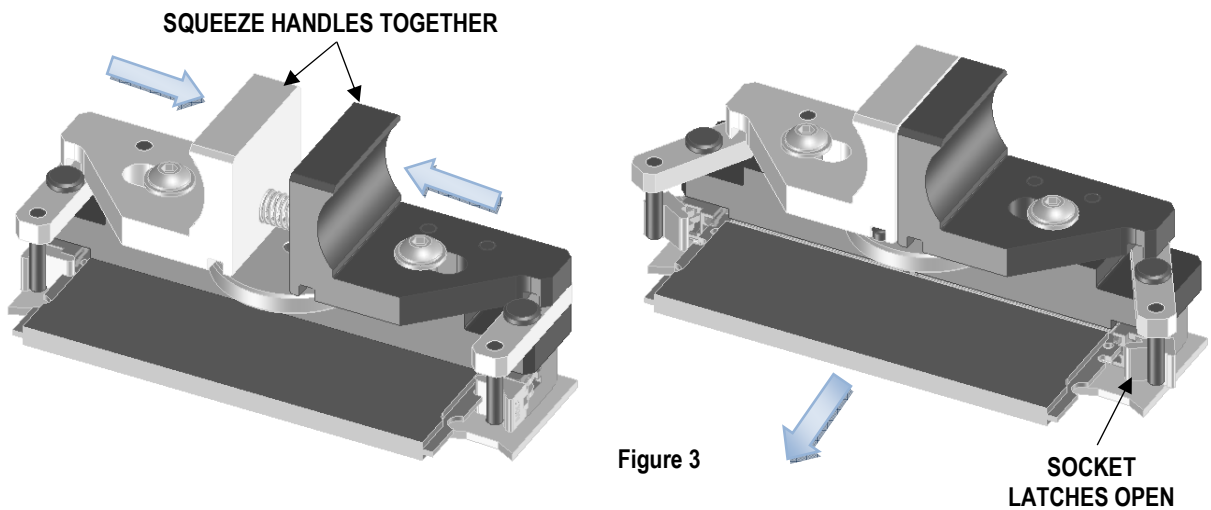
This tool will extract 244 circuit DDR/DDR2/DDR3 memory cards without any adjustments. The tool cannot be adjusted for 200 circuit memory card sockets.

TOOL OPERATION

1. Locate the memory card to be removed.
2. Place the extraction tool on the memory card socket so the pins are against the socket latches and the groove on the bottom of the tool engages the top of the socket housing. See Figure 2.



3. Squeeze the extraction tool handles together. The pins will pivot the socket latches open and the memory card will be ejected. See figure 3.



4. Release the extraction tool handles and remove the tool from the memory card socket.

Maintenance

It is recommended that each operator of the tool be made aware of, and responsible for, the following maintenance steps:

1. Remove dust, moisture, and other contaminants with a clean brush, or soft, lint free cloth.
2. Do not use any abrasive materials that could damage the tool.
3. Make certain all pins; pivot points and bearing surfaces are protected with a thin coat of high quality machine oil. Do not oil excessively.
4. When tool is not in use, store in a clean, dry area.
5. There are no repair parts available for this tool. Should the tool be damaged a new tool is required.

CAUTION: Molex specifications are valid only when used with Molex connectors and tooling.

Visit our Web site at <http://www.molex.com>