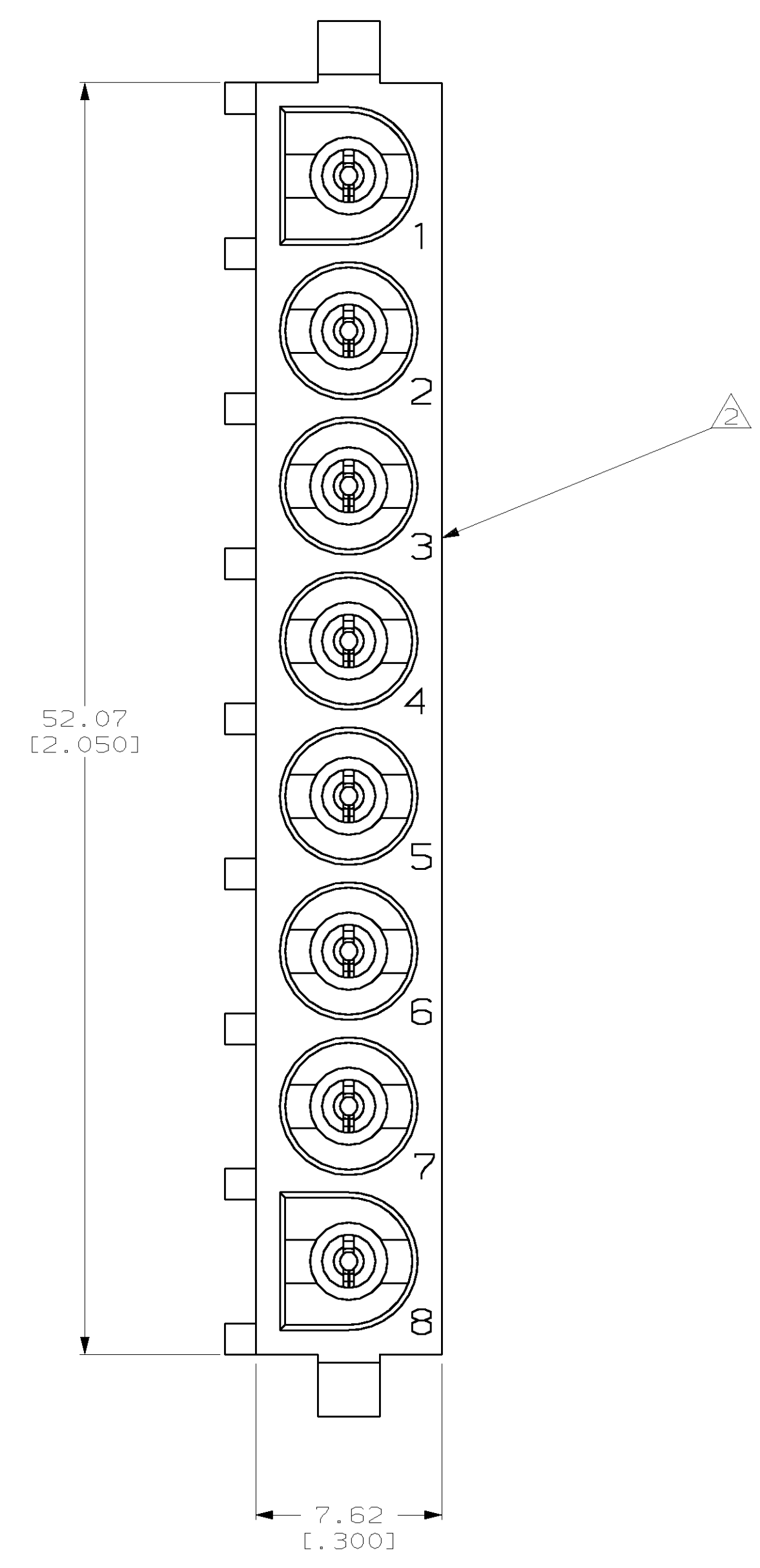
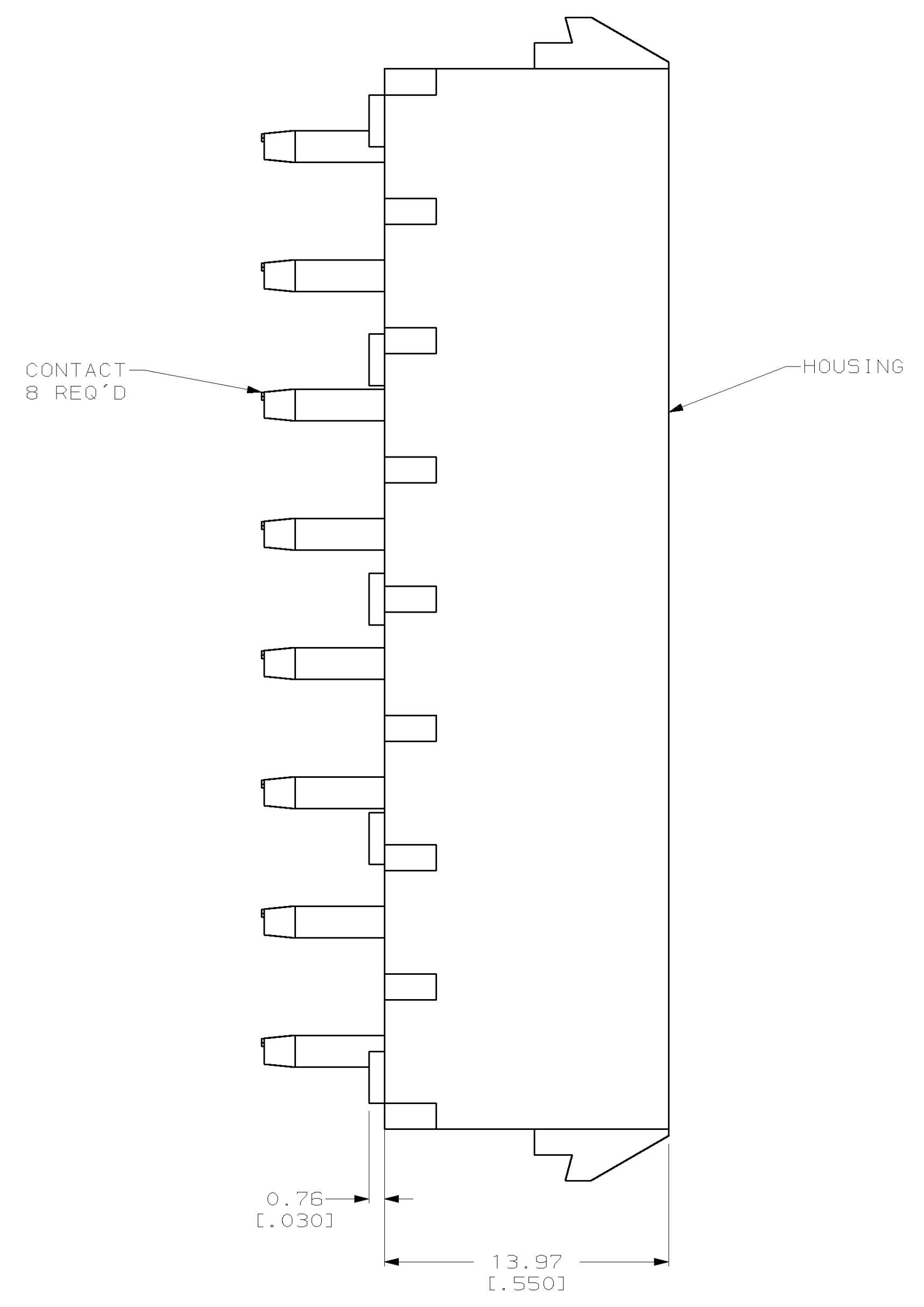
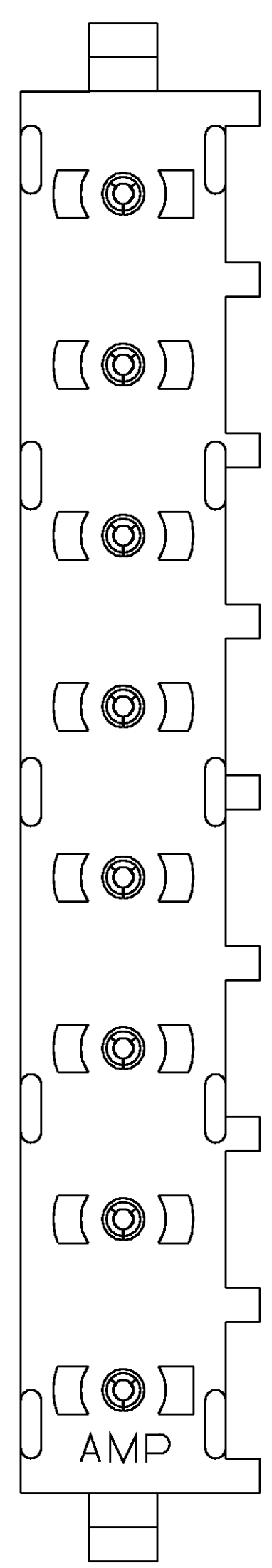
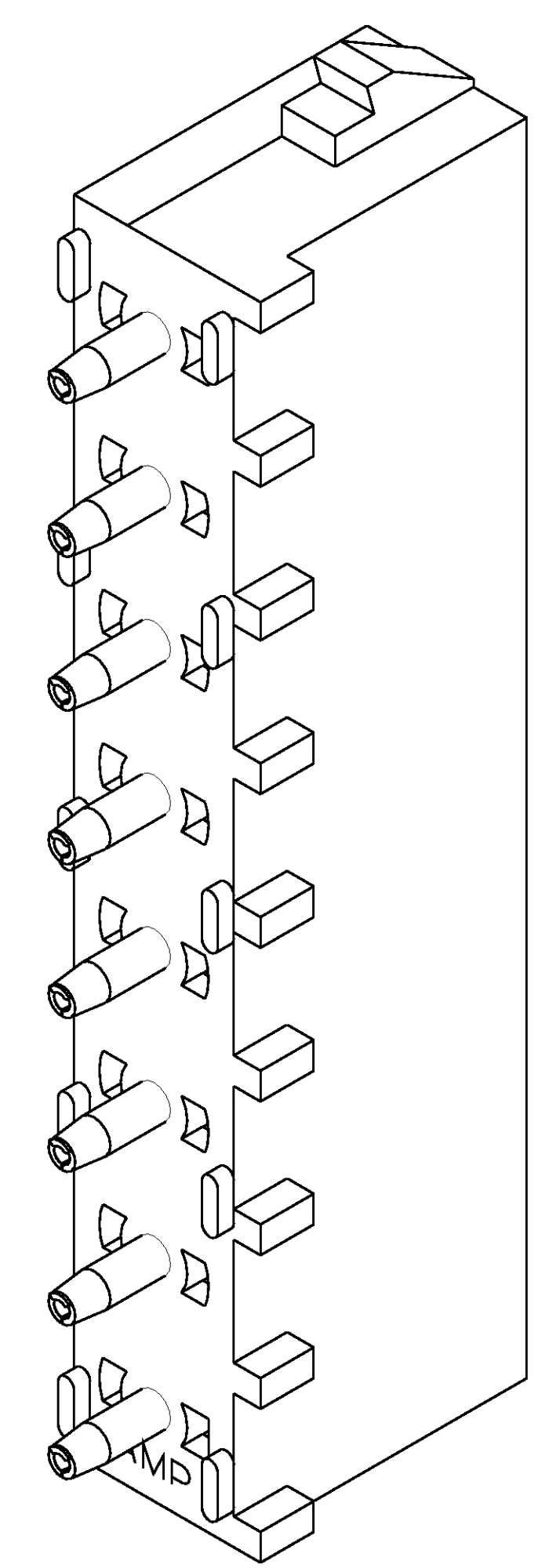


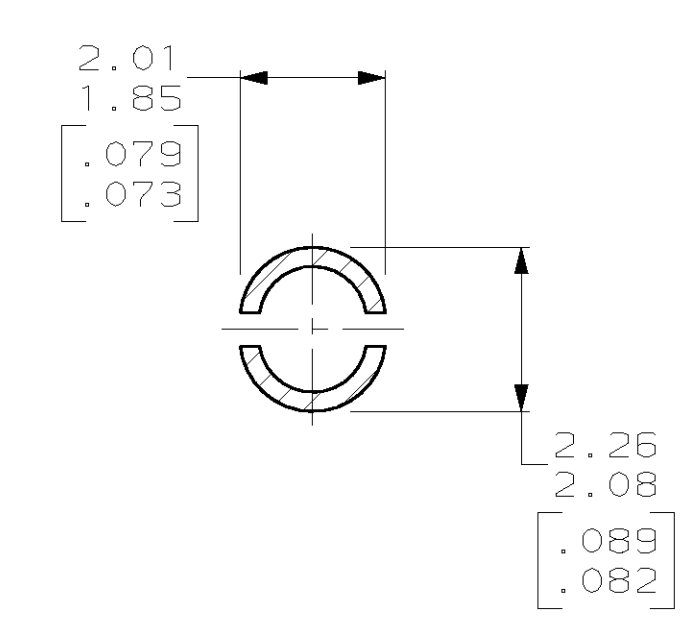
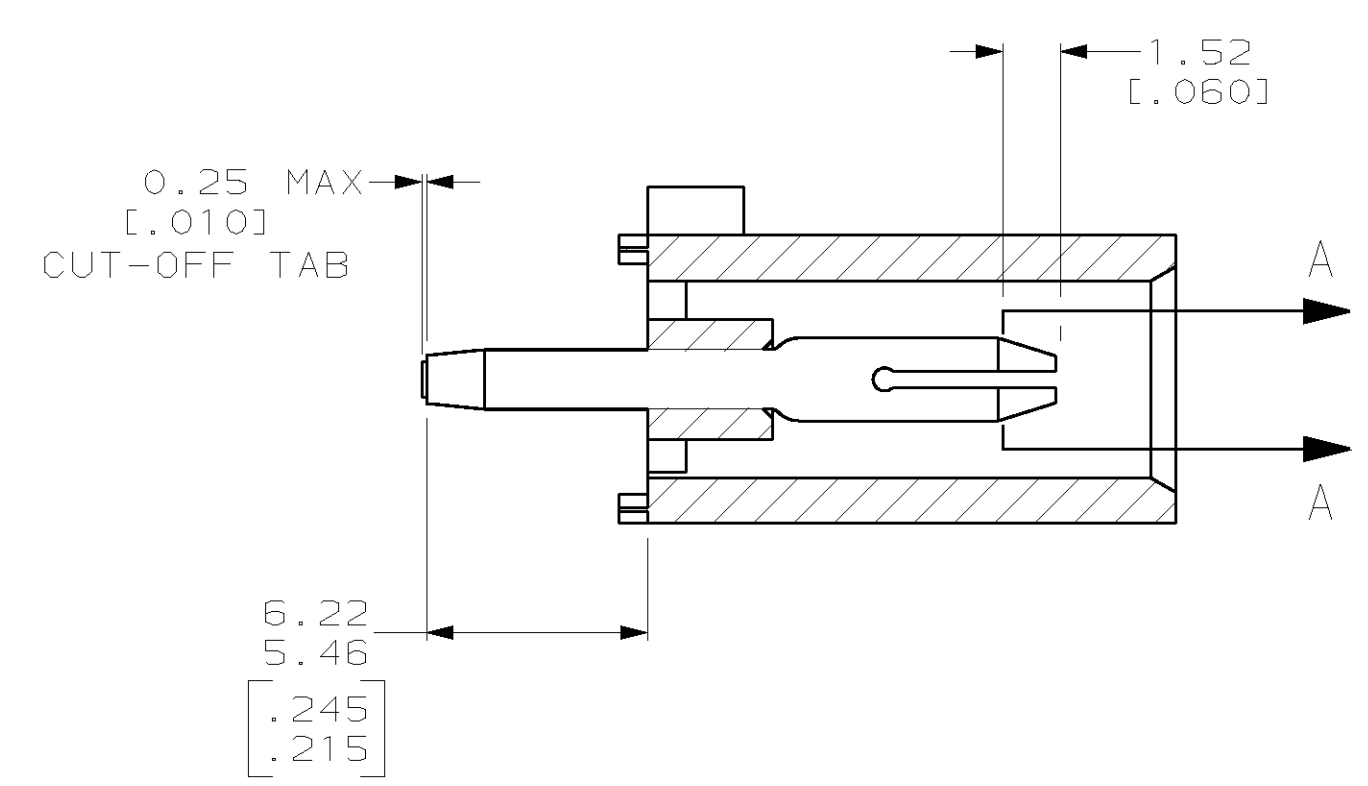
LOC	DIST	REV	DATE	OWN	APPROV
CM	53	D	10-05-98	BL	RS



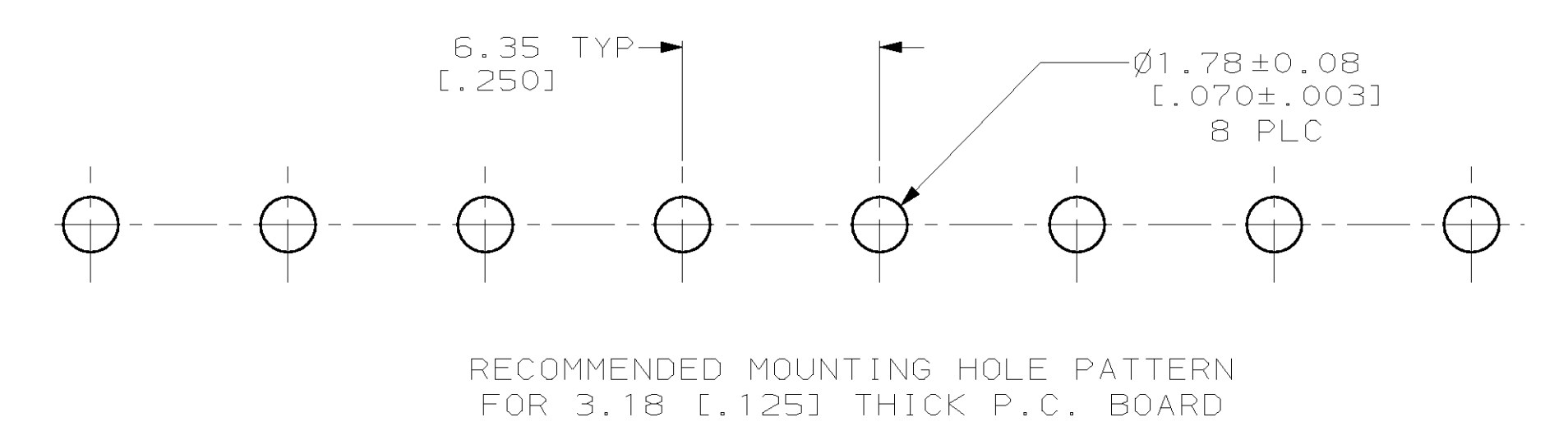
- PARTS COMPLY TO AMP SOLDERABILITY SPECIFICATION 109-11-3.
- CIRCUIT IDENTIFICATION CHARACTERS ARE ADJACENT TO THE INDICATED CAVITIES, BUT LOCATION AND ORIENTATION MAY DIFFER FROM PRINT.
- DIMENSIONS IN BRACKETS ARE IN INCHES.



3-DIMENSIONAL MODEL NTS



SECTION A-A
SCALE 10:1



PHOSPHOR BRONZE, PRE-TIN PIN CONTACT MATERIAL AND FINISH	NYLON, UL94V-2, NATURAL HOUSING MATERIAL	770143-1 PART NO
THIS DRAWING IS A CONTROLLED DOCUMENT. DIMENSIONS: mm (INCHES) TOLERANCES UNLESS OTHERWISE SPECIFIED: 0 PLC ± 1 PLC ± 2 PLC ±0.13 (.005) 3 PLC ± 4 PLC ± UNLESS OTHERWISE SPECIFIED: 40°±30° MATERIAL: SEE TABLE FINISH: SEE TABLE		DWG: B. LEWIS 10-05-98 CHK: R. SWING 10-05-98 APVD: M. TRULLI 10-05-98 NAME: AMP INCORPORATED PRODUCT SPEC: HARRISBURG, PA 17105-3608 APPLICATION SPEC:
METRIC		AMP PIN HEADER ASSEMBLY, 8 CIRCUIT UNIVERSAL MATE-N-LOK™ SIZE: A1 CAGE CODE: 00779 DRAWING NO: 770143 WEIGHT: - SCALE: 5:1 SHEET: 1 OF 1 REV: 0 CUSTOMER DRAWING