

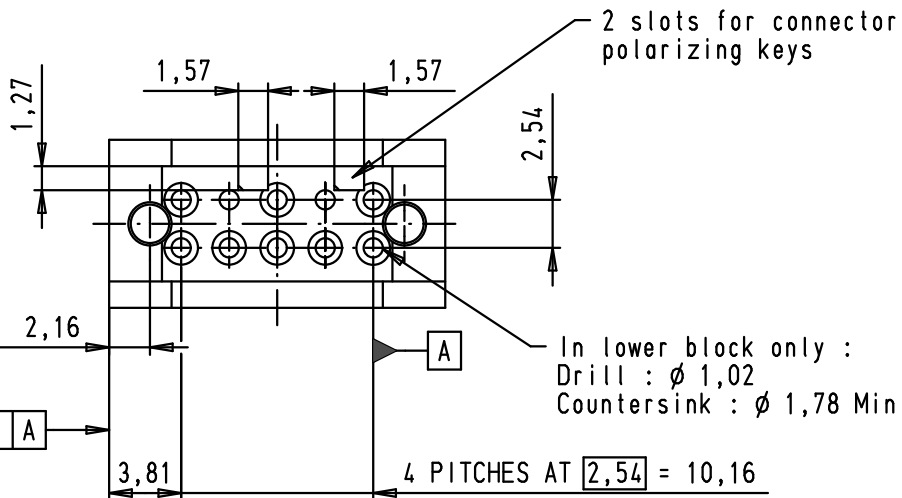
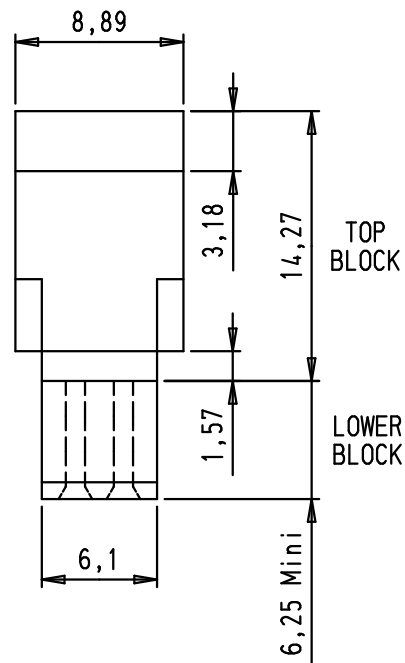
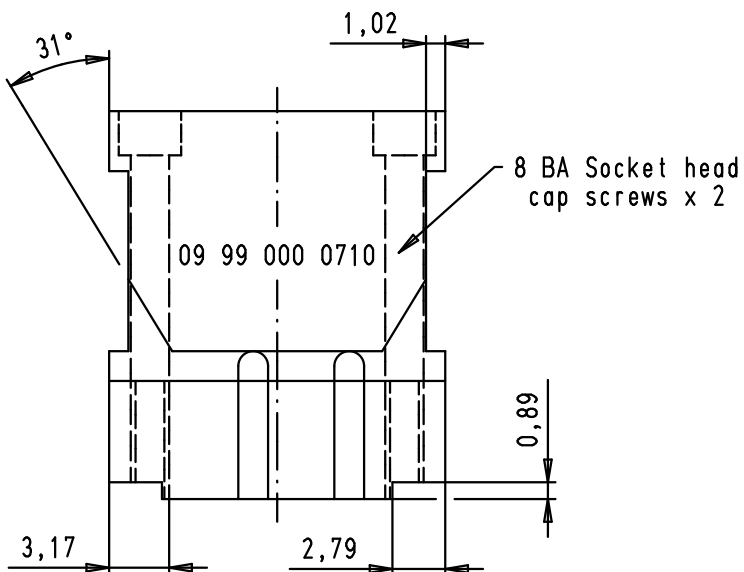
5

4



3

2

1



Material: hardened tool steel
BA = British Association Standard Thread

				Dot.	Name	 <p>All Dim. in mm Orig. Size DIN A 4</p>	10 poles press-in top tool insert for SEK male header standard press-in connector	Maßstab/ Scale 2,5:1
			Detail.	24/10/06	PK			
			Insp.					
			Stand.					
33805	24/10/06	PK	HARTING EURL F-95972 Paris				TB 09 99 000 0710	Blatt/ Page 1 / 1
Mod.	Dot.	Name						