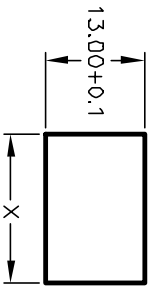
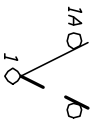


PANEL THICKNESS	X dimension
0.75-1.25 [0.30-.0491]	19.2-.01 [7.561]
1.25-2.0 [0.49-.079]	19.4-.01 [7.641]
2.0-3.0 [0.79-.118]	19.8-.01 [7.801]



PANEL CUTOUT  
NOT TO SCALE

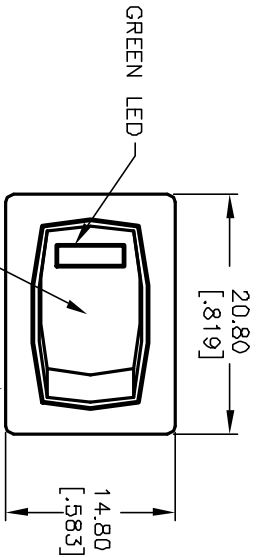
SWITCH FUNCTION	PDS, 1	PDS, 2
DN	DN	DN
1-1a	DPEN	DPEN



CIRCUIT: SPST

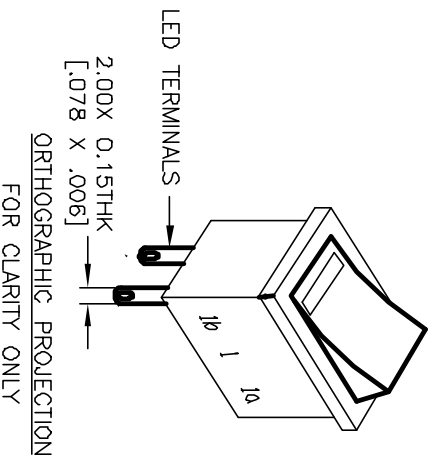
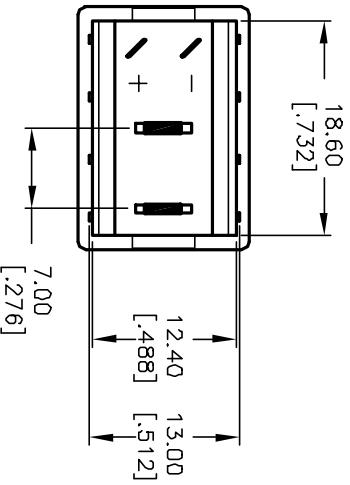
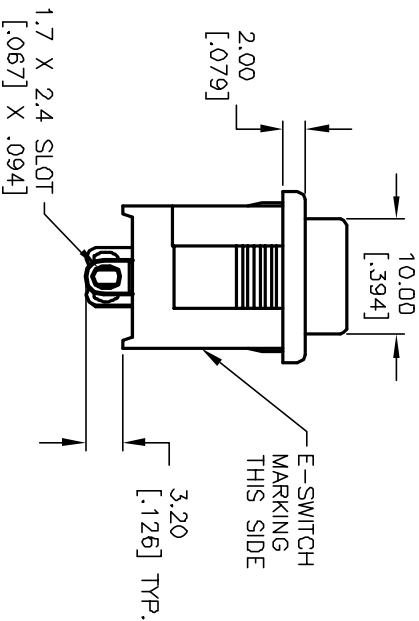
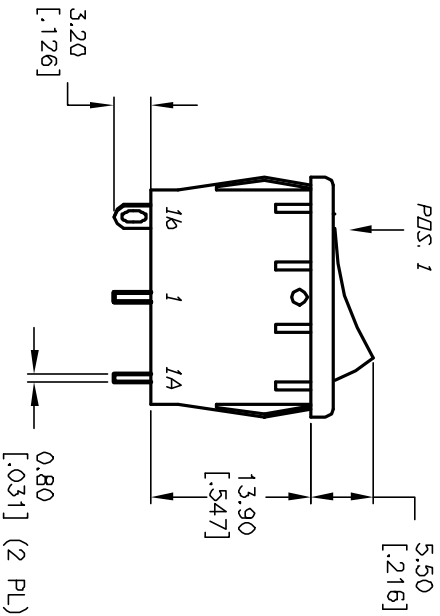
NOTES:

1. ALL DIMENSIONS IN MM [INCH]
2. GENERAL TOLERANCE: X.X=±0.4  
X.XX=±0.25
3. TERMINAL NUMBERS FOR REF ONLY
4. RATING: 15A @ 125VAC OR 6A @ 250VAC
5. MATERIALS: (TERMINALS) SILVER PLATED COPPER  
(CONTACTS) COIN SILVER, SILVER PLATED.
6. CONTACT RESISTANCE: <20 Mega
7. ELECTRICAL LIFE: 10,000 cycles
8. INSULATION RESISTANCE: >1000 Mega
9. DIELECTRIC STRENGTH: >1500V 1 minute  
>3000V between Poles
10. OPERATING TEMP.: -25°C to +85°C



GREEN L.E.D

PARAMETERS	SYMBOL	MAX. TYP.	UNITS
POWER DISSIPATION	$P_D$	80	mW
AVE FORWARD CURRENT	$I_{AF}$	--	mA
PEAK FORWARD CURRENT	$I_{PF}$	100	mA
REVERSE VOLTAGE	$V_R$	5	V
FORWARD VOLTAGE	$V_F$	2.6	V
REVERSE CURRENT	$I_R$	100	$\mu A$
EMISSION WAVELENGTH	$\lambda_p$	570	nm
LUMINOUS INTENSITY	$I_v$	30	mcd



**E-SWITCH**®

REV.	ECN No.	DESCRIPTION	DATE	CHKD	SCALE	DATE	DR	DWG	REV
B	11666	REVISED AND REDRAWN	9/20/01	CJB	1.5:1	12/15/97	MM	M309201	B
TITLE: R1966A BLK GRY E S GRN THE INFORMATION CONTAINED IN THIS DOCUMENT IS PROPRIETARY TO E-SWITCH AND IS NOT TO BE COPIED OR TRANSFERRED									