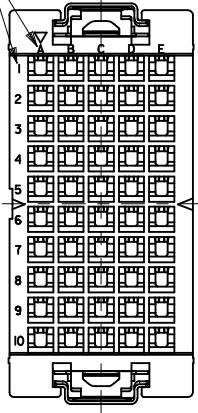


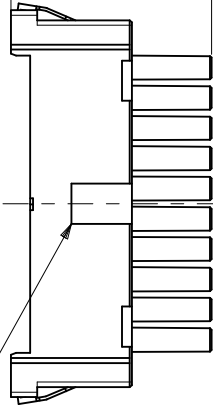
回路番号表示
CKT.No.IDENTIFICATION



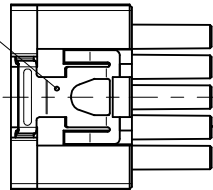
電線挿入側
WIRE SIDE

シエル挿入方向キー
POLARIZATIONS KEY FOR SHELL

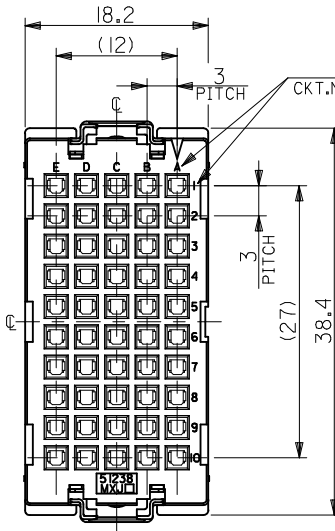
19.9



②



嵌合側
MATING SIDE



回路番号表示
CKT.No.IDENTIFICATION

シエル挿入方向キー
POLARIZATIONS KEY FOR SHELL

注記
NOTES

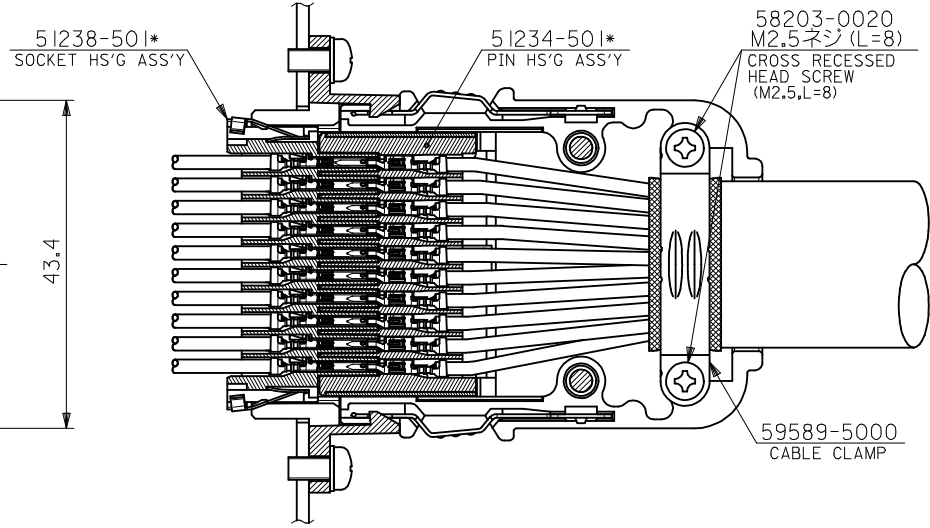
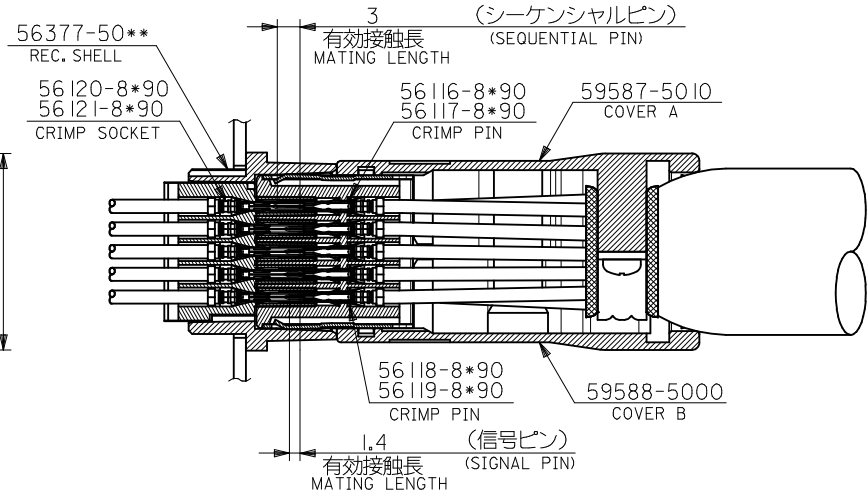
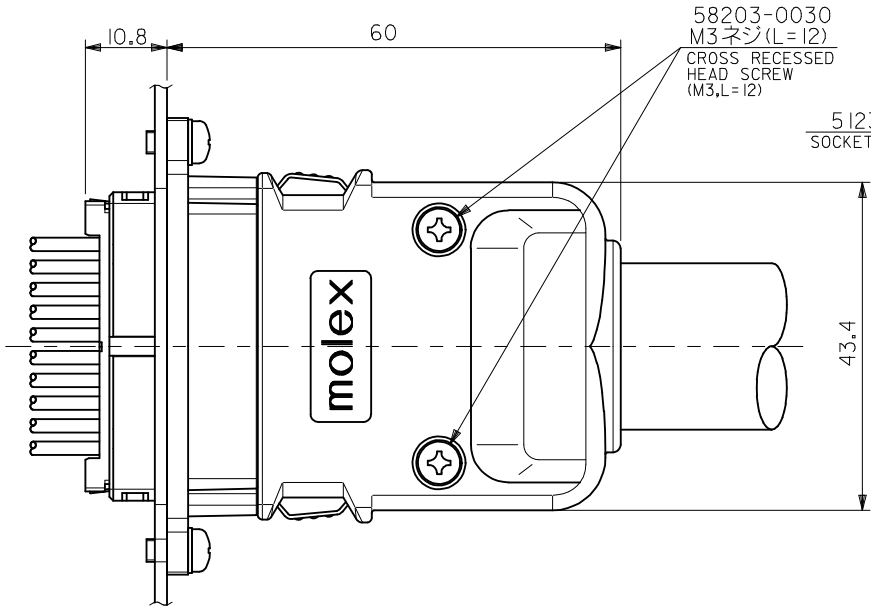
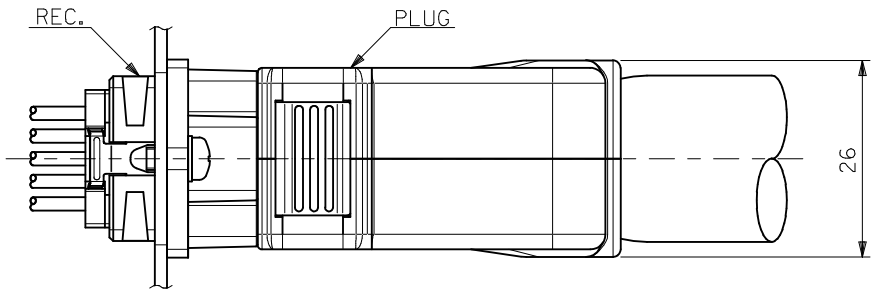
- 材質
MATERIAL
①ハウジング：ガラス入りPBT樹脂
HOUSING : PBT G.F.
UL94V-0 色：灰
UL94V-0 COLOR : GRAY
②スプリング：ステンレス鋼 t0.3
SPRING : STAINLESS STEEL t0.3
- 適用端子：56120-8*90, 56121-8*90
APPLICABLE CRIMP PIN : 56120-8*90, 56121-8*90
- 適用リセプタクル シエル：56377-50**
APPLICABLE RECEPTACLE SHELL : 56377-50**
- 嵌合相手：51234-501*
MEET WITH : 51234-501*

<誤嵌合防止キー(極性)タイプ> <POLARITY KEY TYPE>

51238-5011	51238-5012	51238-5013	51238-5014	51238-5015
STANDARD TYPE	A TYPE	B TYPE	C TYPE	D TYPE

D-6	C	51238-5014	51238-***1*	50
C-6	B	51238-5013		
C-5	STANDARD	51238-5011		
POLARITY POSITION (CIRCUIT NO.)	POLARITY TYPE	MATERIAL NO.	MODEL NO.	CIRCUIT

REVISED EC NO: J2009-1234 DRWN: YOSHIDAM 2008/12/15 CHKD: THARUYAMA 2008/12/15 APPR: NUKITA 2008/12/16	DESCRIPTION REV	GENERAL TOLERANCES (UNLESS SPECIFIED)		DIMENSION STYLE MM ONLY		SCALE ---	DESIGN UNITS METRIC	THIRD ANGLE PROJECTION	
		10 UNDER	±0.2	DRAWN BY S. AKIYAMA	DATE '02/01/21	TITLE COMPACT ROBOT CONN. 50CKT. REC. SOCKET HS'G ASS'Y			
		10 OVER 30 UNDER	±0.25	CHECKED BY J. MIYAZAWA	DATE '02/01/21	MOLEX INCORPORATED			
		30 OVER	±0.3	APPROVED BY Y. ITO	DATE '02/01/21	DOCUMENT NO. SD-51238-015			
ANGULAR ±3° DRAFT WHERE APPLICABLE MUST REMAIN WITHIN DIMENSIONS		MATERIAL NO. SEE TABLE		SIZE A3		SHEET NO. 1 OF 4			

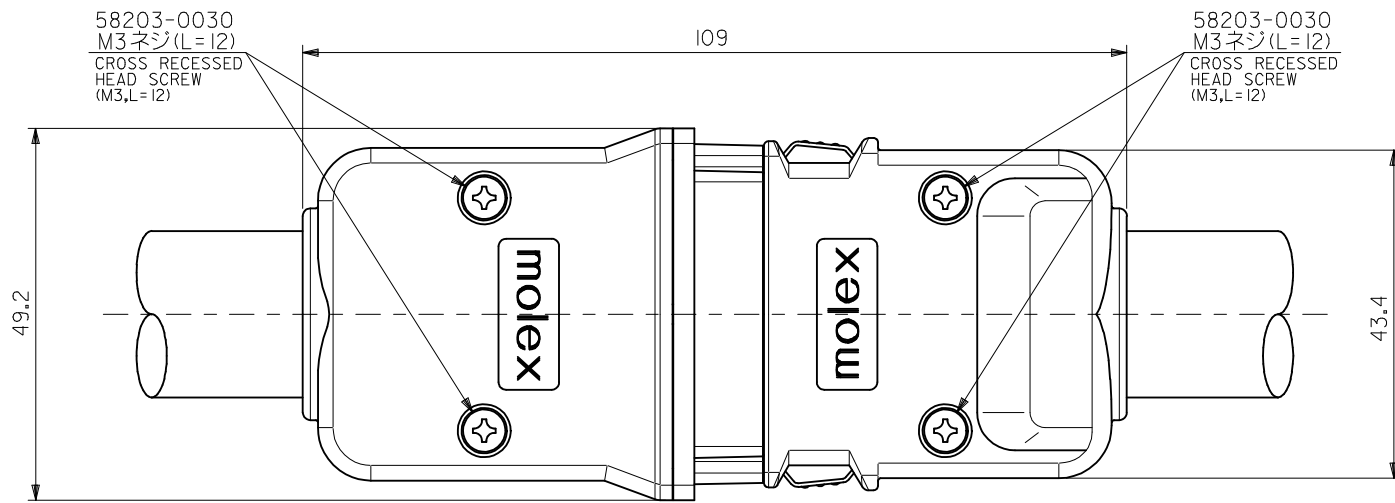
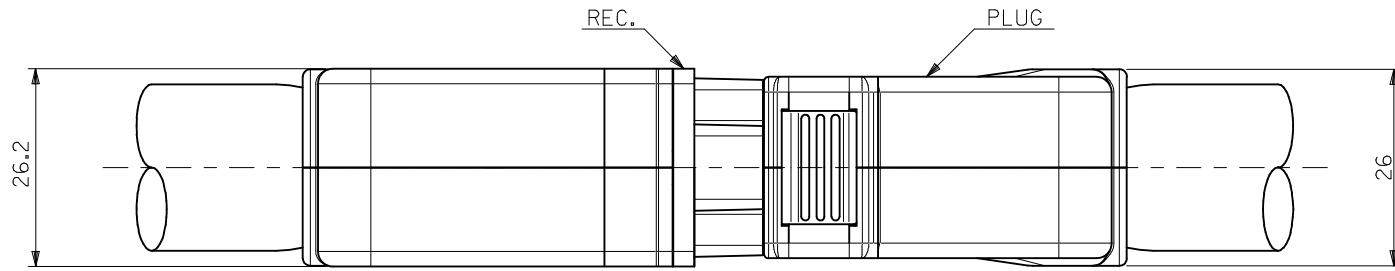


嵌合図

CROSS-SECTION VIEW OF MATED CONNECTOR

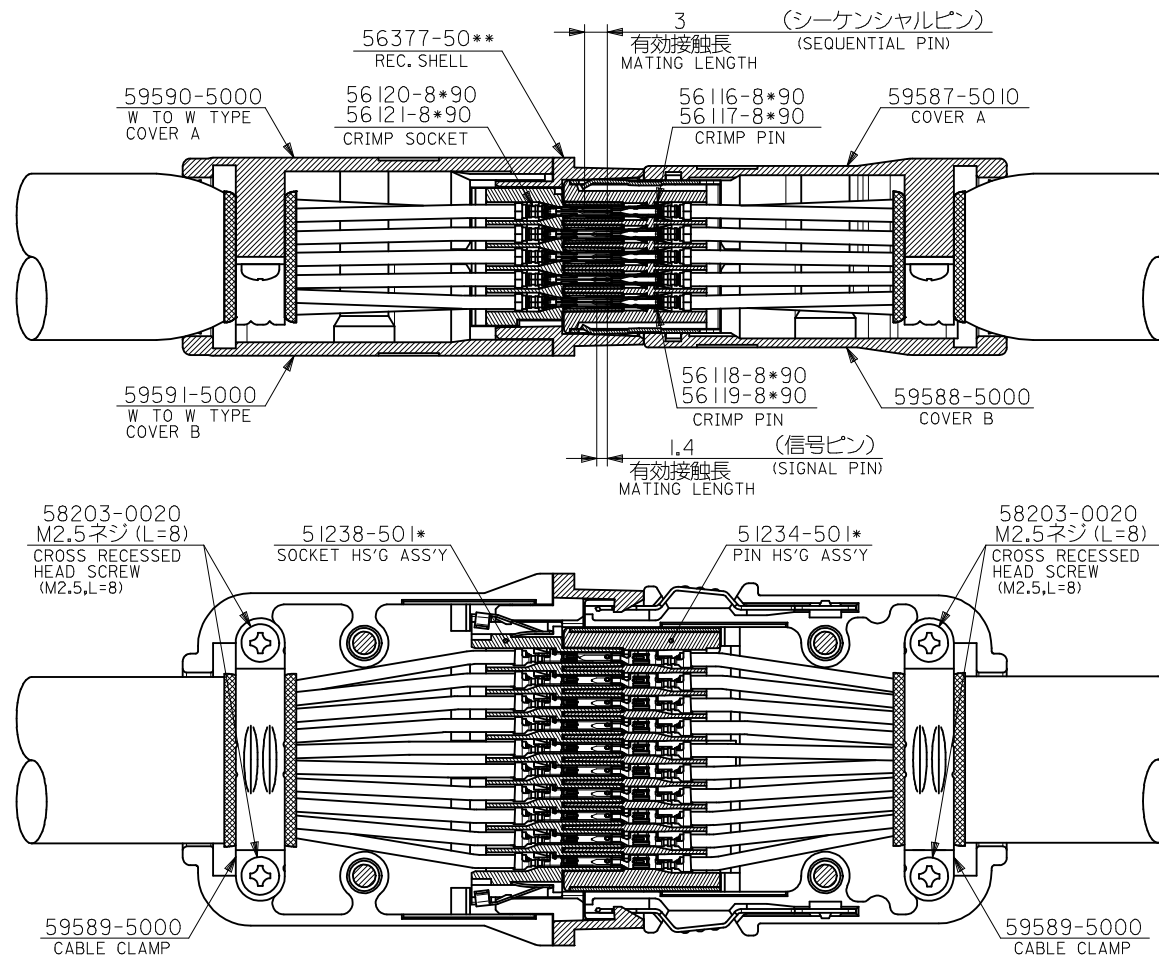
REVISED EC NO: J2009-1234 DRWN: YOSHIDAM 2008/12/15 CHKD: THARUYAMA 2008/12/15 APPR: NUKITA 2008/12/16	GENERAL TOLERANCES (UNLESS SPECIFIED)		DIMENSION STYLE	SCALE	DESIGN UNITS	THIRD ANGLE PROJECTION
			MM ONLY	---	METRIC	
	10 UNDER	±0.2	DRAWN BY	DATE	TITLE	
	10 OVER 30 UNDER	±0.25	A. SHIMOTSU	'02/01/29	COMPACT ROBOT CONN. 50CKT. REC. SOCKET HS'G ASS'Y	
30 OVER	±0.3	CHECKED BY	DATE	MOLEX INCORPORATED		
		J. MIYAZAWA	'02/01/29			
		APPROVED BY	DATE			
		Y. ITO	'02/01/29			
		ANGULAR	±3 °	MATERIAL NO.	DOCUMENT NO.	SHEET NO.
		DRAFT WHERE APPLICABLE MUST REMAIN WITHIN DIMENSIONS		SEE SHEET 1	SD-51238-015	2 OF 4
		SIZE	A3	THIS DRAWING CONTAINS INFORMATION THAT IS PROPRIETARY TO MOLEX INCORPORATED AND SHOULD NOT BE USED WITHOUT WRITTEN PERMISSION		

10 9 8 7 6 5 4 3 2 1



嵌合図 (中継タイプ)
CROSS-SECTION VIEW OF MATED CONNECTOR
(WIRE TO WIRE TYPE)

REVISED EC NO: J2009-1234 DRWN: YOSHIDAM 2008/12/15 CHKD: THARUYAMA 2008/12/15 APPR: NUKITA 2008/12/16	GENERAL TOLERANCES (UNLESS SPECIFIED)		DIMENSION STYLE MM ONLY		SCALE ---	DESIGN UNITS METRIC	THIRD ANGLE PROJECTION	
	10 UNDER	±0.2	DRAWN BY S. AKIYAMA	DATE '02/01/29	TITLE COMPACT ROBOT CONN. 50CKT. REC. SOCKET HS'G ASS'Y			
	10 OVER 30 UNDER	±0.25	CHECKED BY J. MIYAZAWA	DATE '02/02/04	MOLEX INCORPORATED			
	30 OVER	±0.3	APPROVED BY Y. ITO	DATE '02/02/04	MATERIAL NO. SEE SHEET 1	DOCUMENT NO. SD-51238-015	SHEET NO. 3 OF 4	
	ANGULAR ±3 °	THIS DRAWING CONTAINS INFORMATION THAT IS PROPRIETARY TO MOLEX INCORPORATED AND SHOULD NOT BE USED WITHOUT WRITTEN PERMISSION						
	DRAFT WHERE APPLICABLE MUST REMAIN WITHIN DIMENSIONS							



嵌合図 (中継タイプ)
CROSS-SECTION VIEW OF MATED CONNECTOR
(WIRE TO WIRE TYPE)

REVISED EC NO.: J2009-1234 DRWN: YOSHIDAM 2008/12/15 CHKD: THARUYAMA 2008/12/15 APPR: NUKITA 2008/12/16	GENERAL TOLERANCES (UNLESS SPECIFIED)		DIMENSION STYLE MM ONLY		SCALE ---	DESIGN UNITS METRIC	THIRD ANGLE PROJECTION	
	10 UNDER	±0.2	DRAWN BY S. AKIYAMA	DATE '02/01/29	TITLE COMPACT ROBOT CONN. 50CKT. REC. SOCKET HS'G ASS'Y			
	10 OVER 30 UNDER	±0.25	CHECKED BY J. MIYAZAWA	DATE '02/02/04	MOLEX INCORPORATED			
	30 OVER	±0.3	APPROVED BY Y. ITO	DATE '02/02/04	MATERIAL NO. SEE SHEET 1	DOCUMENT NO. SD-51238-015	SHEET NO. 4 OF 4	
	ANGULAR ±3 °		DRAFT WHERE APPLICABLE MUST REMAIN WITHIN DIMENSIONS		THIS DRAWING CONTAINS INFORMATION THAT IS PROPRIETARY TO MOLEX INCORPORATED AND SHOULD NOT BE USED WITHOUT WRITTEN PERMISSION			