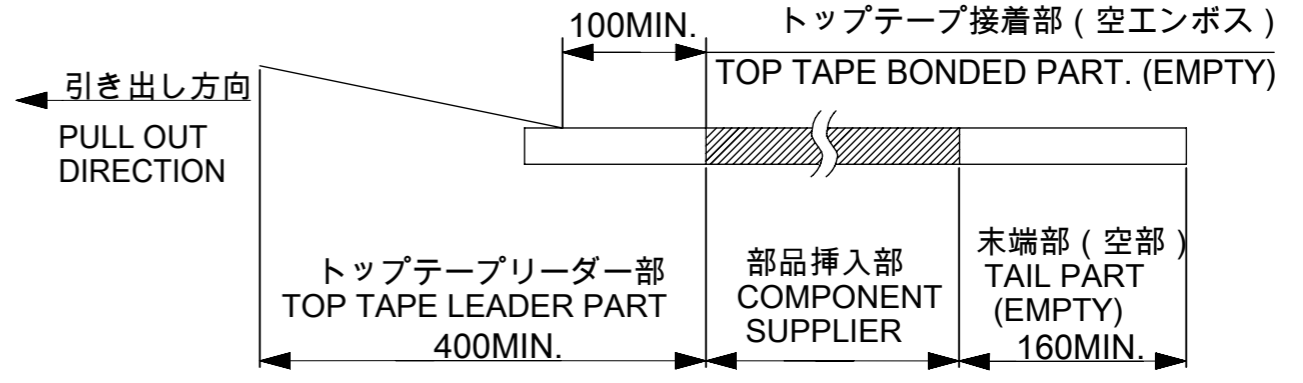
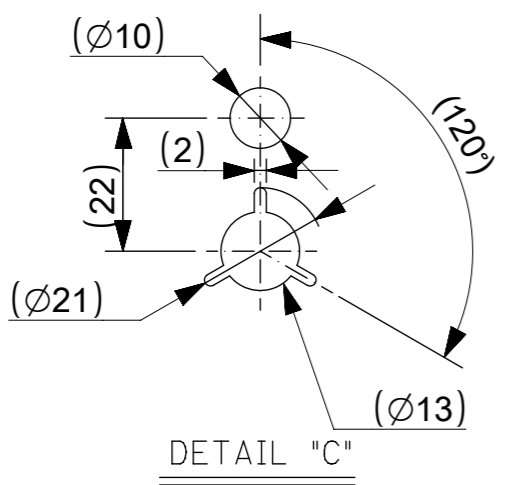


注記 NOTES

1. 製品詳細寸法については図面5047541000を参照下さい。
REFER TO THE 5047541000 ABOUT DIMENSIONS IN DETAIL.
2. 梱包数量：5000個/リール
NUMBER OF CONNECTORS：5000 PCS/REEL
3. リードテープ長さ
LEAD TAPE LENGTH

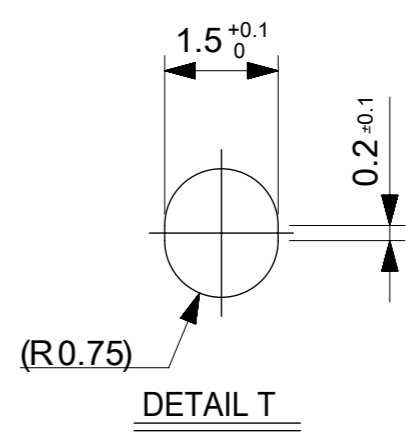
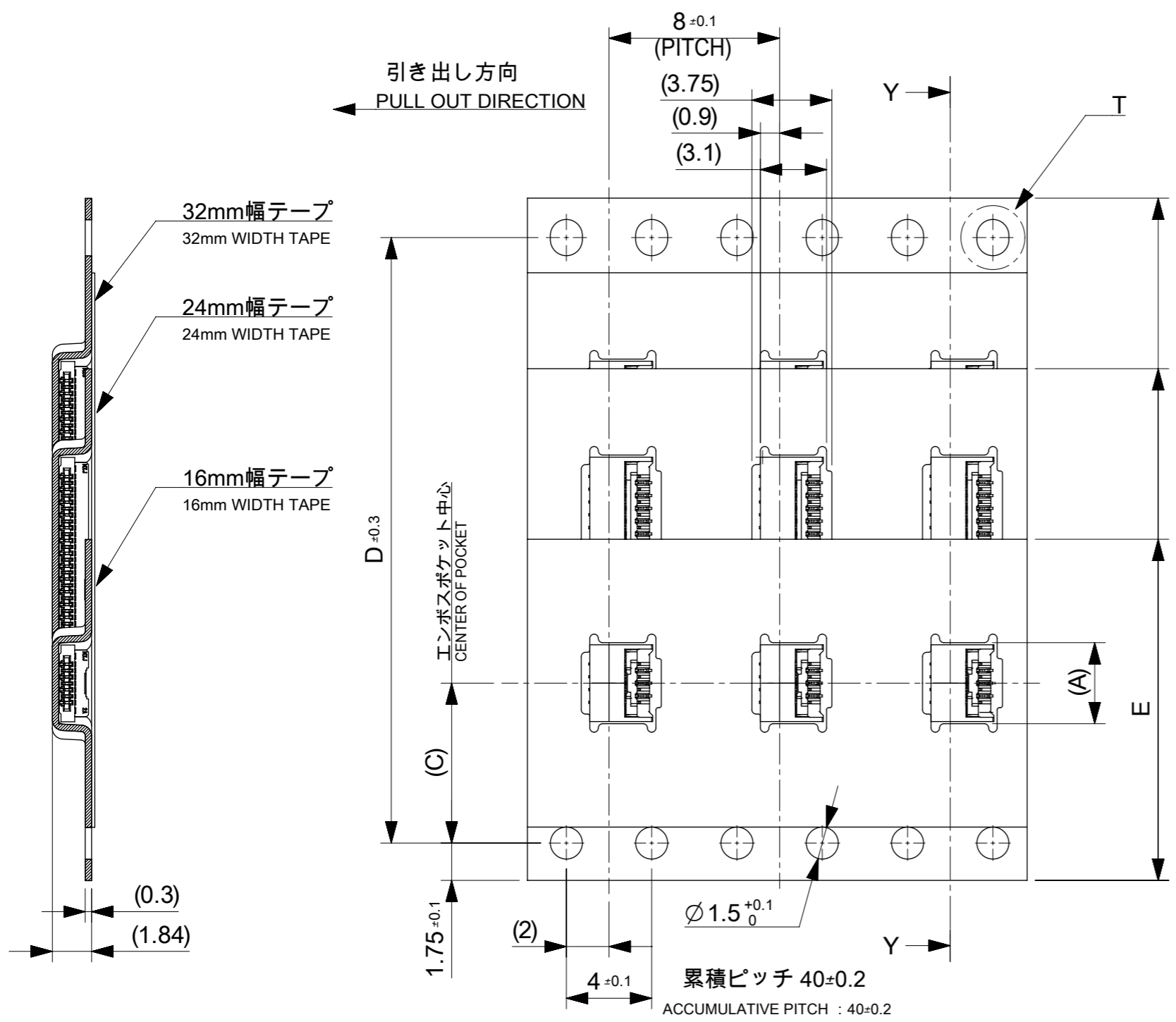


4. 材料 MATERIAL
キャリアテープ(CARRIER TAPE)：ポリスチレン(POLYSTYRENE)
トップテープ(TOP TAPE)：PET, PE, PEF
リール(REEL)：ポリスチレン(PS)リサイクル材含む
POLYSTYRENE(PS)RECYCLE MATERIAL CONTAINED
5. ELV及びRoHS適合品
ELV AND RoHS COMPLIANT



THIS DRAWING CONTAINS INFORMATION THAT IS PROPRIETARY TO MOLEX ELECTRONIC TECHNOLOGIES, LLC AND SHOULD NOT BE USED WITHOUT WRITTEN PERMISSION

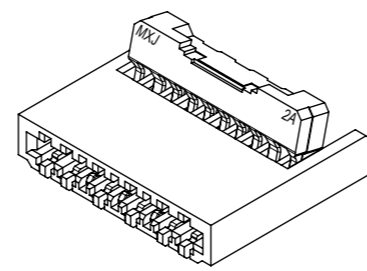
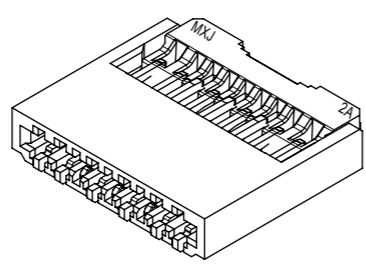
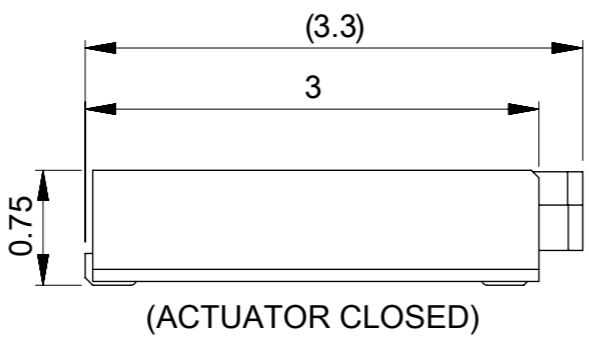
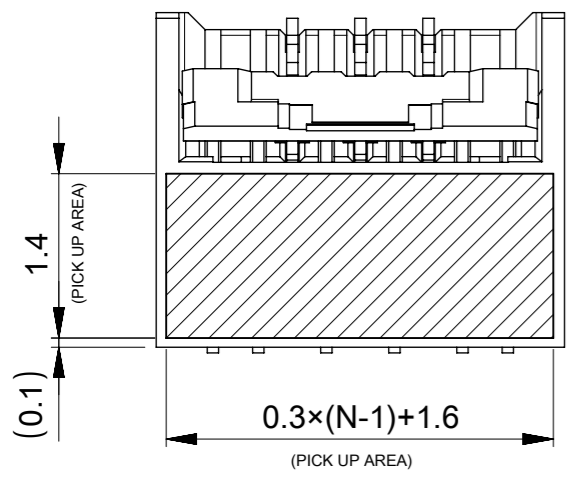
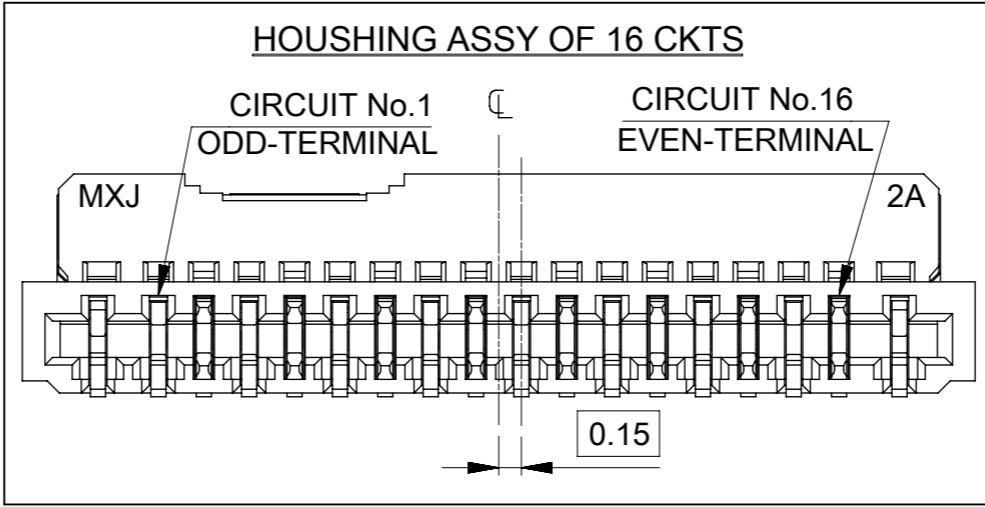
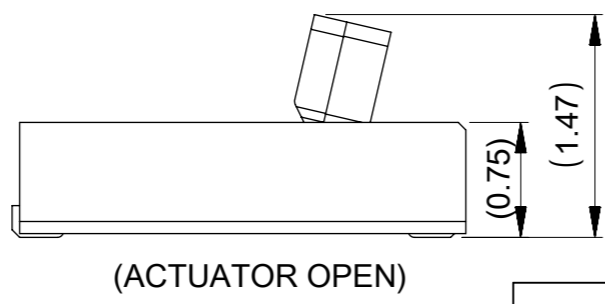
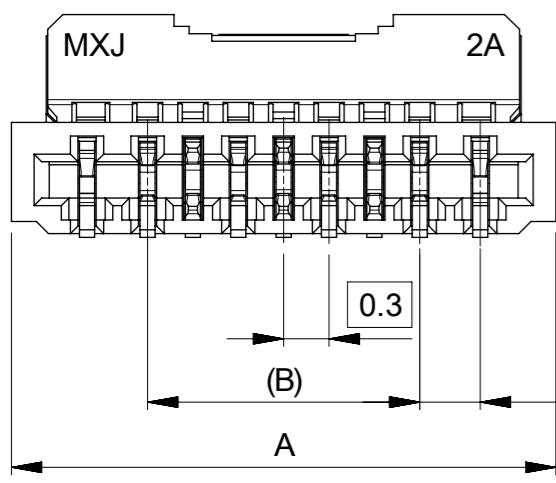
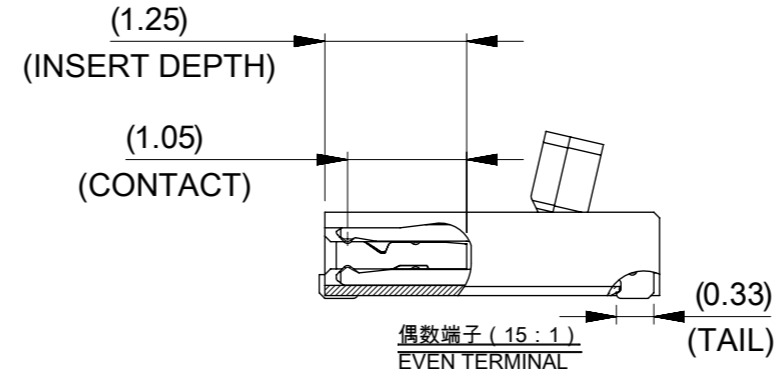
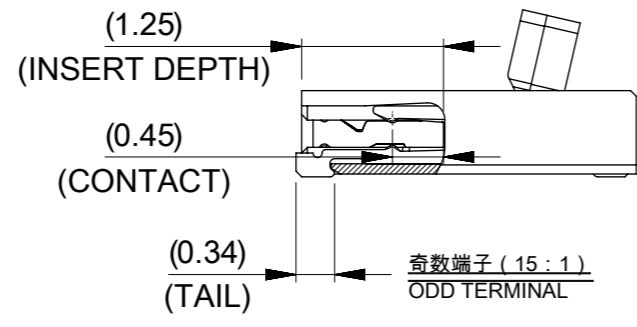
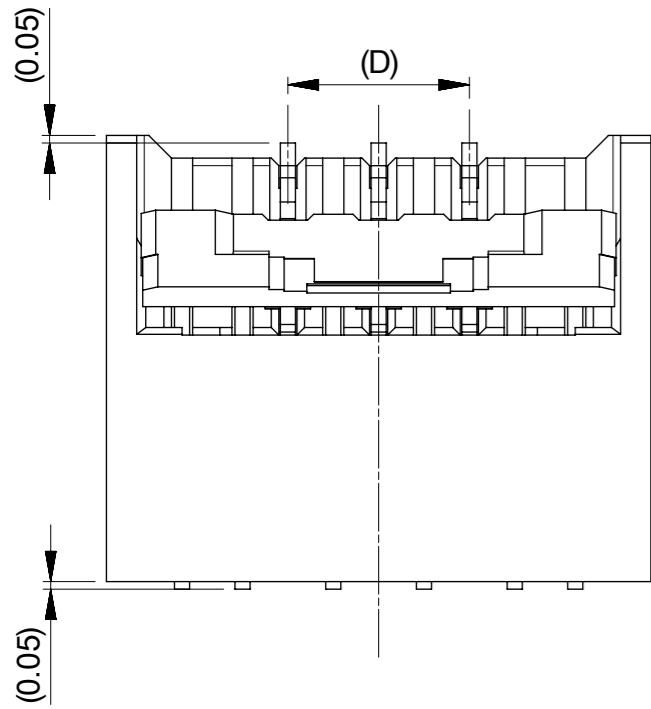
REVISED	EC NO: 106328	2016/07/05	GENERAL TOLERANCES (UNLESS SPECIFIED)	DIMENSION UNITS	SCALE			
	DRWN: YCHEN128	2016/07/07	ANGULAR TOL $\pm 1.0^\circ$	MM	± 0.1			
	CHK'D: YKOBAYASHI02	2016/07/07	4 PLACES ± 0.03	DRWN BY	DATE			
	APPR: TKUSUHARA01		3 PLACES ± 0.03	AYOSHII01	2016/03/18			
			2 PLACES ± 0.05	CHK'D BY	DATE			
		1 PLACE ± 0.1	YKOBAYASHI02	2016/03/31	0.3 FPC CONN. B/F LA75 SERIES TAPING PKG PRODUCT CUSTOMER DRAWING			
		0 PLACES ± 0.2	APPR BY	DATE				
		DRAFT WHERE APPLICABLE MUST REMAIN WITHIN DIMENSIONS	TKUSUHARA01	2016/03/31				
			DRAWING SIZE	THIRD ANGLE PROJECTION	SERIES	MATERIAL NUMBER	CUSTOMER	
			A3		504754	SEE CHART		
					DOCUMENT NUMBER	DOC TYPE	DOC PART	SHEET NUMBER
					5047540000	PSD	000	1 OF 2



32±0.3	28.4	14.2	33.4	20.0	504754-6100	61			
				17.0	504754-5100	51			
24±0.3	--	11.5	25.4	14.0	504754-4100	41			
				13.4	504754-3900	39			
				12.8	504754-3700	37			
				12.2	504754-3500	35			
				11.6	504754-3300	33			
				11.0	504754-3100	31			
				9.2	504754-2500	25			
				8.0	504754-2100	21			
16±0.3	--	7.5	17.4	6.5	504754-1600	16			
				6.2	504754-1500	15			
				4.9	504754-1100	11			
				4.3	504754-0900	9			
				3.7	504754-0700	7			
Eキャリアテープ幅 EMBOSSED TAPE WIDTH				D	C	B	A	オーダー番号 ORDER NO.	極数 CIRCUITS

THIS DRAWING CONTAINS INFORMATION THAT IS PROPRIETARY TO MOLEX ELECTRONIC TECHNOLOGIES, LLC AND SHOULD NOT BE USED WITHOUT WRITTEN PERMISSION

EC NO: 106328 DRWN: YCHEN128 CHK'D: YKOBAYASHI02 APPR: TKUSUHARA01	2016/07/05	2016/07/07	2016/07/07	GENERAL TOLERANCES (UNLESS SPECIFIED) ANGULAR TOL ± 1.0 ° 4 PLACES ± 0.03 3 PLACES ± 0.03 2 PLACES ± 0.05 1 PLACE ± 0.1 0 PLACES ± 0.2 DRAFT WHERE APPLICABLE MUST REMAIN WITHIN DIMENSIONS	DIMENSION UNITS	SCALE	
	REVISED	MM	±0.1				
	DRWN BY	DATE	AYOSHII01 2016/03/18				
	CHK'D BY	DATE	YKOBAYASHI02 2016/03/31				
	APPR BY	DATE	TKUSUHARA01 2016/03/31				
DRAWING SIZE		THIRD ANGLE PROJECTION		PRODUCT CUSTOMER DRAWING			
A3				SERIES	MATERIAL NUMBER	CUSTOMER	
				504754	SEE CHART		
RELEASE STATUS				P1	RELEASE DATE	07.07.2016	08:34:58
DOCUMENT NUMBER		DOC TYPE		DOC PART	SHEET NUMBER		
5047540000		PSD		000	2 OF 2		



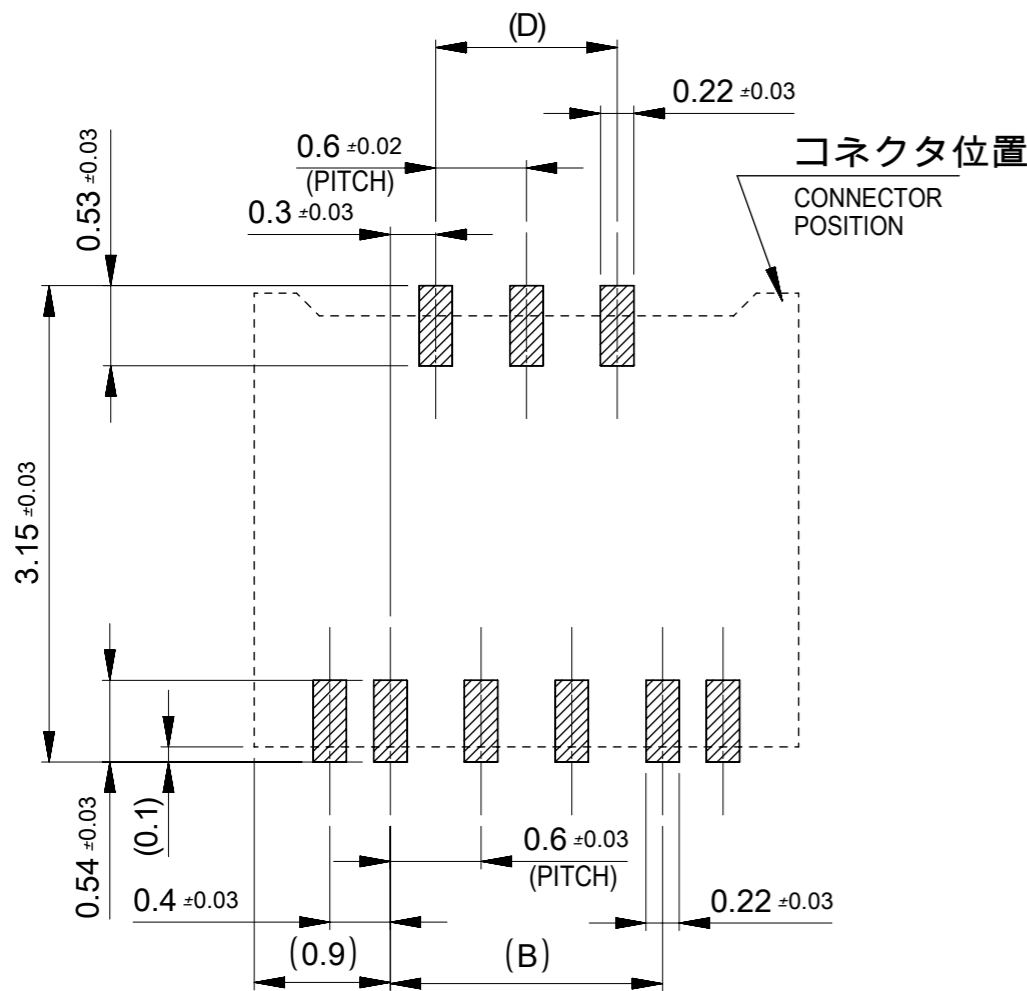
推奨ピックアップエリア(15:1)
RECOMMENDED PICK UP AREA

- 注記 NOTES:
- 材質 MATERIAL
ハウジング: 液晶ポリマー(LCP)、黒色、ガラス充填、UL94 V-0
HOUSING: LIQUID CRYSTAR POLYMER, BLACK, GLASS FILLED, UL94 V-0
アクチュエータ: ポリアミド樹脂(PA)、灰色、ガラス充填、UL94 HB
ACTUATOR: POLYAMIDE, GRAY, GLASS FILLED, UL94 HB
奇数ターミナル: 銅合金 (t=0.10)
ODD TERMINAL: COPPER ALLOY(t=0.10)
偶数ターミナル: 銅合金 (t=0.10)
EVEN TERMINAL: COPPER ALLOY(t=0.10)
ロックターミナル: 銅合金 (t=0.10)
LOCK TERMINAL: COPPER ALLOY(t=0.10)
 - めっき仕様 PLATING
奇数 / 偶数ターミナル ODD/EVEN TERMINAL
接点部: 部分金めっき(0.1μm以上)
CONTACT AREA: SEPARATED GOLD PLATING (0.1 MICROMETER MINIMUM)
半田付け部: 部分金めっき
SOLDER TAIL AREA: SEPARATED GOLD PLATING
下地: ニッケルめっき(1.0μm以上)
UNDERPLATE: NICKEL PLATING(1.0 MICROMETER MINIMUM)
ロックターミナル LOCK TERMINAL
半田付け部: 部分金めっき
SOLDER TAIL AREA: SEPARATED GOLD PLATING
下地: ニッケルめっき(1.0μm以上)
UNDERPLATE: NICKEL PLATING(1.0 MICROMETER MINIMUM)
 - 平坦度は、0.1mm以下とする。
TAILS' COPLANARITY TO BE 0.1 MAXIMUM.
 - ELV及びRoHS適合品
ELV AND RoHS COMPLIANT

18.5	17.4	19.3	18.0	19.8	504754-6100	61
15.5	14.4	16.3	15.0	16.8	504754-5100	51
12.5	11.4	13.3	12.0	13.8	504754-4100	41
11.9	10.8	12.7	11.4	13.2	504754-3900	39
11.3	10.2	12.1	10.8	12.6	504754-3700	37
10.7	9.6	11.5	10.2	12.0	504754-3500	35
10.1	9.0	10.9	9.6	11.4	504754-3300	33
9.5	8.4	10.3	9.0	10.8	504754-3100	31
7.7	6.6	8.5	7.2	9.0	504754-2500	25
6.5	5.4	7.3	6.0	7.8	504754-2100	21
5.0	4.2	5.8	4.5	6.3	504754-1600	16
4.7	3.6	5.5	4.2	6.0	504754-1500	15
3.5	2.4	4.3	3.0	4.8	504754-1100	11
2.9	1.8	3.7	2.4	4.2	504754-0900	9
2.3	1.2	3.1	1.8	3.6	504754-0700	7
E	D	C	B	A	EMBOSSED PACKAGE	CIRCUITS
オーダー番号: ORDER NO.						
CONNECTOR SERIES 504754-**09						

THIS DRAWING CONTAINS INFORMATION THAT IS PROPRIETARY TO MOLEX ELECTRONIC TECHNOLOGIES, LLC AND SHOULD NOT BE USED WITHOUT WRITTEN PERMISSION

REVISED EC NO: 113640 DRWN: YCHEN128 CHK'D: YKOBAYASHI02 APPR: TKUSUHARA01	2017/02/17	2017/02/20	2017/02/20	GENERAL TOLERANCES (UNLESS SPECIFIED)	DIMENSION UNITS	SCALE		
				ANGULAR TOL ± 1.0 °	MM	20:1		
	4 PLACES	± 0.03	AYOSHII01	DATE	2016/03/18			
	3 PLACES	± 0.03	YKOBAYASHI02	DATE	2016/03/31			
2 PLACES	± 0.05	TKUSUHARA01	DATE	2016/03/31	PRODUCT CUSTOMER DRAWING		SERIES: 504754 MATERIAL NUMBER: SEE SHEET 1 CUSTOMER:	
1 PLACE	± 0.1				DOCUMENT NUMBER: 5047541000	DOC TYPE: PSD		DOC PART: 000
0 PLACES	± 0.2				DRAWING SIZE: A3	THIRD ANGLE PROJECTION		
DRAFT WHERE APPLICABLE MUST REMAIN WITHIN DIMENSIONS								



推奨基板レイアウト

RECOMMENDED P.C. BOARD
PATTERN LAYOUT

推奨メタルマスク厚さ : 0.1mm

RECOMMENDED METAL MASK THICKNESS : 0.1mm

推奨開口率 : 80%

APERTURE RATE : 80%

注記
NOTE

- 必ず基板に実装してからアクチュエータを操作して下さい。
PLEASE OPERATE THE ACTUATOR AFTER MOUNTING ON THE SUBSTRATE.
- FPCについて

ABOUT FPC

補強フィルム材質はポリイミドを推奨します。ベースフィルムは25μmを推奨します。

接着剤は熱硬化接着剤を推奨します。

尚、接着剤の接点部への付着は導通不良の原因になりますので、染み出しが無い様、お願い致します。

RECOMMENDED STIFFENER MATERIAL: POLYIMIDE

RECOMMENDED BASE FILM THICKNESS: 25 MICROMETER

RECOMMENDED ADHESIVE: THERMOSETTING ADHESIVE

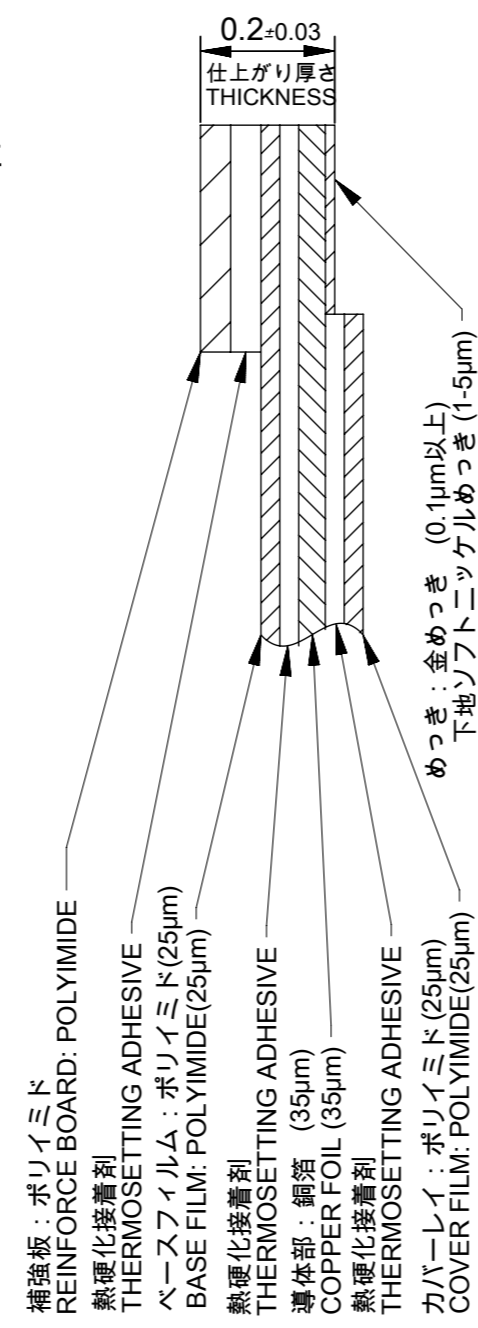
NOTE: PLEASE PUT APPROPRIATE AMOUNT OF ADHESIVE

ON ADHEREND BECAUSE THERE IS A POSSIBILITY THAT THE EXTRA ADHESIVE CAUSES THE DEFECT IN ELECTRICAL CONTINUITY.

打抜き方向は導体側から補強板側を推奨致します。

RECOMMENDED PUNCHER DIRECTION:

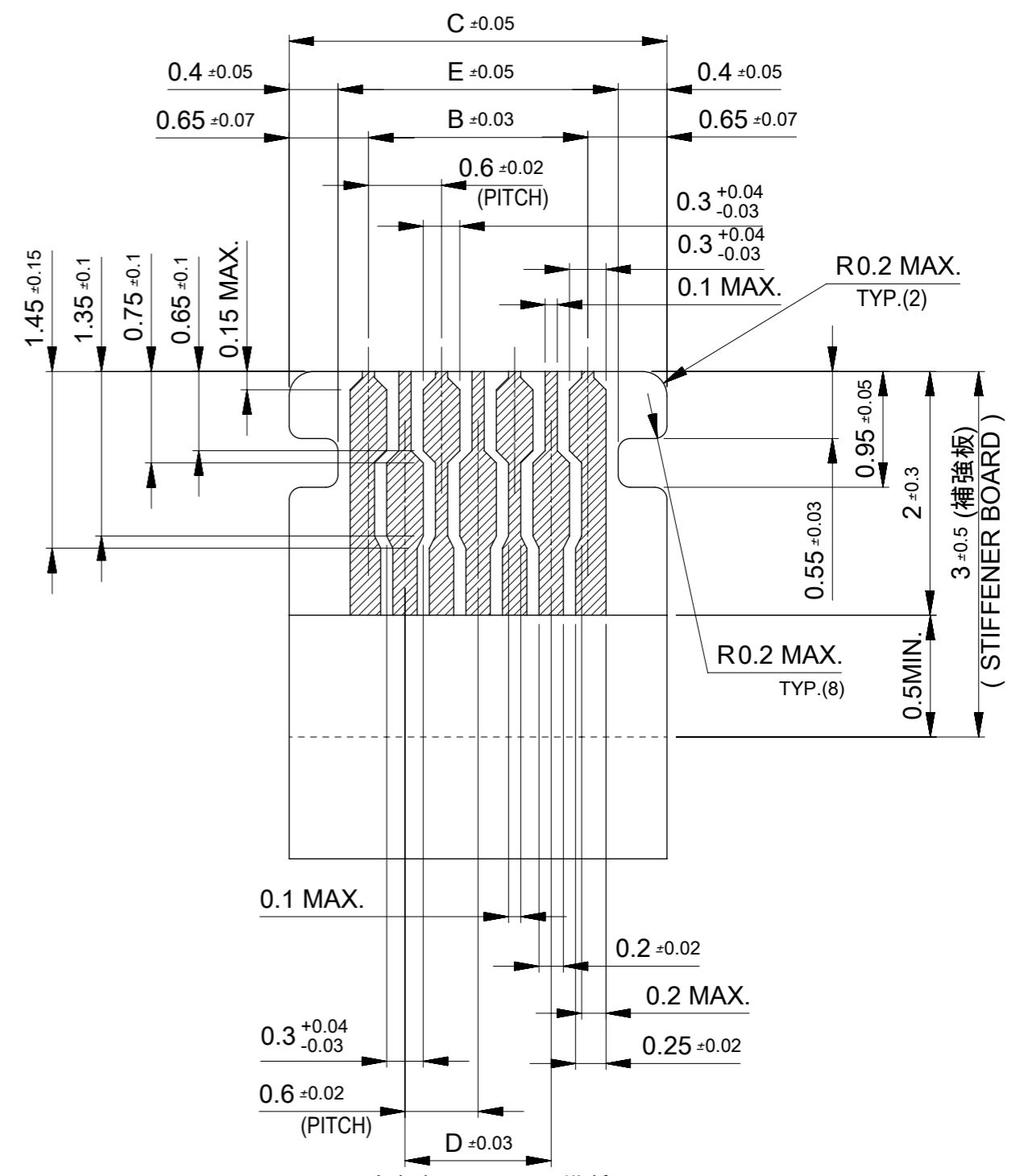
FROM CONDUCTOR SIDE TO STIFFENER FILM SIDE.



FPC構成推奨仕様
STRUCTURE OF FPC

めっき : 金めっき (0.1μm以上)
下地ソフトニッケルめっき (1-5μm)

PLATING: GOLD PLATING(0.1μmMIN.)
SOFT NICKEL UNDERPLATE (1-5μm)

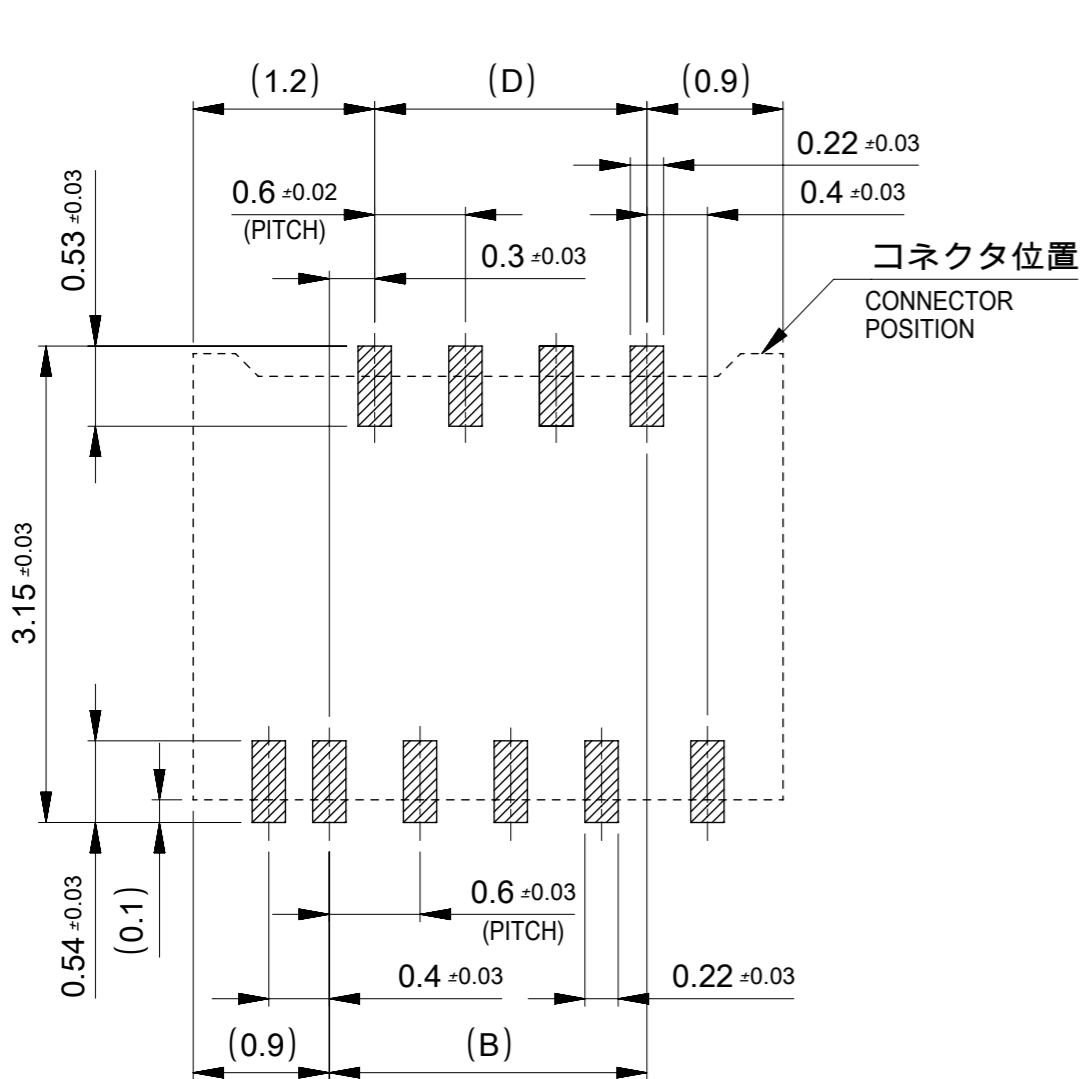


適合金メッキFPC推奨寸法
仕上がり厚さ : 0.2 ±0.03

APPLICABLE FPC WITH GOLD PLATING
RECOMMENDED DIMENSION
THICKNESS : 0.2 ±0.03

奇数極ASSY用
FOR ODD CKT ASSY

THIS DRAWING CONTAINS INFORMATION THAT IS PROPRIETARY TO MOLEX ELECTRONIC TECHNOLOGIES, LLC AND SHOULD NOT BE USED WITHOUT WRITTEN PERMISSION												
REVISED	2017/02/17	2017/02/20	2017/02/20	GENERAL TOLERANCES (UNLESS SPECIFIED)		DIMENSION UNITS	SCALE					
	2017/02/17	2017/02/20	2017/02/20	ANGULAR TOL ± 1.0 °		MM	20:1					
	EC NO: 113640	DRWN: YCHEN128	CHK'D: YKOBAYASHI02	APPR: TKUSUHARA01	4 PLACES	± 0.03	DRWN BY	DATE	0.3 FPC LA75 SERIES ASSY			
					3 PLACES	± 0.03	AYOSHII01	2016/03/18				
					2 PLACES	± 0.05	CHK'D BY	DATE	PRODUCT CUSTOMER DRAWING			
				1 PLACE	± 0.1	YKOBAYASHI02	2016/03/31					
				0 PLACES	± 0.2	APPR BY	DATE	SERIES MATERIAL NUMBER CUSTOMER				
				DRAFT WHERE APPLICABLE MUST REMAIN WITHIN DIMENSIONS		TKUSUHARA01	2016/03/31					504754 SEE SHEET 1
C	REV					DRAWING SIZE	THIRD ANGLE PROJECTION	DOCUMENT NUMBER		DOC TYPE	DOC PART	SHEET NUMBER
						A3		5047541000		PSD	000	2 OF 3



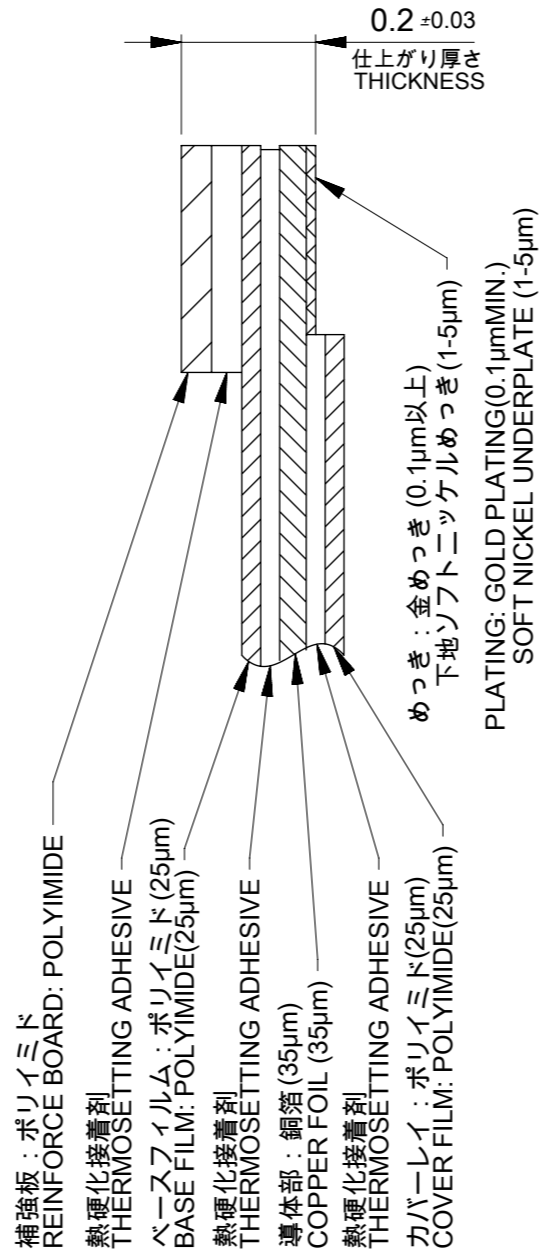
推奨基板レイアウト
RECOMMENDED P.C. BOARD
PATTERN LAYOUT

推奨メタルマスク厚さ : 0.1mm
RECOMMENDED METAL MASK THICKNESS : 0.1mm

推奨開口率 : 80%
APERTURE RATE : 80%

- 注記
NOTE
- 必ず基板に実装してからアクチュエータを操作して下さい。
PLEASE OPERATE THE ACTUATOR AFTER MOUNTING ON THE SUBSTRATE.
 - FPCについて
ABOUT FPC
補強フィルム材質はポリイミドを推奨します。ベースフィルムは25μmを推奨します。
接着剤は熱硬化接着剤を推奨します。
尚、接着剤の接点部への付着は導通不良の原因になりますので、染み出しが無い様、お願い致します。
RECOMMENDED STIFFENER MATERIAL: POLYIMIDE
RECOMMENDED BASE FILM THICKNESS: 25 MICROMETER
RECOMMENDED ADHESIVE: THERMOSETTING ADHESIVE
NOTE: PLEASE PUT APPROPRIATE AMOUNT OF ADHESIVE ON ADHEREND BECAUSE THERE IS A POSSIBILITY THAT THE EXTRA ADHESIVE CAUSES THE DEFECT IN ELECTRICAL CONTINUITY.

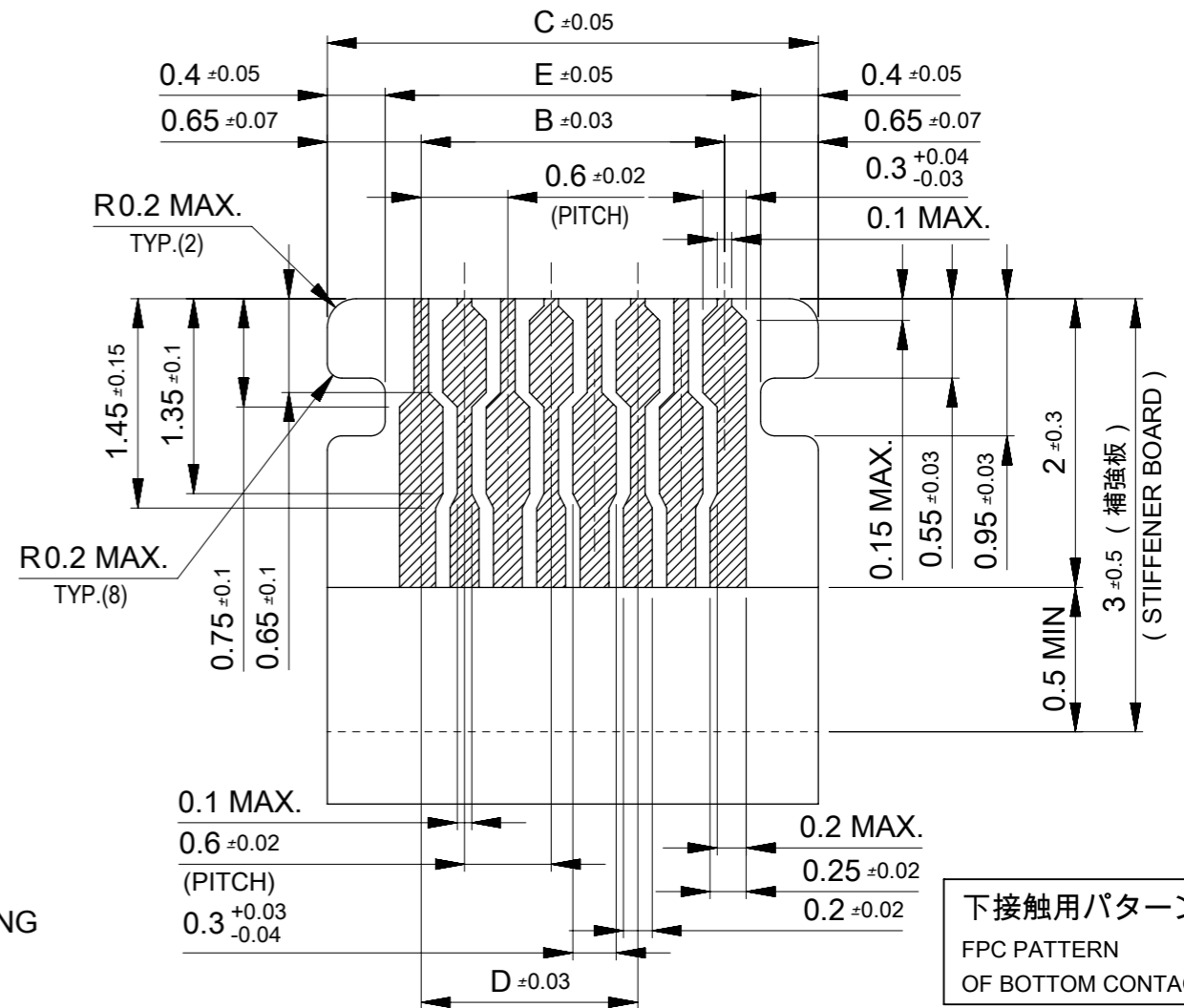
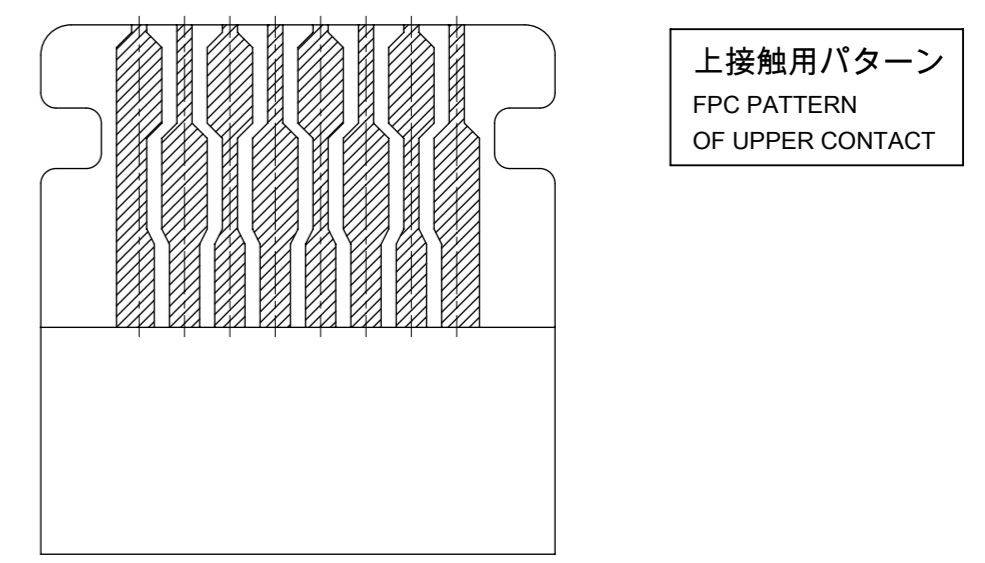
打抜き方向は導体側から補強板側を推奨致します。
RECOMMENDED PUNCHER DIRECTION:
FROM CONDUCTOR SIDE TO STIFFENER FILM SIDE.



FPC構成推奨仕様
STRUCTURE OF FPC

適合金メッキFPC推奨寸法
仕上がり厚さ : 0.2±0.03
APPLICABLE FPC WITH GOLD PLATING
RECOMMENDED DIMENSION
THICKNESS : 0.2±0.03

16極ASSY用 FOR 16 CKT ASSY



THIS DRAWING CONTAINS INFORMATION THAT IS PROPRIETARY TO MOLEX ELECTRONIC TECHNOLOGIES, LLC AND SHOULD NOT BE USED WITHOUT WRITTEN PERMISSION

REVISED	2017/02/17	GENERAL TOLERANCES (UNLESS SPECIFIED)	DIMENSION UNITS	SCALE				
	2017/02/20	ANGULAR TOL ± 1.0 °	MM	20:1				
EC NO: 113640 DRWN: YCHEN128 CHK'D: YKOBAYASHI02 REV APPR: TKUSUHARA01	2017/02/20	4 PLACES ± 0.03	DRWN BY	DATE	0.3 FPC LA75 SERIES ASSY			
		3 PLACES ± 0.03	AYOSHII01	2016/03/18				
		2 PLACES ± 0.05	CHK'D BY	DATE		YKOBAYASHI02 2016/03/31		
		1 PLACE ± 0.1	APPR BY	DATE	PRODUCT CUSTOMER DRAWING			
		0 PLACES ± 0.2	TKUSUHARA01	2016/03/31				
		DRAFT WHERE APPLICABLE MUST REMAIN WITHIN DIMENSIONS	DRAWING SIZE	THIRD ANGLE PROJECTION	SERIES	MATERIAL NUMBER	CUSTOMER	
			A3		504754	SEE SHEET 1		
					DOCUMENT NUMBER	DOC TYPE	DOC PART	SHEET NUMBER
					5047541000	PSD	000	3 OF 3