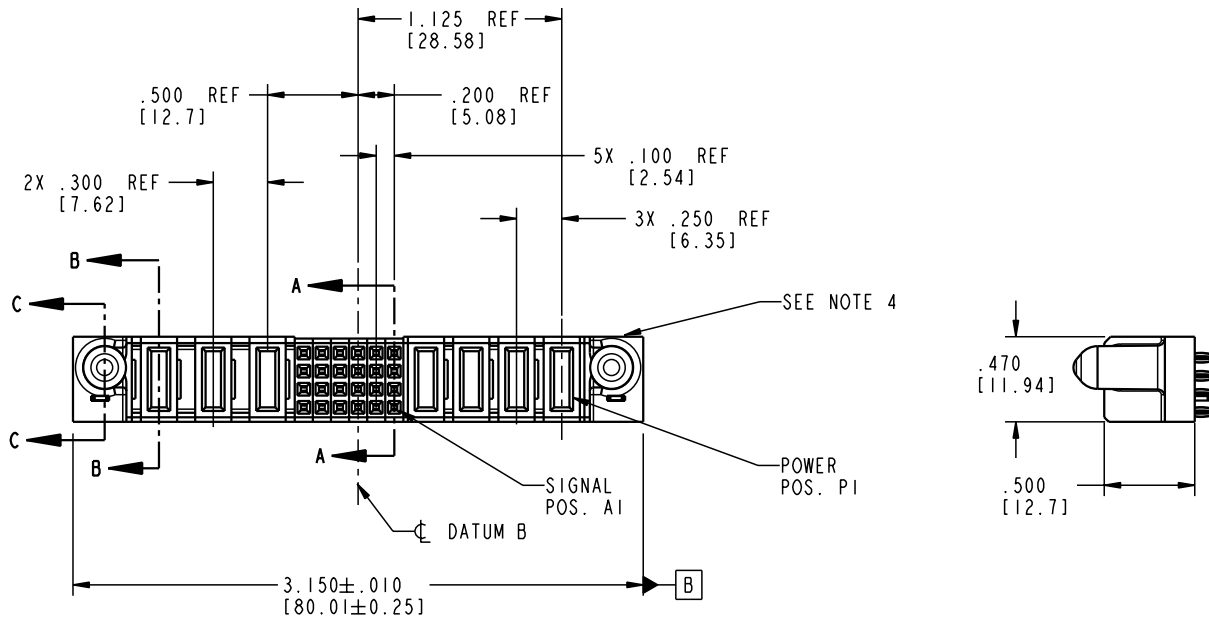


Tous droits strictement reserves. Reproduction ou communication a des tiers interdite sous quelque forme que ce soit sans autorisation écrite du propriétaire. Propriete de c FCI. Droits de reproduction FCI.



All rights strictly reserved. Reproduction or issue to third parties in any form whatever is not permitted without written authority from the proprietor. Property of FCI. Copyright FCI.

PRODUCT NO.	ROWS	POWER				SIGNAL						POWER				E1
		E2	P7	P6	P5	6	5	4	3	2	1	P4	P3	P2	P1	
51940-031	D C B A		PF	PF	PC	FFFFF	FFFFF	FFFFF	FFFFF	FFFFF	FFFFF	PF	PF	PF	PF	



CODE	DIM "M" MATING LENGTH	CONTACT TYPE
HA	N/A [N/A]	HOLD-DOWN
PF	.092 [2.34]	POWER
F	N/A [N/A]	SIGNAL
PC	.042 [1.07]	POWER

mat'l code				SEE NOTE 2	tolerances unless otherwise specified		CUSTOMER		
lfr	ecn no.	dr	date	linear	.XX±.01/0.XX±0.3	projection	www.fciconnect.com		
A	V03-0106	MEM	01/23/03	angles	.XXX±.005/0.XX±0.13		title	4P + 24S + 3ACP	
				dr	.XXX±.0020/0.XX±0.051	INCH/MM	product family	PwrBlade	code
				enr	0°±	scale	size	dwg no	213
				chr		1:1	A	51940-031	sheet
				appd					1 of 4
sheet index	revision	A	A	A	A				
	sheet	1	2	3	4				

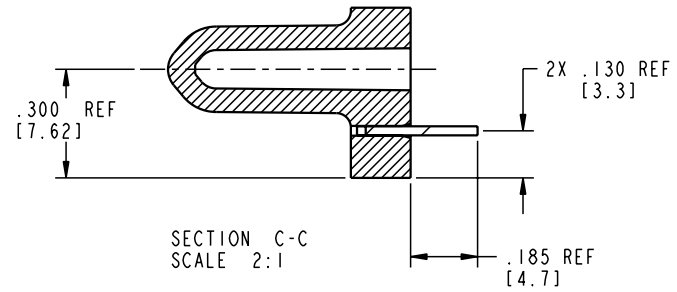
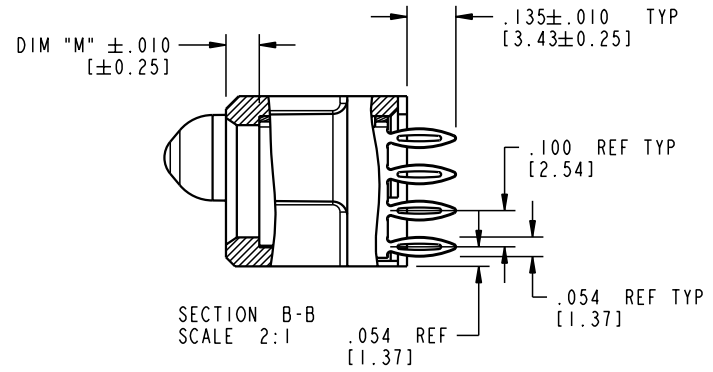
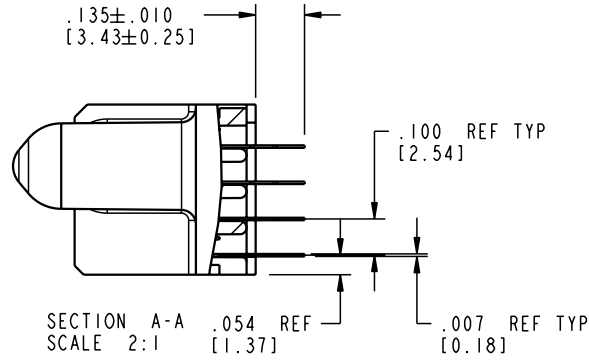
cage code 22526

Pro/E

Tous droits strictement reserves. Reproduction ou communication a des tiers interdite sous quelque forme que ce soit sans autorisation écrite du propriétaire. Propriete de c FCI. Droits de reproduction FCI.

All rights strictly reserved. Reproduction or issue to third parties in any form whatever is not permitted without written authority from the proprietor. Property of FCI. Copyright FCI.

PRODUCT NUMBER  
51940-031



mat'l code		SEE NOTE 2		tolerances unless otherwise specified		CUSTOMER		 www.fciconnect.com	
ltr	ecn no.	dr	date	linear	.XX ± .01 / 0.XX ± 0.3	COPY		title	
A				projection	.XXX ± .005 / 0.XX ± 0.13			4P + 24S + 3ACP	
				angles	.XXX ± .0020 / 0.XXX ± 0.051			VERTICAL PRESS FIT RECEIPT	
				dr	M. MOSTOLLER 1/23/03	product family		PwrBlade	
				engr	M. MOSTOLLER 1/23/03	size		code	
				chr	H. BREWBAKER 1/23/03	dwg no		213	
				appd	M. MOSTOLLER 1/23/03	scale		sheet	
						1:1		2 of 4	
sheet index		revision sheet							

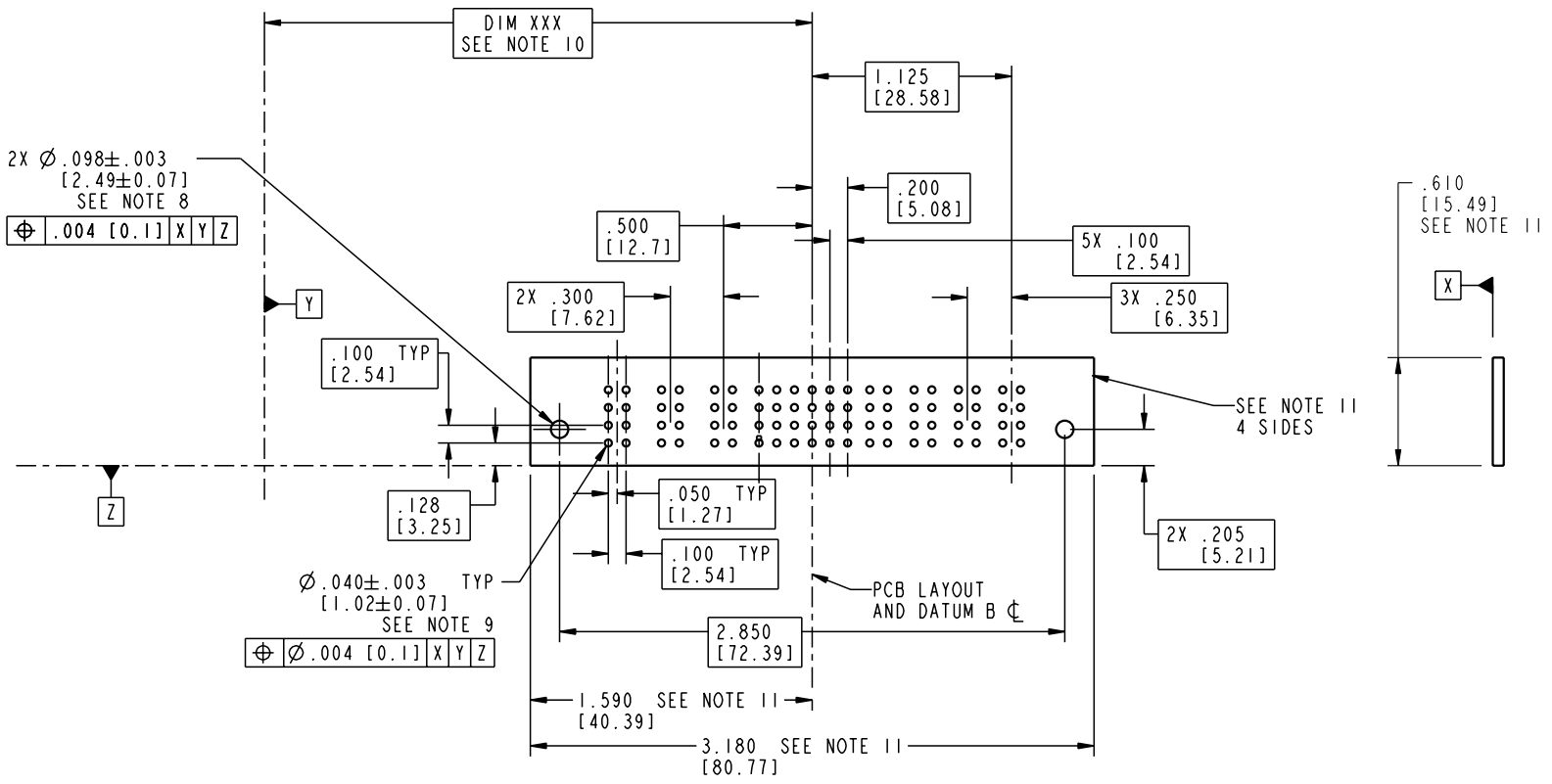
code code 22526

Pro/E

Tous droits strictement réservés. Reproduction ou communication a des tiers interdite sous quelque forme que ce soit sans autorisation écrite du propriétaire. Propriété de c FCI. Droits de reproduction FCI.

All rights strictly reserved. Reproduction or issue to third parties in any form whatever is not permitted without written authority from the proprietor. Property of FCI. Copyright FCI.

PRODUCT NUMBER  
51940-031



mat'l code		SEE NOTE 2		tolerances unless otherwise specified		CUSTOMER		 www.fciconnect.com	
ltr	ecr no.	dr	date	linear	.XX±.01/0.X±0.3	COPY		title	
A					.XXX±.005/0.XX±0.13	projection		4P + 24S + 3ACP	
				angles	.XXX±.0020/0.XXX±0.051			VERTICAL PRESS FIT RECEIPT	
				dr	M. MOSTOLLER 1/23/03	INCH/MM		product family	
				enr	M. MOSTOLLER 1/23/03	scale		PwrBlade	
				chr	H. BREWBAKER 1/23/03	1:1		code	
				appd	M. MOSTOLLER 1/23/03			213	
sheet index		revision sheet						size	
								dwg no	
								A 51940-031	
								sheet	
								3 of 4	

cage code 22526

Pro/E

PRODUCT NUMBER  
51940-031

NOTES:

1. DIMENSIONS AND TOLERANCES ARE IN ACCORDANCE WITH ASME Y14.5M, 1994 UNLESS OTHERWISE SPECIFIED.

CONNECTOR NOTES:

- 2 HOUSING MATERIAL: UL 94 V-0 GLASS FILLED  
HIGH-TEMP THERMOPLASTIC  
POWER CONTACT MATERIAL: COPPER ALLOY  
SIGNAL PIN MATERIAL: COPPER ALLOY
- 3. PLATING:  
SIGNAL PINS: 30u"/0.76um Au OVER 50u"/1.27um Ni  
POWER CONTACTS: 50u"/1.27um Ni UNDER ALL  
WITH 30u"/0.76um Au ON CONTACT AREA  
AND SnPb ON PCB INTERFACE
- 4 MANUFACTURER'S NAME, P/N, AND DATE CODE TO APPEAR ON THIS SURFACE.
- 5. PRODUCT SPECIFICATION GS-12-149.  
APPLICATION SPECIFICATION BUS-20-067.
- 6. PACKAGED IN TRAYS.
- PCB NOTES:
- 7. ALL HOLE DIAMETERS ARE FINISHED HOLE SIZE.
- 8 MOUNTING HOLES, WHERE APPLICABLE, ARE UNPLATED.
- 9  $\varnothing .0453 \pm .0010$  [1.151  $\pm$  0.025] DRILLED HOLES PLATED WITH  
.0003 [0.008] MIN SnPb OVER .001 [0.03]  
TO .003 [0.08] Cu PLATING TO ACHIEVE  
 $\varnothing .040 \pm .003$  [1.02  $\pm$  .07] HOLE.
- 10 "DIM XXX" TO BE DETERMINED BY THE CUSTOMER.
- 11 CONNECTOR KEEP-OUT ZONE.

Tous droits strictement reserves. Reproduction ou communication a des tiers interdite sous quelque forme que ce soit sans autorisation écrite du propriétaire. Propriete de c FCI. Droits de reproduction FCI.

A

A



All rights strictly reserved. Reproduction or issue to third parties in any form whatever is not permitted without written authority from the proprietor. Property of FCI. Copyright FCI.

B

B

mat'l code		SEE NOTE 2		tolerances unless otherwise specified		CUSTOMER		www.fciconnect.com	
lfr	ecn no.	dr	date	linear	.XX±.01/0.X±0.3	COPY			
A				angles	.XXX±.005/0.XX±0.13	projection		title	
					.XXX±.0020/0.XXX±0.051			4P + 24S + 3ACP	
				dr	0° ± °	INCH/MM		VERTICAL PRESS FIT RECEIPT	
				enr	M. MOSTOLLER 1/23/03	scale		product family	
				chr	M. MOSTOLLER 1/23/03	1:1		PwrBlade	
				appd	M. MOSTOLLER 1/23/03			code	
sheet index		revision sheet						size	
								dwg no	
								A 51940-031	
								sheet	
								4 of 4	