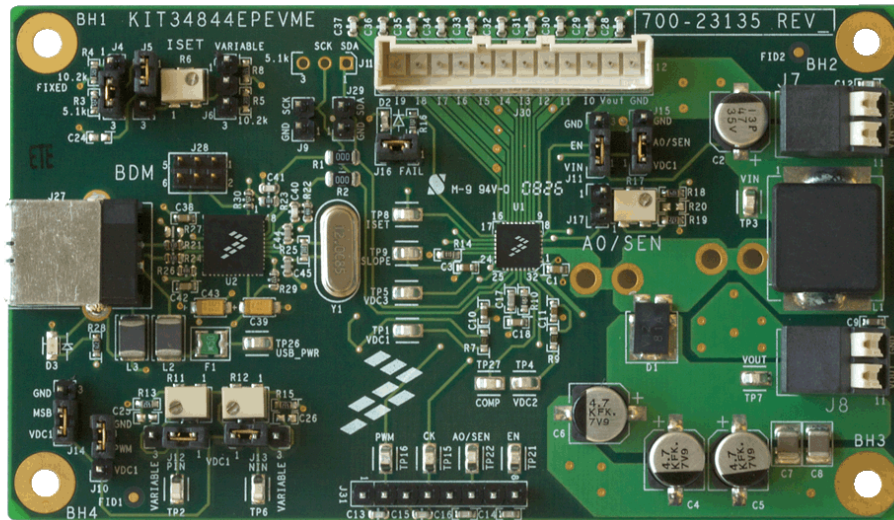


# KIT34844EPEVME Evaluation Board



**Figure 1. Evaluation Board (EVB)**

## Table of Contents

1 Kit Contents / Packing List .....	2
2 Important Notice .....	3
3 EVB Introduction .....	4
4 Required Equipment .....	6
5 EVB Setup Configuration Diagram .....	7
6 Using Demo Board .....	8
7 KIT34844 Installer Instructions .....	11
8 Using Graphical User Interface (GUI) .....	15
9 LED Load Board Configuration (10 Channels x 16 LEDs) .....	24
10 EVB Schematic (1) - MC34844 Section .....	25
11 EVB Schematic (2) - MC34844 Section .....	26
12 EVB Schematic (3) - MC34844 Section .....	27
13 EVB Schematic (4) - USB to I <sup>2</sup> C Section .....	28
14 EVB Schematic (5) - USB to I <sup>2</sup> C Section .....	29
15 Board Layout .....	30
16 EVB Board BOM .....	38
17 References .....	41
18 Revision History .....	42

# 1 Kit Contents / Packing List

- EVB - KIT34844EPEVME
- USB Cable Type A - B
- Cable for LED board connection
- CD

## 2 Important Notice

Freescale provides the enclosed product(s) under the following conditions:

This evaluation kit is intended for use of ENGINEERING DEVELOPMENT OR EVALUATION PURPOSES ONLY. It is provided as a sample IC pre-soldered to a printed circuit board to make it easier to access inputs, outputs, and supply terminals. This EVB may be used with any development system or other source of I/O signals by simply connecting it to the host MCU or computer board via off-the-shelf cables. This EVB is not a Reference Design and is not intended to represent a final design recommendation for any particular application. Final device in an application will be heavily dependent on proper printed circuit board layout and heat sinking design as well as attention to supply filtering, transient suppression, and I/O signal quality.

The goods provided may not be complete in terms of required design, marketing, and or manufacturing related protective considerations, including product safety measures typically found in the end product incorporating the goods. Due to the open construction of the product, it is the user's responsibility to take any and all appropriate precautions with regard to electrostatic discharge. In order to minimize risks associated with the customers applications, adequate design and operating safeguards must be provided by the customer to minimize inherent or procedural hazards. For any safety concerns, contact Freescale sales and technical support services.

Should this evaluation kit not meet the specifications indicated in the kit, it may be returned within 30 days from the date of delivery and will be replaced by a new kit.

Freescale reserves the right to make changes without further notice to any products herein. Freescale makes no warranty, representation or guarantee regarding the suitability of its products for any particular purpose, nor does Freescale assume any liability arising out of the application or use of any product or circuit, and specifically disclaims any and all liability, including without limitation consequential or incidental damages. "Typical" parameters can and do vary in different applications and actual performance may vary over time. All operating parameters, including "Typical", must be validated for each customer application by customer's technical experts.

Freescale does not convey any license under its patent rights nor the rights of others. Freescale products are not designed, intended, or authorized for use as components in systems intended for surgical implant into the body, or other applications intended to support or sustain life, or for any other application in which the failure of the Freescale product could create a situation where personal injury or death may occur.

Should Buyer purchase or use Freescale products for any such unintended or unauthorized application, Buyer shall indemnify and hold Freescale and its officers, employees, subsidiaries, affiliates, and distributors harmless against all claims, costs, damages, and expenses, and reasonable attorney fees arising out of, directly or indirectly, any claim of personal injury or death associated with such unintended or unauthorized use, even if such claim alleges that Freescale was negligent regarding the design or manufacture of the part. Freescale™ and the Freescale logo are trademarks of Freescale Semiconductor, Inc. All other product or service names are the property of their respective owners. © Freescale Semiconductor, Inc. 2008

## 3 EVB Introduction

This EVB shows the functionality of MC34844 set it up under specific operation parameters.

MC34844 which is a high efficiency, LED driver for use in backlighting LCD displays from 10" to 20"+ can operate in this demo board from a supply of 24V, the device is capable of driving up to 160 LEDs in 10 parallel strings. The current through these 10 channels is matched to within  $\pm 2\%$  and can be programmed via the I<sup>2</sup>C/SM-bus interface.

For evaluation purposes this Demo Board includes a USB to I<sup>2</sup>C bridge that allows control of the EVB via USB communication through a PC. All these control functions are gathered in a friendly GUI (Graphical Unit Interface) also provided along with the Demo Board.

This EVB allows the user to test this device on its three operational modes: Master Mode, Slave Mode and Stand Alone Mode by facilitating access to all pins and providing different possible component configuration.

### 3.1 EVB operation parameters.

Input Voltage (V<sub>in</sub>) = 24 V +/- 10%

Expected Output Voltage (V<sub>out</sub>) = around 47V

LED Load = 16 Leds x 10 Channels

Duty Cycle = All range.

Peak Current on all channels = all range up to 50mA

OVP = 55V (For 16Leds)

Boost Frequency = 600KHz

Master Mode PWM Frequency = From 100Hz to 25KHz

Slave Mode PWM Frequency = From 1KHz to 25KHz

(In Slave Mode some considerations should be taken into account from 100Hz to 1KHz, please refer to the "Functional Device Operation" Section from the Data Sheet.)

Since the demo board goes into 'Default Configuration' every time it is powered up, the OVP level should be changed to 55V using the Graphical unit interface. This way the device's performance can be optimized.

### 3.2 EVB Features

- Bridge that Allows control of the EVB
- USB communication through a PC
- Four Layer Board
- Low Noise Design
- Top Layer Placement
- USB to I<sup>2</sup>C Interface Added
- Terminal Block and Connector for the 10 LED channels
- Terminal Blocks for Input Voltage, Output Voltage, and Control Signals (EN, A0SEN, CK, PWM)
- Jumper Configuration and resistors arrays for signals Adjusting.
- Test Holes for SW Current Measurements

### 3.3 MC34844 Features

- Input voltage of 7V to 28V
- Output Voltage up to 60V, with auto Vout selection
- 3.0A integrated boost
- Up to 50mA LED current per channel
- 90% efficiency (DC:DC)
- 10-channel current mirror with  $\pm 2\%$  current matching
- I<sup>2</sup>C/SM-bus interface
- 8-bit programmable current DAC
- PWM frequency programmable or synchronizable from 100 Hz to 25 KHz
- User programmable OVP
- LED failure detection and OTP/OCP/UVLO lockout
- 32-Ld 5x5x0.8mm TQFN Pb-Free packaging

### 3.4 MCU (MC9S08JM60) Features - USB & I<sup>2</sup>C

For this EVB it is important to highlight the following MCU features:

- USB - USB2.0 full-speed (12Mbps) device controller with dedicated on-chip USB transceiver, 3.3-V regulator and USBDP pull-up resistor; supports control, interrupt, asynchronous, and bulk transfers; supports endpoint 0 and up to 6 additional endpoints; endpoints 5 and 6 can be combined to provide double buffering capability.
- I<sup>2</sup>C - Inter-integrated circuit BUS module to operate at up to 100kbps with maximum BUS loading; multi-master operation; programmable slave address; interrupt-driven byte-by-byte data transfer; 10-bit addressing and broadcast modes support.

Since the loading on the BUS is not significant for this application, it is then possible reach up to 400kbps.

For more information about this MCU please refer to :

[http://www.freescale.com/files/microcontrollers/doc/data\\_sheet/MC9S08JM60.pdf](http://www.freescale.com/files/microcontrollers/doc/data_sheet/MC9S08JM60.pdf)

### 3.5 GUI Description/Features

This GUI allows the user to control and program all Registers related to the following Functions:

- Chip Enable
- OVP Voltage
- PWM (Frequency, Duty Cycle)
- Channel Enable
- Boost Frequency
- Clear FAIL
- Strobe Mode
- Channel Current Program

## 4 Required Equipment

### 4.1 System Requirements

These requirements apply if the graphical unit interface will be used for controlling the I<sup>2</sup>C communication.

- HARDWARE
  - 400MHz Pentium® II processor or AMD-K6® class processor,
  - 128MB of RAM
  - CD-ROM drive
  - USB Port
- SOFTWARE - Microsoft .NET Framework Version 2.0 (x86)
- OPERATING SYSTEM - Microsoft® Windows® 98 SE/2000/XP (Service Pack 2)
- DISK SPACE Full: 500 MB

If I<sup>2</sup>C communication is provided from a different source, this communication should comply with I<sup>2</sup>C standards at 100/400 kbps. (Device Address = 76h)

### 4.2 Hardware Requirements

- Power Supply (up to 30V @ 3A)
- LED Board
- USB Cable Type A-B or 3 Wire Cable for I<sup>2</sup>C Communication
- 12 Wires cable for LED board connection

## 5 EVB Setup Configuration Diagram

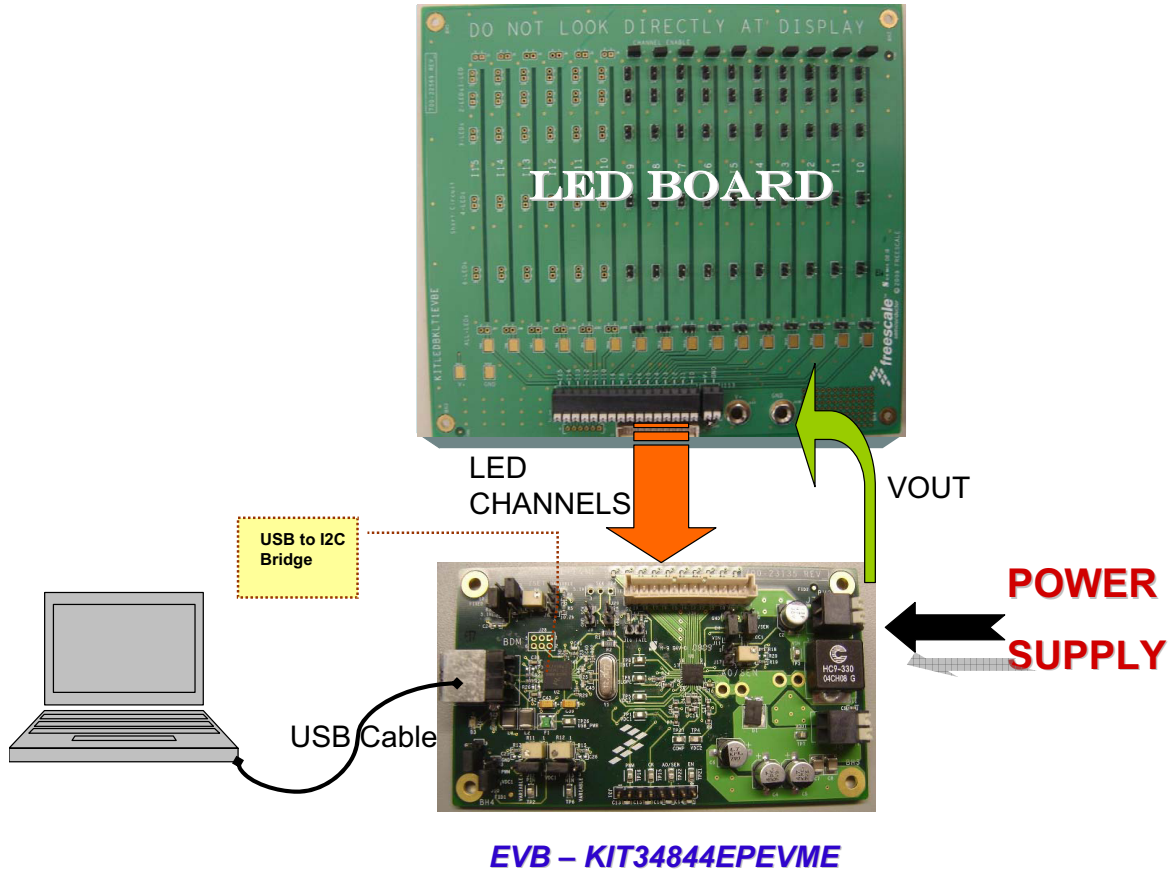


Figure 1. EVB Setup Configuration Diagram

## 6 Using Demo Board

### 6.1 Demo Board Jumper Connections

JUMPER CONNECTION	FUNCTION	DESCRIPTION
J4(1-2) + J5(1-2)	10.2kΩ for PIN+NIN	These two Jumpers will set the ISET resistor at 10.2kΩ allowing a maximum current through all channels up to 50mA when PIN and NIN modes are enabled at the same time. If PIN and NIN modes are disabled the maximum current will be 25mA.
J4(2-3) + J5(1-2)	5.1kΩ for PIN or NIN	This configuration is ideal for getting maximum current through all channels (50mA) when PIN and NIN modes are disabled.
J5(2-3) + J6(1-2)	ISET variable resistor for PIN or NIN	In this configuration, one can vary the value of ISET resistor to control the maximum current through all channels. To avoid damaging this part, Do not use this configuration if PIN + NIN mode is active.
J5(1-2) + J6(2-3)	ISET variable resistor for PIN+NIN	In this configuration, one can vary the value of ISET resistor to control the maximum current through all channels. This mode is intended to be used even when PIN + NIN mode is active because it will limit the current at 50mA.
J12(1-2)	PIN pin to VDC1	PIN mode Disable.
J13(1-2)	NIN pin to VDC1	NIN mode Disable.
J12(2-3)	PIN pin to Variable Resistor	Simulates PIN mode by varying the voltage across this pin from 0 to VDC1.
J13(2-3)	NIN pin to Variable Resistor	Simulates NIN mode by varying the voltage across this pin from 0 to VDC1.
J17	OVP - HW Controlled	This jumper connects A0SEN pin to a resistor divider which sets the OVP value respect to the internal threshold of 6.5V. This Resistor divider is connected from Vout to GND. Please refer to Schematic to set the correct resistance value based on your needs. For HW OVP the jumper on J15 must be disconnected.
J9, J29	I <sup>2</sup> C clock and data to GND	I <sup>2</sup> C mode disabled. ( Do not connect USB cable if one of these two jumpers are connected)
J10(1-2)	PWM pin to VDC1	Sets PWM pin to HIGH level.
J10(2-3)	PWM pin to GND	Sets PWM pin to LOW level
J11(1-2)	Chip Enable	CHIP Enabled by Hardware. It takes EN pin to HIGH
J11(2-3)	Chip Disable	CHIP Disabled by Hardware. It takes EN pin to LOW
J14(1-2)	Master Mode	M/~S pin tied to HIGH for Master Mode
J14(2-3)	Slave Mode	M/~S pin tied to LOW for Salve Mode
J15(1-2)	A0SEN to VDC1	This Jumper allows the IC to receive I <sup>2</sup> C data. (J17 must be disconnected)
J15(2-3)	A0SEN to GND	This Jumper configures the IC to reject I <sup>2</sup> C data.(J17 must be disconnected)
J16	Fail pin LED	Connect LED for Fail condition indicator. (LED ON = Fail Condition, LED OFF = OK)

Note: Jumpers J15 & J17 can not be connected at the same time.



## Operation Mode based on jumper connections

- **Yellow:** MASTER MODE (Default Configuration) -These jumpers should be connected in order to start up the part in Master Mode.  
PIN and NIN functions are disabled.
- **Blue:** SLAVE MODE - To start up the part in Slave Mode, all jumpers should be connected for a master mode operation, expect J14 that should be connected in J14(2-3) position.  
In Slave Mode an external clock should be provided to CK pin of the Terminal Block (J31).
- **Green:** MANUAL MODE - Configure the part as in Master mode, but remove jumper on J15 and connect jumper J17.  
(Remember to set a correct OVP value before turning on the part)  
Do not forget set a 10.2K resistor on ISET pin if PIN and NIN modes are used at the same time.
- **Red:** If an external I<sup>2</sup>C communication is desired for an specific application, clock and data should be connected to the jumper highlighted in red.  
For this external I<sup>2</sup>C “communicataion”, USB cable must be disconnected to avoid damage the MCU.

Jumper description is shown above in *Demo Board Jumper Connections*.

Under these configurations the PWM pin is set LOW in order to allow programming the part before turning all LED channels ON.

If PIN and NIN Mode are enabled at the same time, J4(1-2) and J5(1-2) must be connected to avoid damaged the part.

## 6.2 Start up sequence for MASTER MODE (Default)

1. Make sure jumper connections are as specified above for Master Mode and the LED load board is correctly connected to the EVB.
2. Set the power supply (24V@3A).
3. Turn power supply off and connect it to the Demo board
4. Connect USB cable. (Diode “D3” should be ON)  
(Refer to Section 10 - [KIT34844 Installer Instructions](#))
5. Turn power supply on. (Diode “D2” should be OFF)
6. Program the part and make sure to set OVP = 55V. (please refer to the GUI section - [Home Page](#))  
DO NOT change the Boost Frequency, remember that all external components are calculated for 600KHz.
7. Take PWM pin HIGH [J10 (1-2)].
8. All LEDs should be ON.

## 6.3 Start up sequence for SLAVE MODE

1. Make sure jumper connections are as specified above for Slave Mode and the LED load board is correctly connected to the EVB.
2. Set the power supply (24V@3A).
3. Turn power supply off and connect it to the Demo board
4. Set an external Master Clock and connect it to CK pin through the connector J31.
5. Connect USB cable. (Diode "D3" should be ON)  
(Refer to Section 10 - [KIT34844 Installer Instructions](#))
6. Turn power supply on. (Diode "D2" should be OFF)
7. Program the part and make sure to set OVP = 55V. (please refer to the GUI section - [Home Page](#))  
DO NOT change the Boost Frequency, remember that all external components are calculated for 600KHz.
8. Take PWM pin HIGH [J10 (1-2)].
9. All LEDs should be ON.

## 6.4 Start up sequence for MANUAL MODE

1. Make sure jumper connections are as specified above for Manual Mode and the LED load board is correctly connected to the EVB. (Jumpers J15 and J17 can not be connected at the same time)
2. Set the power supply (24V@3A).
3. Turn power supply off and connect it to the Demo board.
4. Turn power supply on. (Diode "D2" should be OFF).
5. Verify that the voltage on A0/SEN pin (TP22) to 2.8V, if not please set it by adjusting trimpot R17. ( It only applies to set OVP = 55V when Vin = 24V)
6. If PIN and NIN modes want to be used at the same time please continue with step #7 and #8, if not skip them.
7. Move jumper J4 to position 1-2, and jumpers J12 and J13 to position 2-3.
8. Verify that the voltage on PIN pin (TP2) is around 2V and NIN pin (TP6) is around 0.1V , if not please set them by adjusting trimpots R11 and R12.
9. Take PWM pin HIGH [J10 (1-2)].
10. All LEDs should be ON.

I<sup>2</sup>C communication can be used in this mode, if so please make sure to set an OVP = 55V. (please refer to the GUI section - [Home Page](#))

DO NOT change the Boost Frequency, remember that all external components are calculated for 600KHz.

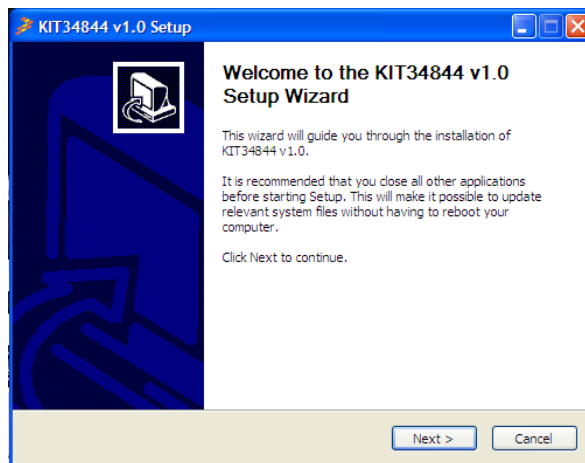
## 7 KIT34844 Installer Instructions

This EVB is preloaded with a firmware that allows USB communication with the PC and allows the user to write devices using I<sup>2</sup>C signals

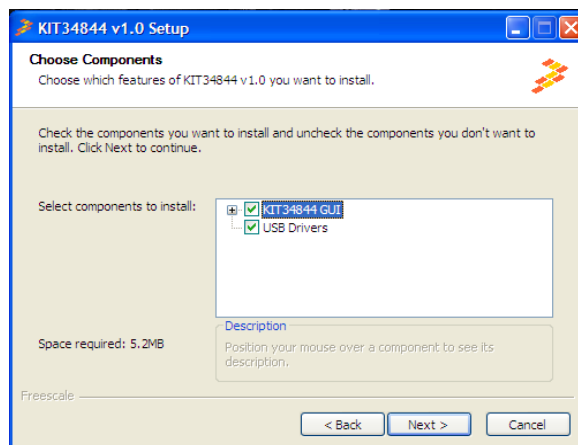
A graphical Unit interface (GUI) is provided by Freescale in order to achieve communication with the KIT34844 board. This GUI allows the user to control all the functions of the board.

### INSTALLER INTRUCTIONS:

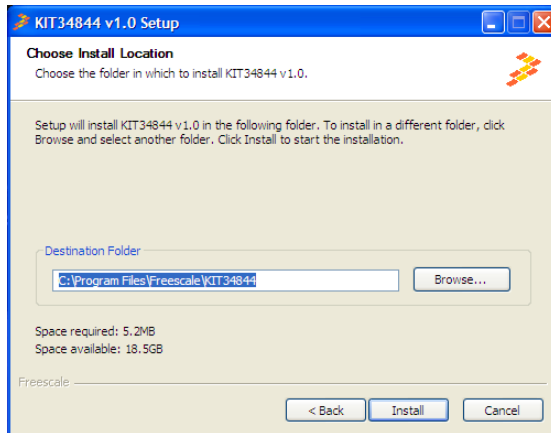
1. On the CD provided, open folder named KIT34844 Setup
2. Execute "KIT34844\_Setup.exe" and Click Next.



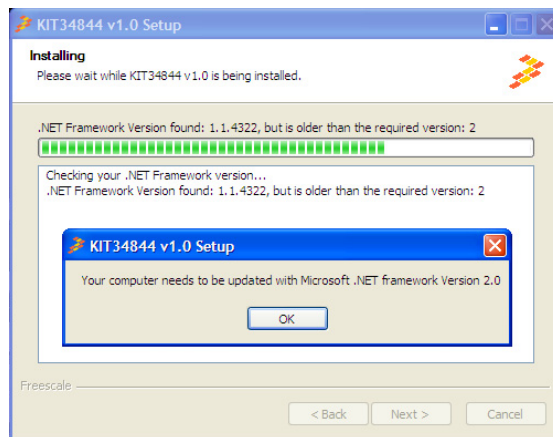
3. Please make sure that KIT34844EPEVME is NOT connected.
4. Read Freescale "License Agreement" and press "I Agree".
5. Select components to install.



6. Choose Install Location. It is recommended to choose the default destination folder “C:\Program Files\Freescale\KIT34844”.

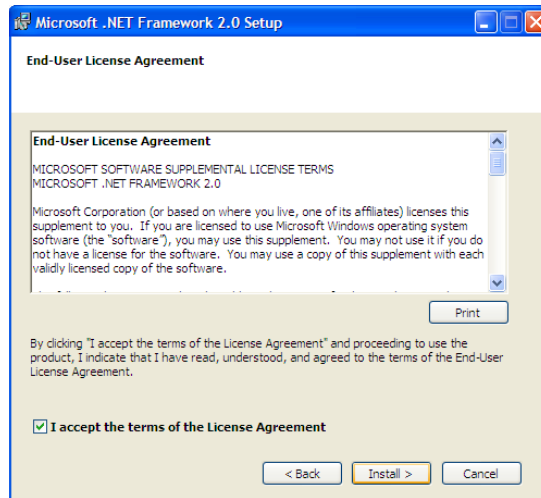


7. If Microsoft .NET Framework 2.0 is already installed, skip instructions 8 and 9
8. A pop up window will appear to install “Microsoft .NET Framework 2.0”. Click “OK” to install it.



9. Microsoft .NET Framework 2.0 Setup will start, click NEXT button.

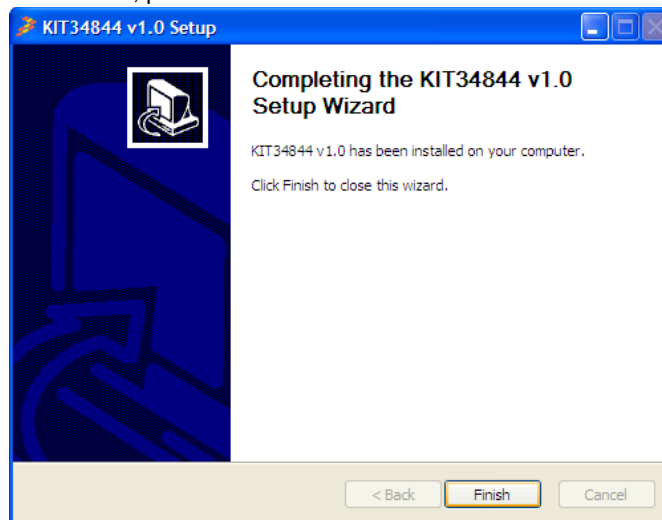
10. Please read Microsoft License Agreement and check the box if you do accept the terms.



11. Click "Install" .

12. Once Framework installation is done, press "FINISH".

13. GUI installation will continue, please click "FINISH".



14. You can now connect the KIT34844 board to your computer. Click "OK"

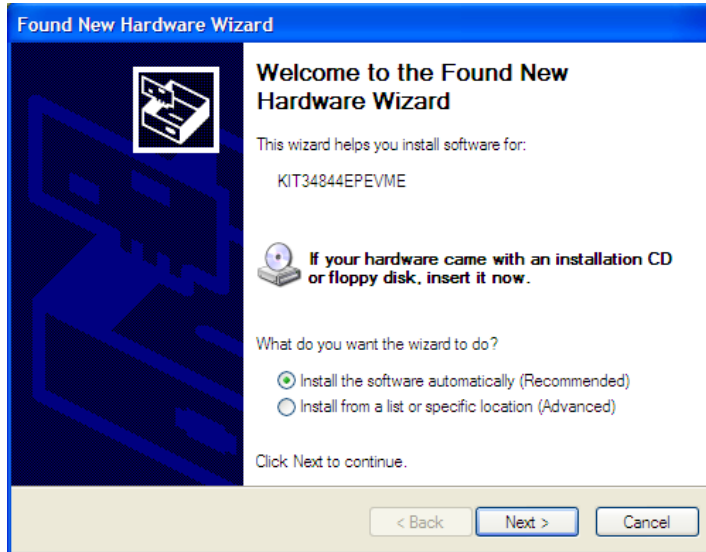
15. Now the GUI is successfully installed in Programs Files and also a shortcut is created on your Desktop.



Installing EVB Driver

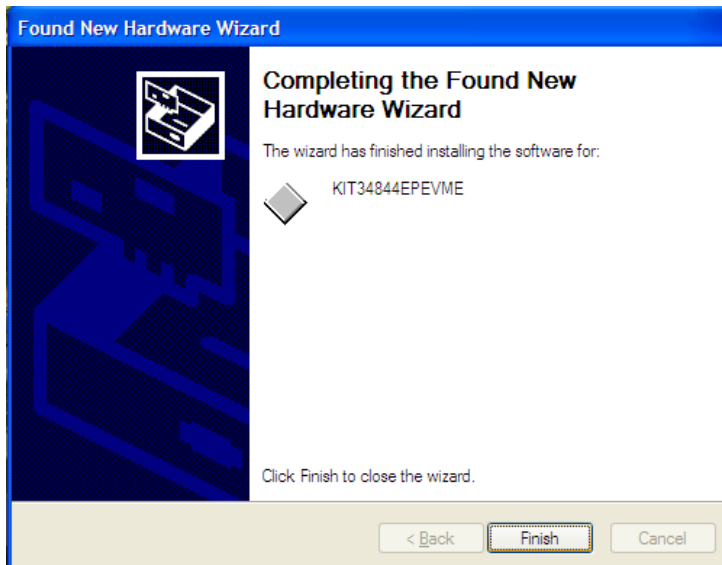
16. Connect EVB to the PC with an USB cable Type A-B.

17. When the “Found new hardware wizard”appears, select “Install the software automatically (Recommended)”



18. Click NEXT.

19. Wait for the installation to finish and click 'Finish'



20. Now you can LAUNCH the GUI.

Note: In order to use the GUI, the EVB must be Powered Up.

## 8 Using Graphical User Interface (GUI)

This Section describes an easy and detailed way of using the GUI. Write Register Table, Register Description and OVP table will be shown and explained.

Note: In order to use the GUI, the EVB must be Powered Up.

### 8.1 GUI Sections

#### 8.1.1 Setting up I<sup>2</sup>C communication

In this Window you can set :

- The Baudrate of I<sup>2</sup>C communication: 100kbps or 400kbps
- The current set on ISET ([Eqn. 2](#)).

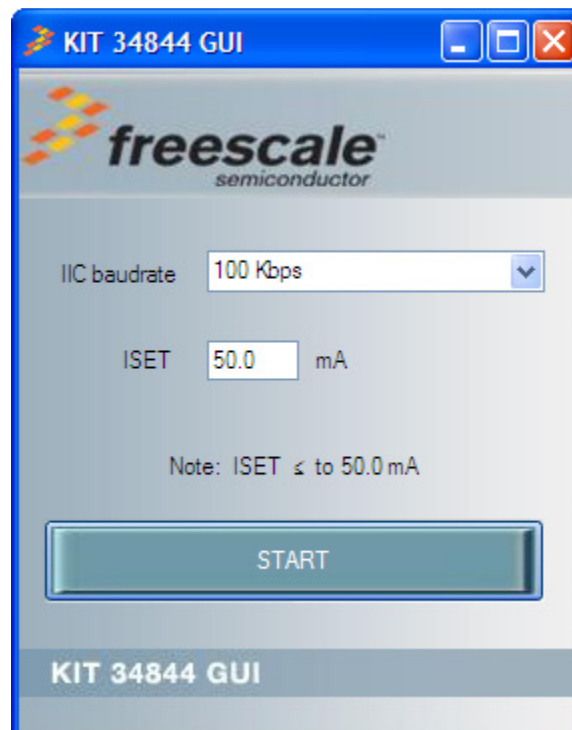


Figure 2. I<sup>2</sup>C set up Window

## 8.1.2 Home Page

This Window is splitted in two main sections:

### a) SELECTORS

It allows the user to set up the following functions:

- Enable or Disable the following modes:
  - I<sup>2</sup>C
  - PIN
  - NIN
  - STROBE
- Select from a Drop list:
  - OVP Value. **For this EVB please set it at 55V.**
  - Boost Frequency (Components on EVB are calculated for 600KHz).

Do not change Boost Frequency. All compensation network is calculated for 600KHz of boost frequency.

- Set from a Sliding Bar:
  - PWM Frequency
  - PWM Duty Cycle
  - Maximum Current on all channels

### b) REAL TIME:

This Section allows the user to change in real time :

- Enable Status
- Turn ON/OFF all channels
- Clear FAIL Status

Also the user can call the following functions:

- Current Control
- Register Table
- Default Configuration (IC Default Values)
- Tests



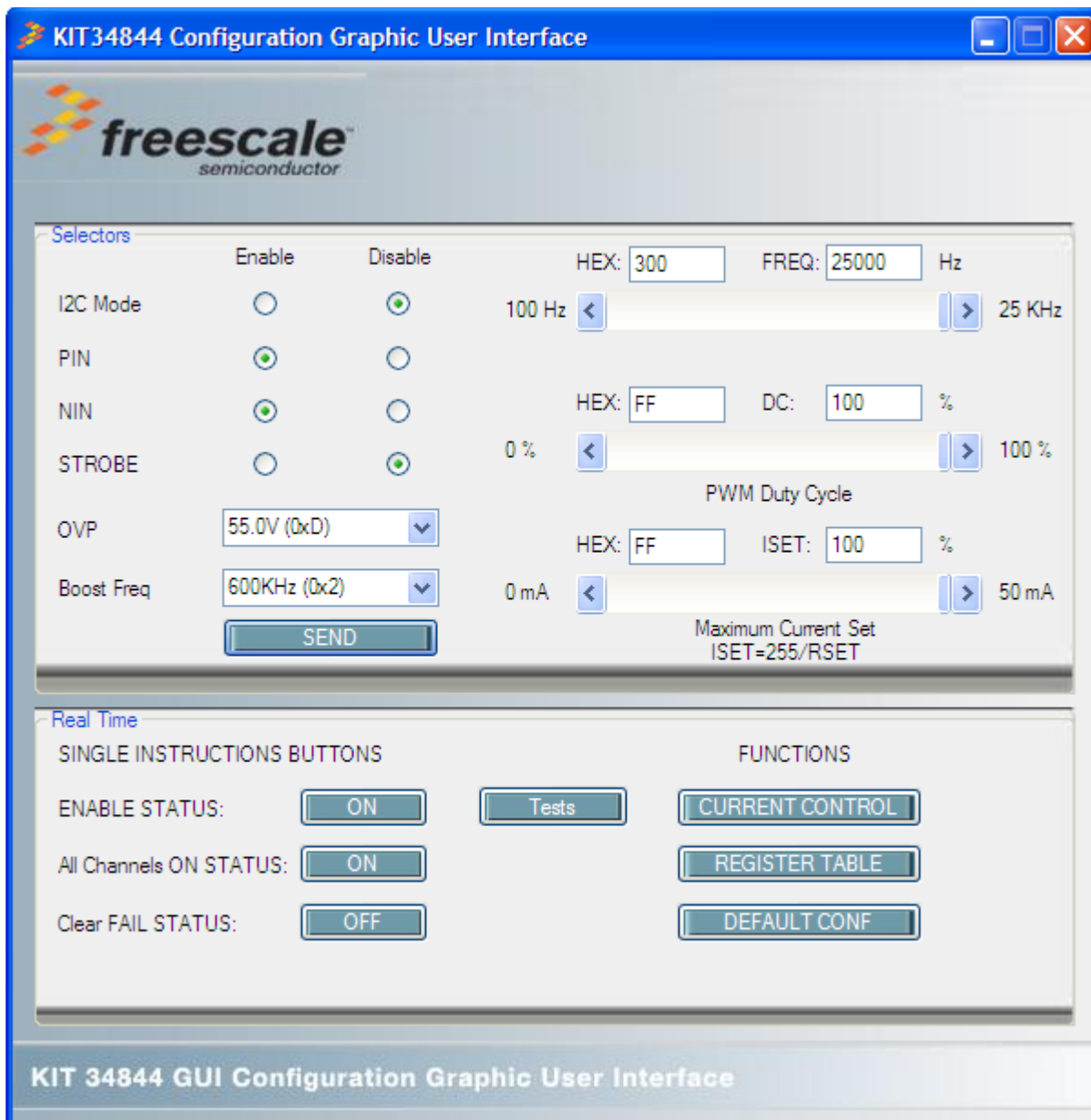


Figure 3. GUI - Home Page

### 8.1.3 Current Control Window

This window allows the user to control the following Registers automatically. It provides an easy and quick way of programming all the registers:

- All\_OFF bit
- CHEN[9:0]
- ICH#
- ICHG

The global current control should be first set and then send the information by pressing SEND button.

Independent current control should also be first set and then send by pressing SEND button. It can also be sent automatically with a default update time at 1 second by pressing the OFF button at the bottom. This update time could be changed as needed.



Figure 4. GUI - Current Control Window

### 8.1.4 Register Table Window

In this window the user can change the logic value of each bit independently. This can be done either by pressing the bit or changing all Registers at the right side of the desired HEX value.

- Light Blue means the bit is a logic zero.
- Dark Blue means the bit is a logic one.

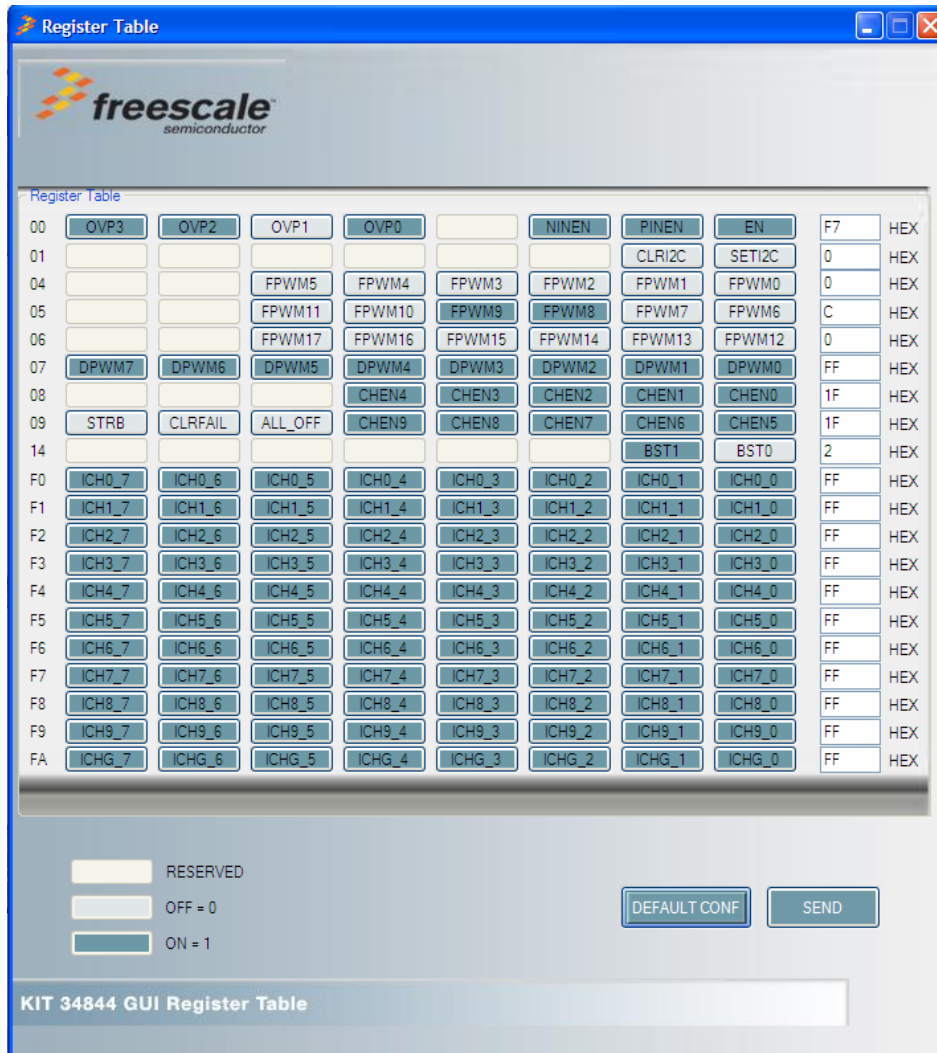


Figure 5. Register Table Window

### 8.1.5 TEST Window

This window allows the User to program the following Sequences:

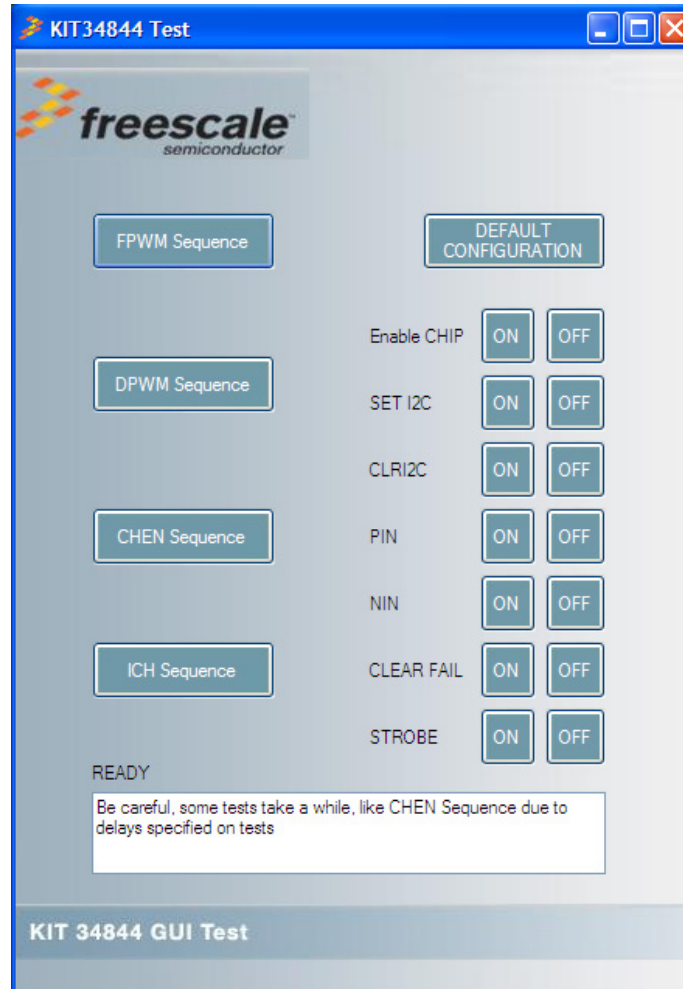


Figure 6. Test Window

- FPWM: Increments Frequency over the whole PWM Range in all channels (100 to 25000 Hz)
- DPWM: Performs a sweep of the Duty Cycle on all the channels from 0 to 100%
- CHEN Sequence: Turns on one channel at the time.
- ICH Sequence: Turn on one channel at the time and increases the LED current gradually in the channel being turn on.
- STROBE: This Button activates Strobe Mode.

## 8.2 Write Registers

Following table shows all write registers. Registers in grey are reserved.

Register values are in Hexadecimal. [ I<sup>2</sup>C Device Address = 76h (1110110b)]

REG / DB	D7	D6	D5	D4	D3	D2	D1	D0
00	OVP3	OVP2	OVP1	OVP0		NINEN	PINEN	EN
01							CLR12C	SET12C
04			FPWM5	FPWM4	FPWM3	FPWM2	FPWM1	FPWM0
05			FPWM11	FPWM10	FPWM9	FPWM8	FPWM7	FPWM6
06			FPWM17	FPWM16	FPWM15	FPWM14	FPWM13	FPWM12
07	DPWM7	DPWM6	DPWM5	DPWM4	DPWM3	DPWM2	DPWM1	DPWM0
08				CHEN4	CHEN3	CHEN2	CHEN1	CHEN0
09	STRB	CLRFAIL	ALL_OFF	CHEN9	CHEN8	CHEN7	CHEN6	CHEN5
14							BST1	BST0
F0	ICH0_7	ICH0_6	ICH0_5	ICH0_4	ICH0_3	ICH0_2	ICH0_1	ICH0_0
F1	ICH1_7	ICH1_6	ICH1_5	ICH1_4	ICH1_3	ICH1_2	ICH1_1	ICH1_0
F2	ICH2_7	ICH2_6	ICH2_5	ICH2_4	ICH2_3	ICH2_2	ICH2_1	ICH2_0
F3	ICH3_7	ICH3_6	ICH3_5	ICH3_4	ICHG_3	ICH3_2	ICH3_1	ICH3_0
F4	ICH4_7	ICH4_6	ICH4_5	ICH4_4	ICH4_3	ICH4_2	ICH4_1	ICH4_0
F5	ICH5_7	ICH5_6	ICH5_5	ICH5_4	ICH5_3	ICH5_2	ICH5_1	ICH5_0
F6	ICH6_7	ICH6_6	ICH6_5	ICH6_4	ICH6_3	ICH6_2	ICH6_1	ICH6_0
F7	ICH7_7	ICH7_6	ICH7_5	ICH7_4	ICH7_3	ICH7_2	ICH7_1	ICH7_0
F8	ICH8_7	ICH8_6	ICH8_5	ICH8_4	ICH8_3	ICH8_2	ICH8_1	ICH8_0
F9	ICH9_7	ICH9_6	ICH9_5	ICH9_4	ICH9_3	ICH9_2	ICH9_1	ICH9_0
FA	ICHG_7	ICHG_6	ICHG_5	ICHG_4	ICHG_3	ICHG_2	ICHG_1	ICHG_0

## 8.3 Register Description

REGISTER NAME	DEFAULT VALUE (HEX)	DESCRIPTION
EN	1	Chip Enable by software. This signal is 'OR'ed with external EN (0=off, 1 =on)
PINEN	1	PIN pin enable (0=off, 1 =on) ( <a href="#">Equation 3</a> & <a href="#">Equation 5</a> )
NINEN	1	NIN pin enable (0=off, 1 =on) ( <a href="#">Equation 4</a> & <a href="#">Equation 5</a> )
OVP[3:0]	F	OVP voltage
SETI2C	0	SET I <sup>2</sup> C communication (Disable SM-Bus Mode)
CLR I2C	0	Clear set I <sup>2</sup> C
FPWM[17:0]	300	PWM Frequency ( <a href="#">Equation 1</a> )
DPWM[7:0]	FF	PWM Duty Cycle (FFh =100%)
CHEN[9:0]	3FF	Channel Enable (0=off, 1=on)
ALL_OFF	0	All 10 channels OFF at the same. In order to reactivate channels this bit should be clear.
CLRFAIL	0	Clear fail if channels are re-enable.
STRB	0	Strobe MODE (0=Parallel, 1=Strobe)
BST[1:0]	2	Boost Frequency (150,300,600,1200 kHz) [0h=150Hz]
ICH#[7:0]	FF	Channel Current Program (FFh = Maximum Current)
ICHG[7:0]	FF	Global Current Program ( <a href="#">Equation 2</a> )

## 8.4 OVP Table

REGISTER (HEX)	OVP VALUE (VOLTS)
2	11
3	15
4	19
5	23
6	27
7	31
8	35
9	39
A	43
B	47
C	51
D	55
E	59
F	62

## 8.5 Current and Frequency Equations

In the following equations all registers values should be in Decimal. Do not set a current higher than 50mA through LED Channels.

### PWM Frequency Eqn. 1

$$\text{PWMPFrequency[Hz]} = \frac{19.2\text{Mhz}}{\text{FPWM[RegisterValue]}}$$

### Current on LED Channel (PIN and NIN mode disable) Eqn. 2

$$\text{Current[A]} = \frac{\text{ICH[RegisterValue]}}{\text{RSET[ohms]}}$$

### Current on LED Channel (PIN mode) Eqn. 3

$$\text{Current[A]} = \frac{\text{VPIN[Volts]} \times \text{ICH[RegisterValue]}}{\text{RSET[ohms]}}$$

### Current on LED Channel (NIN mode) Eqn. 4

$$\text{Current[A]} = \frac{(2.048 - \text{VNIN})[\text{Volts}] \times \text{ICH[RegisterValue]}}{\text{RSET[ohms]}}$$

### Current on LED Channel (PIN+NIN mode) Eqn. 5

$$\text{Current[A]} = \frac{(2.048 - \text{VNIN} + \text{VPIN})[\text{Volts}] \times \text{ICH[RegisterValue]}}{\text{RSET[ohms]}}$$



## 9 LED Load Board Configuration (10 Channels x 16 LEDs)

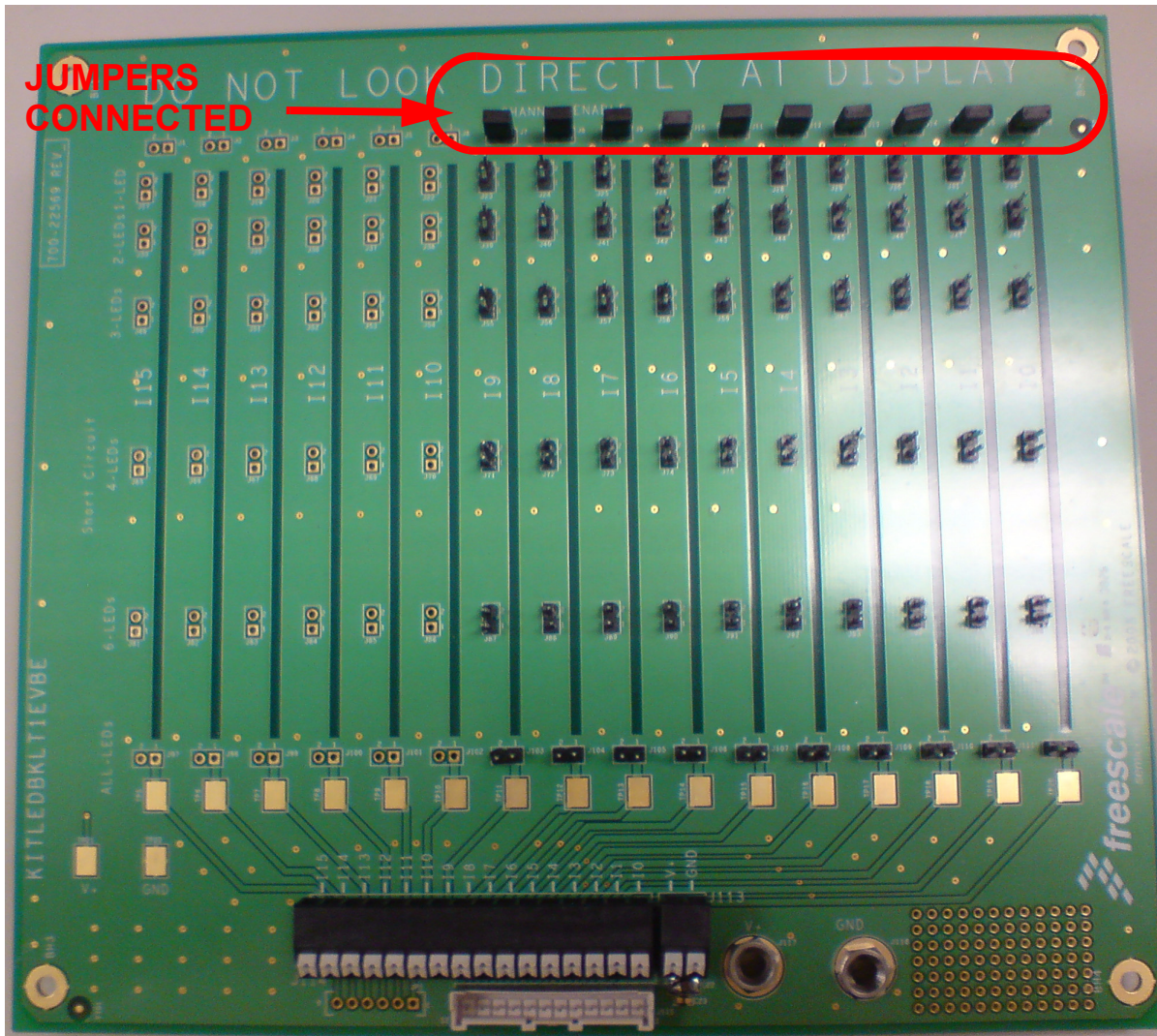


Figure 7. LED Load Board

### Jumper Function:

- Top horizontal jumpers: Channel strings enabled. This LED Load Board has only 10 Channels populated.
- Bottom horizontal jumpers : Connect the LED Channels to the voltage at the boost.
- Vertical jumpers: Short circuit LEDs



# 10 EVB Schematic (1) - MC34844 Section

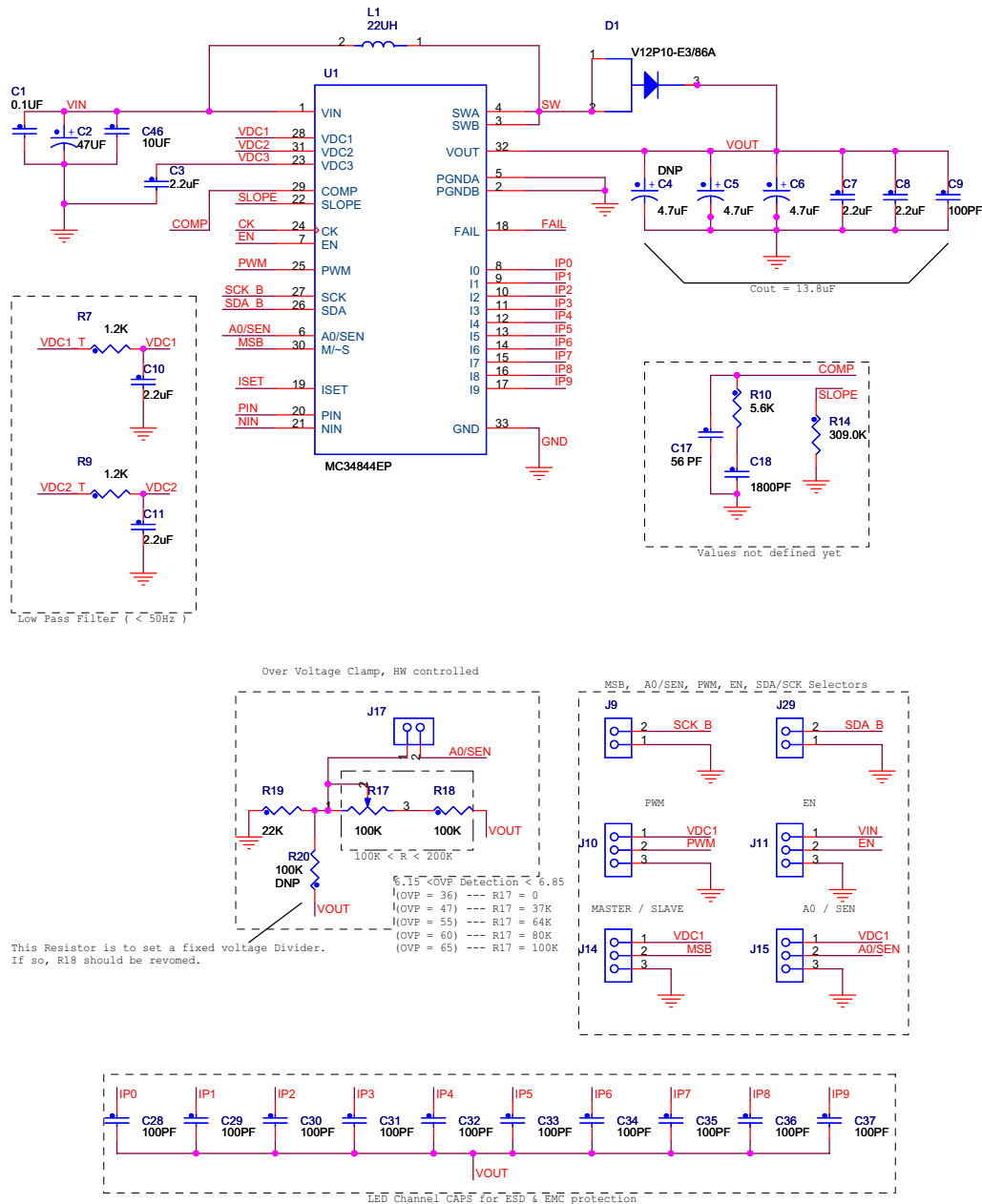


Figure 8. EVB Schematic (1)

# 11 EVB Schematic (2) - MC34844 Section

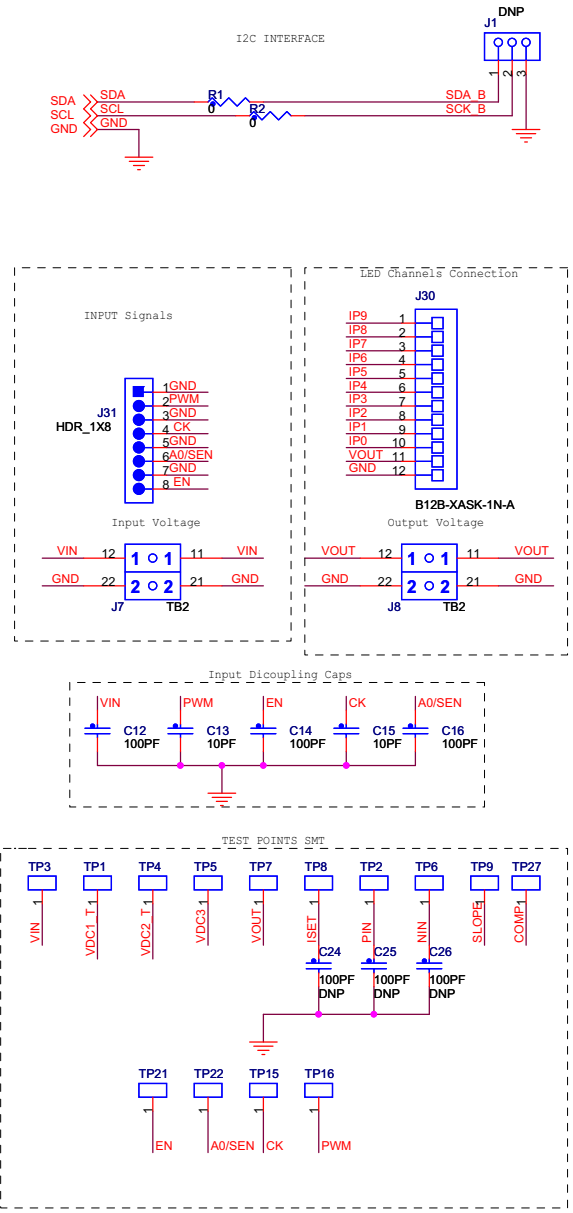


Figure 9. EVB Schematic (2)

## 12 EVB Schematic (3) - MC34844 Section

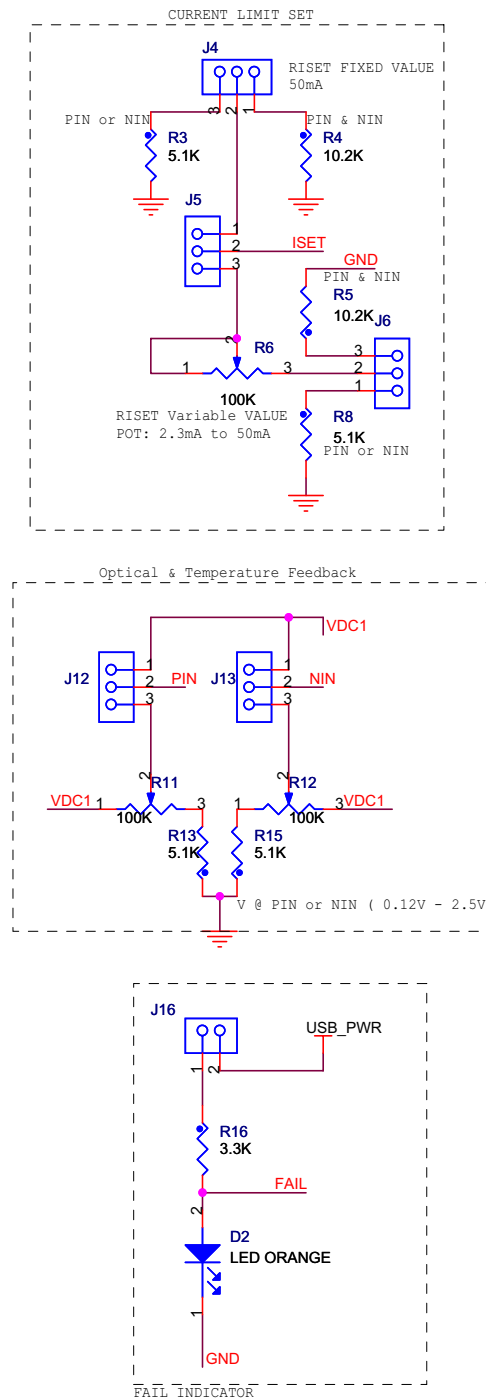


Figure 10. EVB Schematic (3)

# 13 EVb Schematic (4) - USB to I<sup>2</sup>C Section

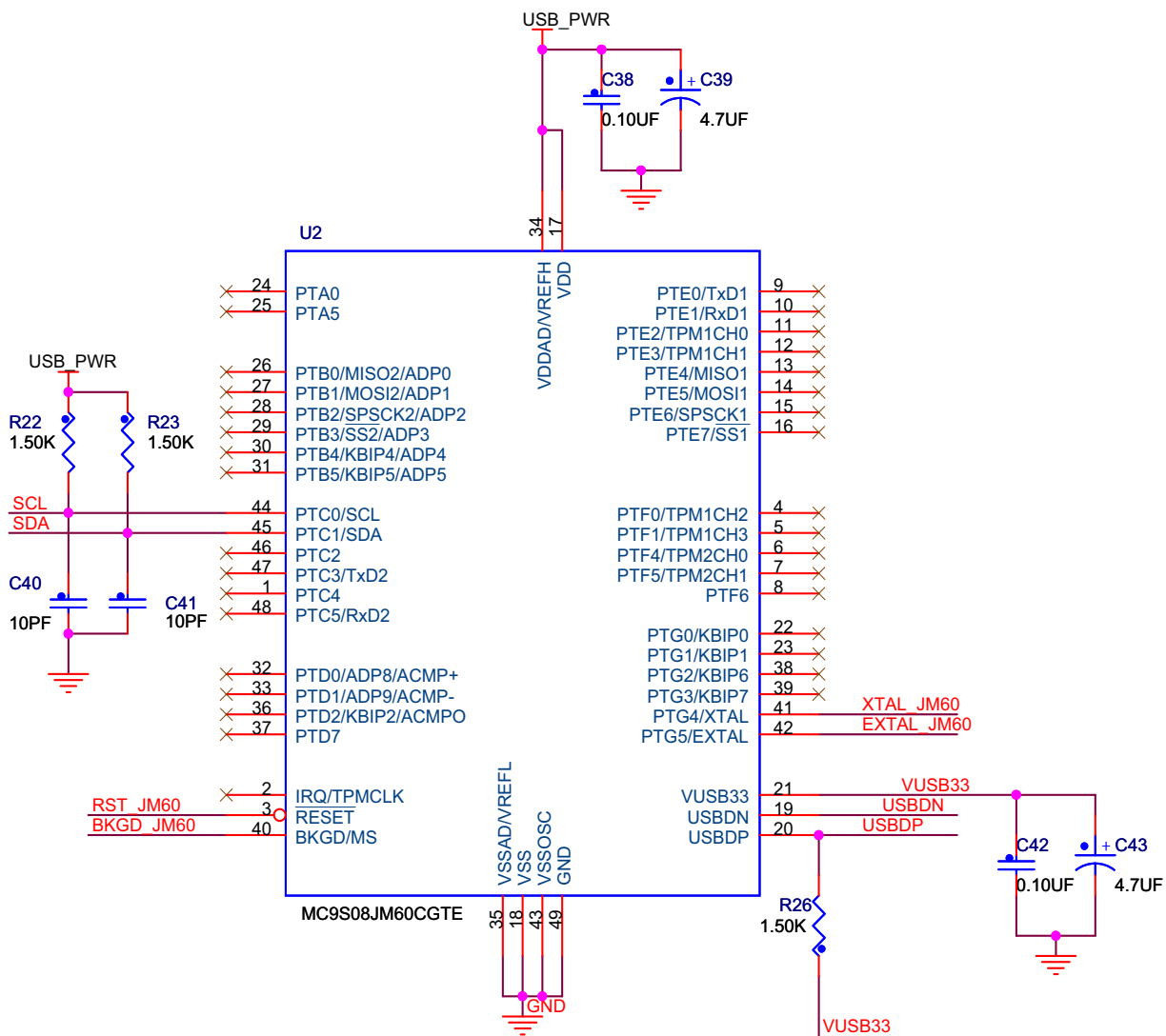


Figure 11. EVb Schematic (4)

# 14 EVB Schematic (5) - USB to I<sup>2</sup>C Section

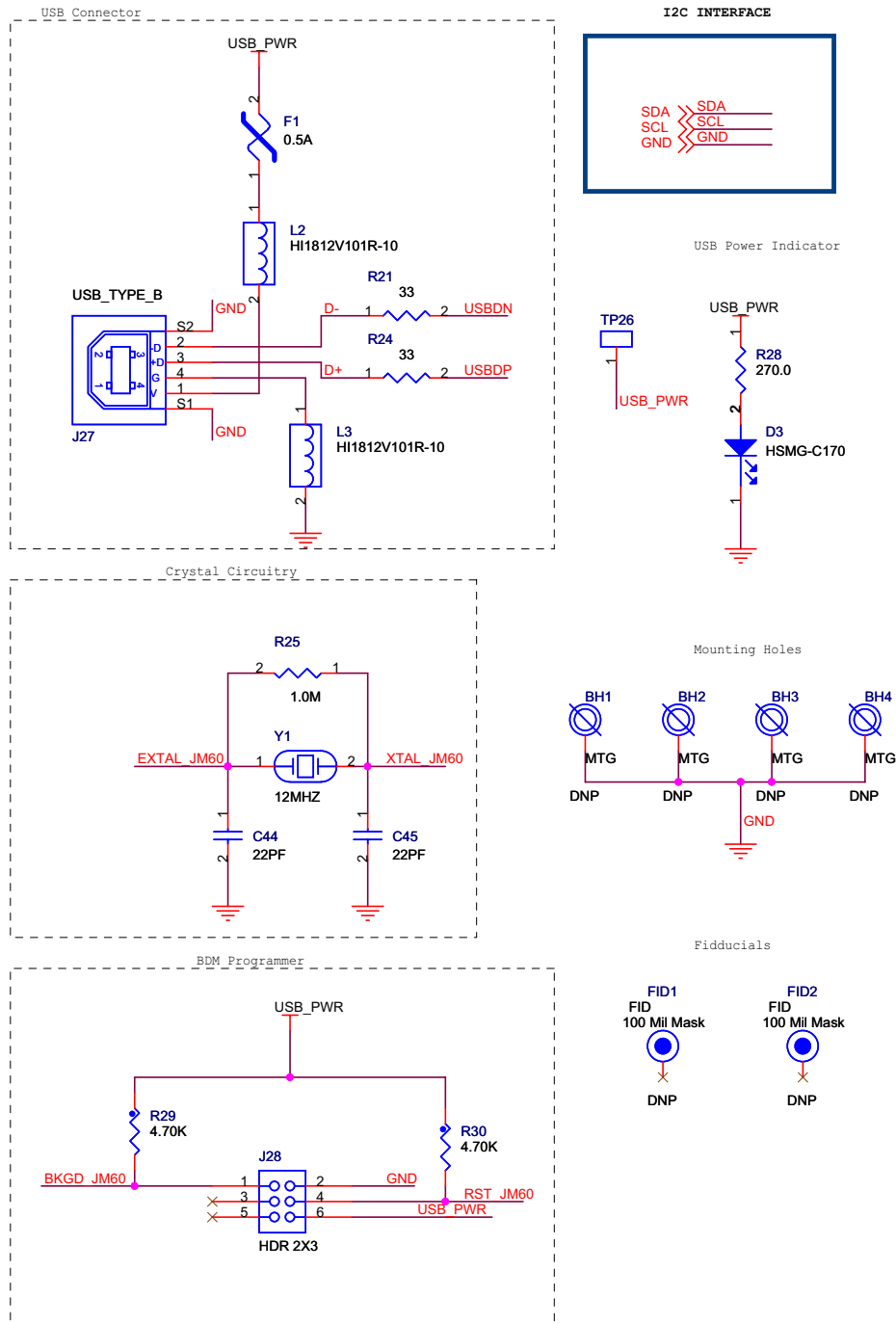


Figure 12. EVB Schematic (5)

# 15 Board Layout

## 15.1 Assembly Layer Top (x1.75)

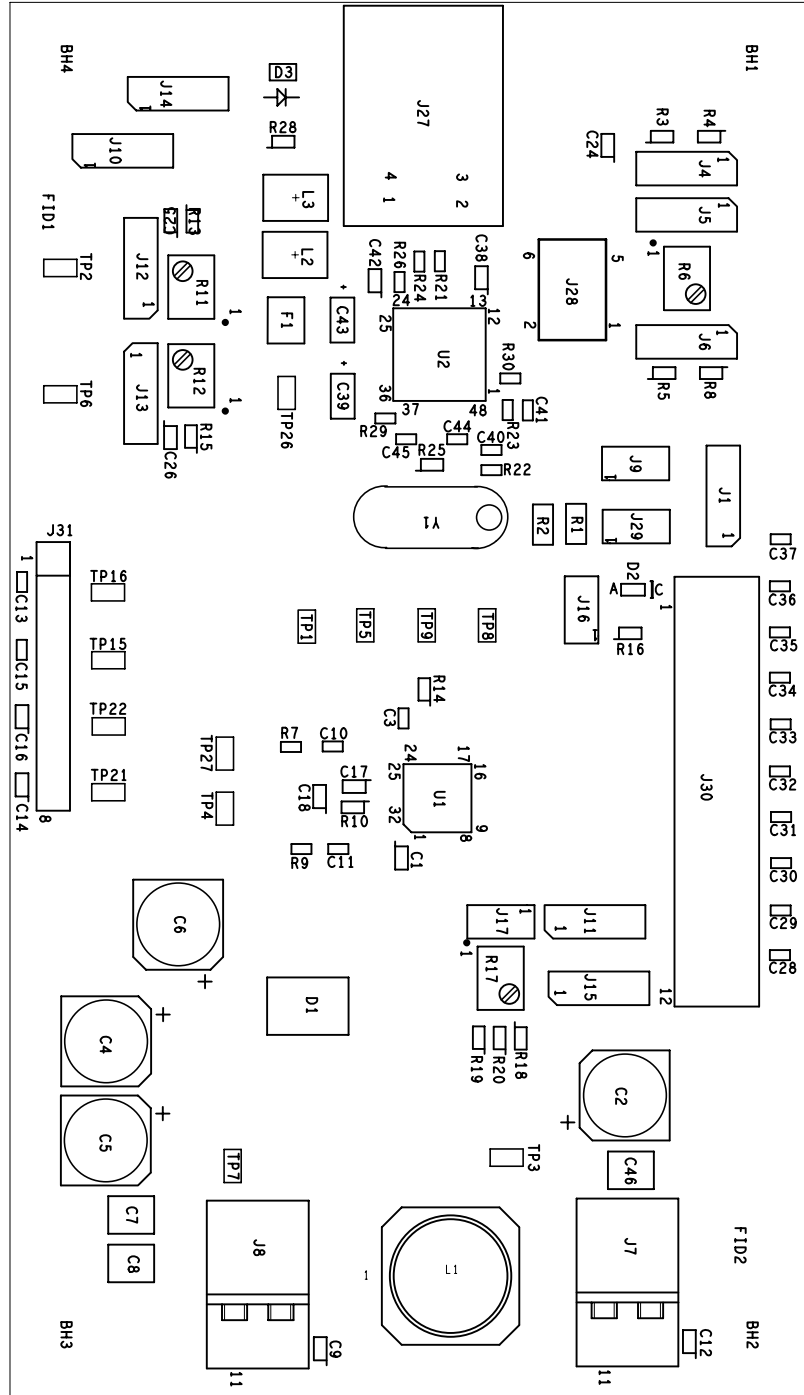


Figure 13. Assembly Layer Top

## 15.2 Silk Screen Top (x1.75)

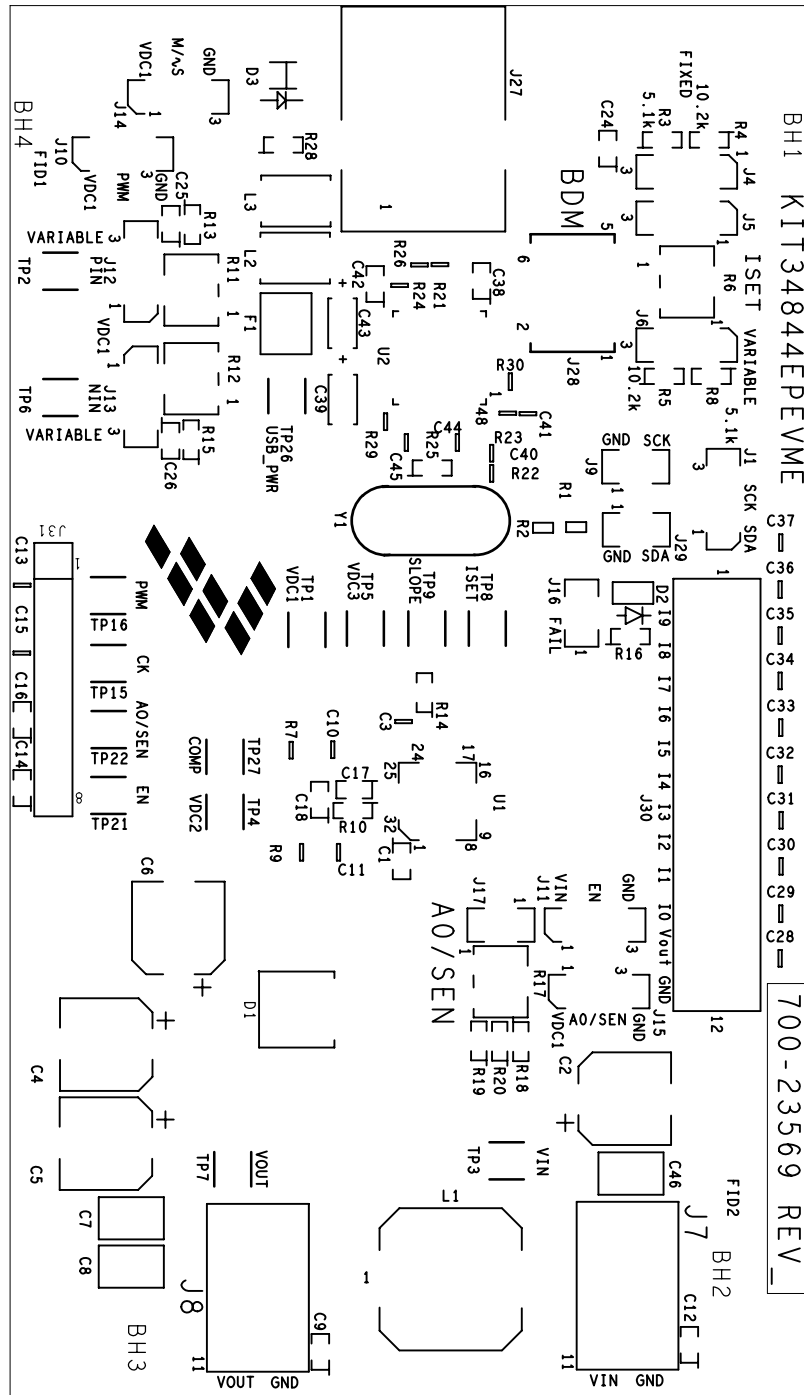


Figure 14. Silk Screen Top

### 15.3 Top Layer Routing (x1.75)

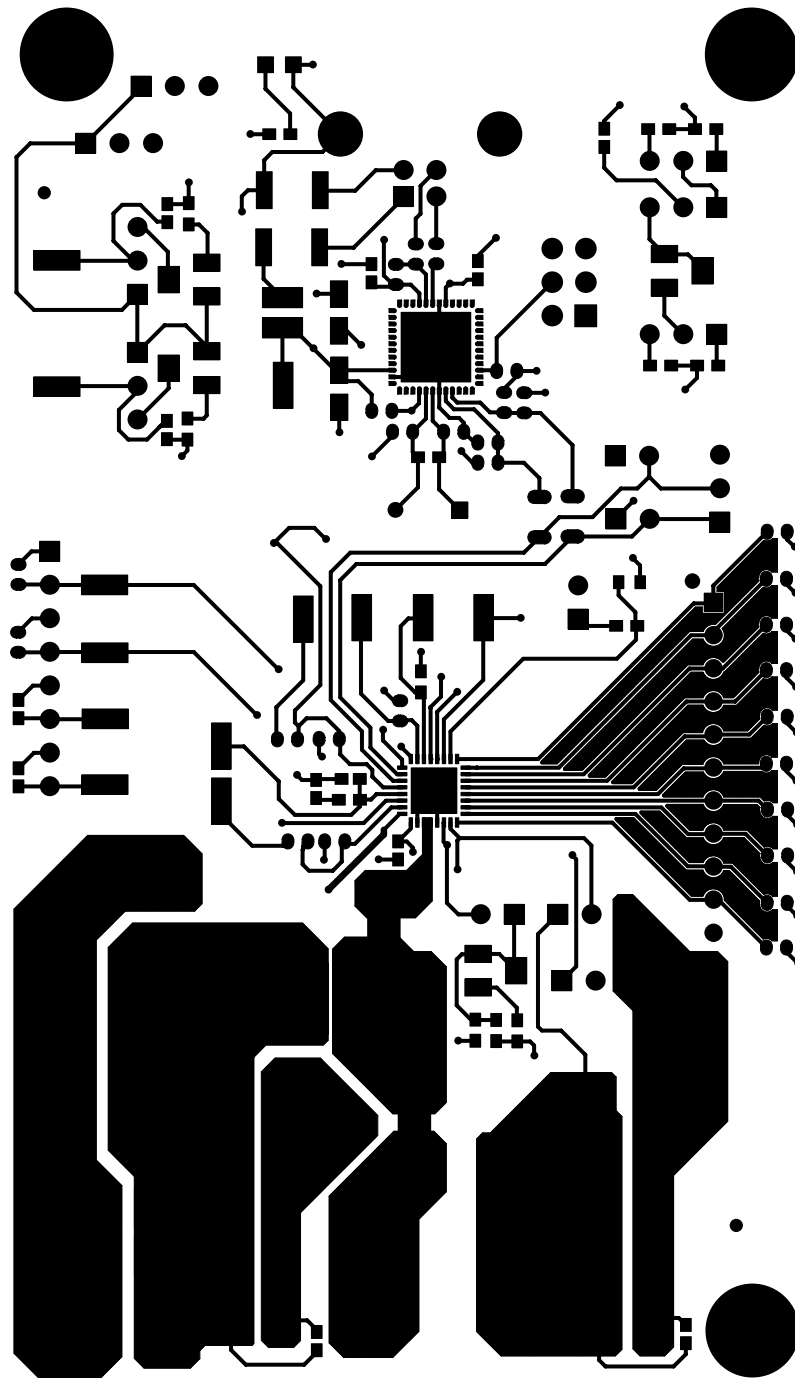


Figure 15. Top Layer Routing



## 15.4 INNER Layer 1 - GND Plane (x1.75)

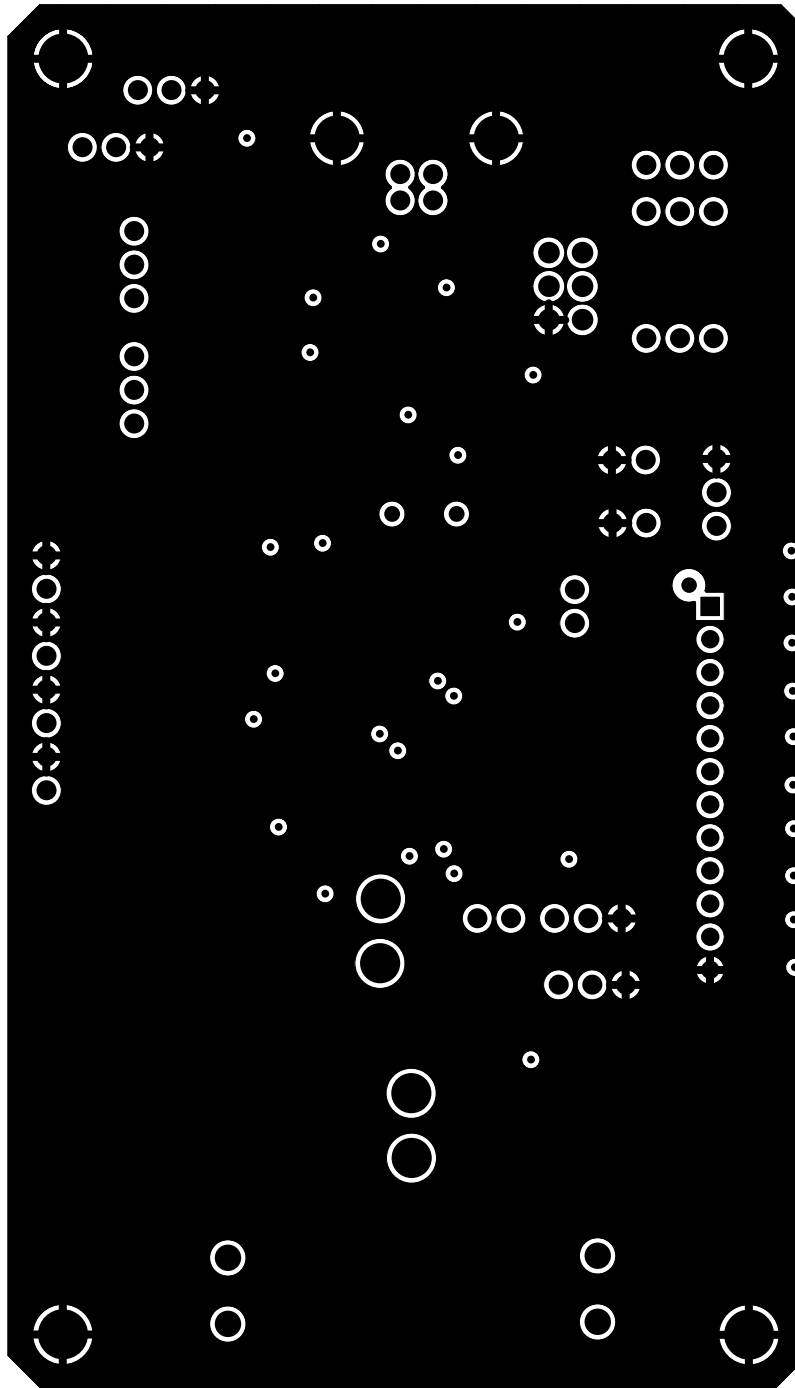


Figure 16. Inner Layer 1 - GND Plane

## 15.5 Inner Layer 2 Routing (x1.75)

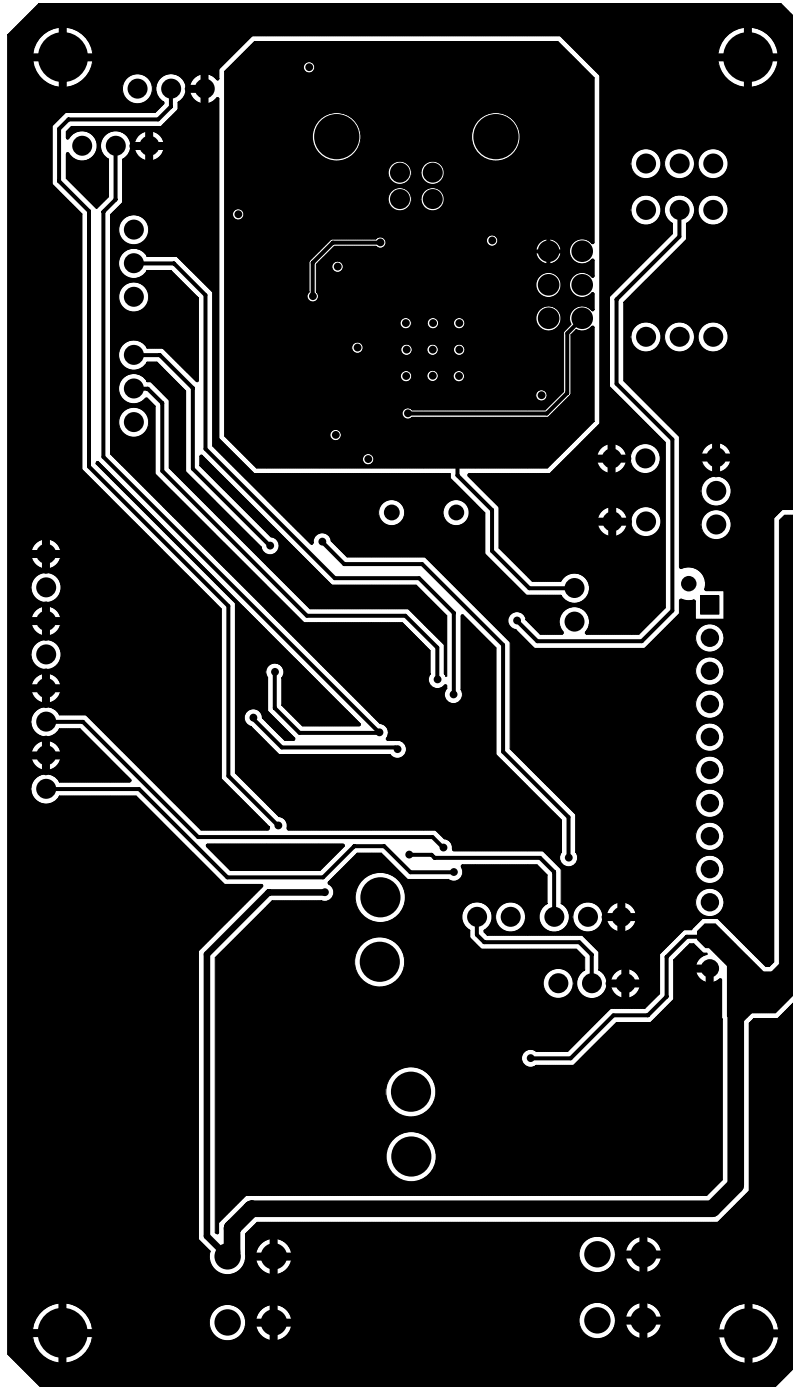


Figure 17. Inner Layer 2 Routing

## 15.6 Bottom Layer - GND Plane(Mirrored, x1.75)

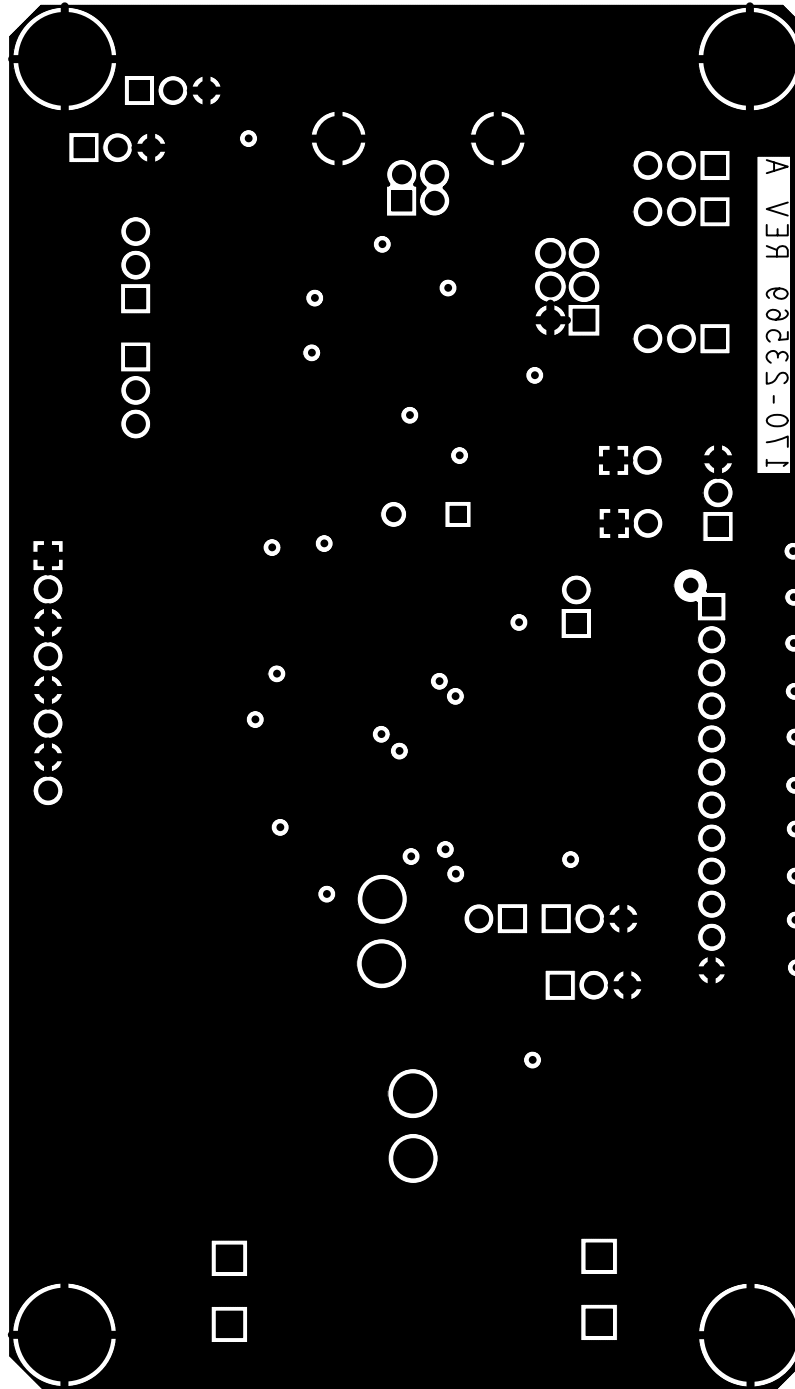


Figure 18. Bottom Layer - GND Plane

### 15.7 Silk Screen Bottom - (Mirrored, x1.75)

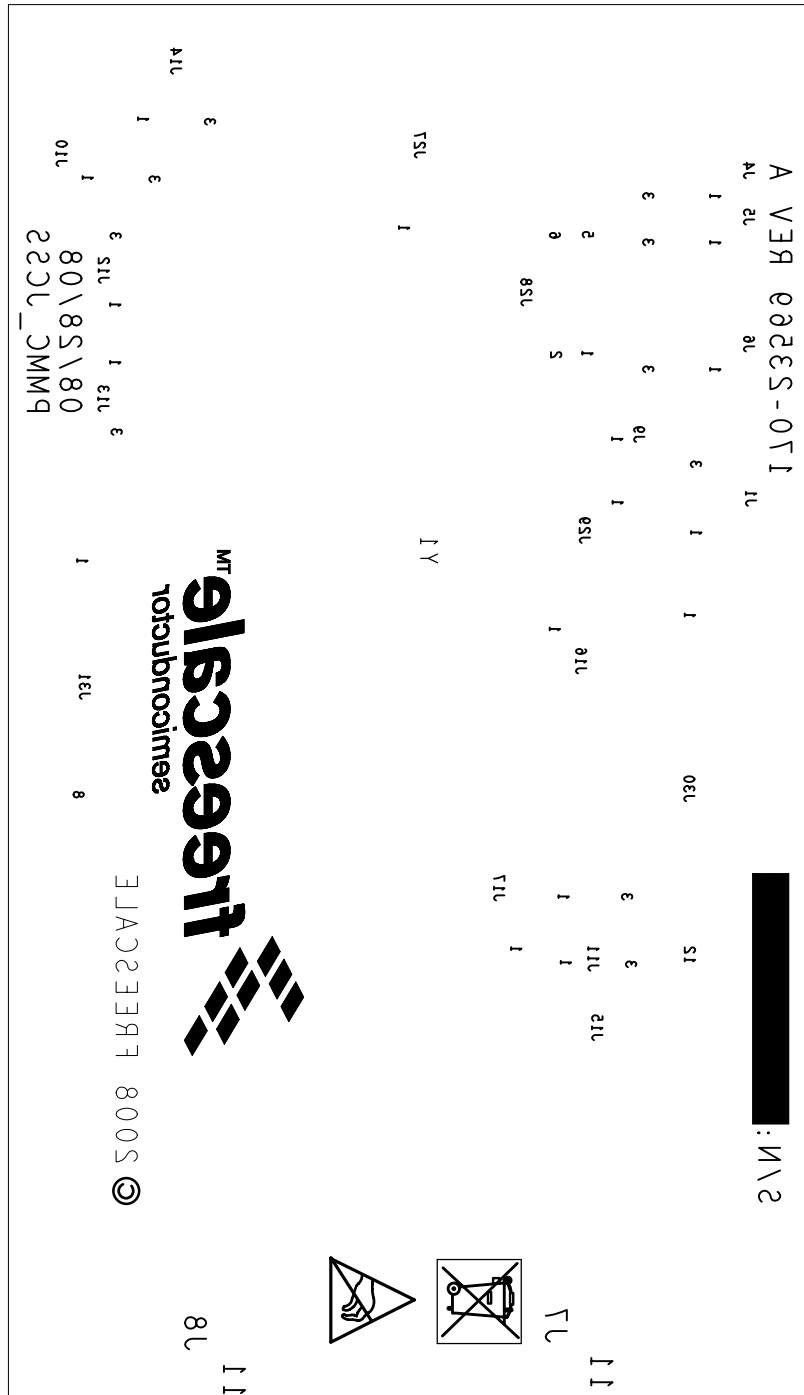
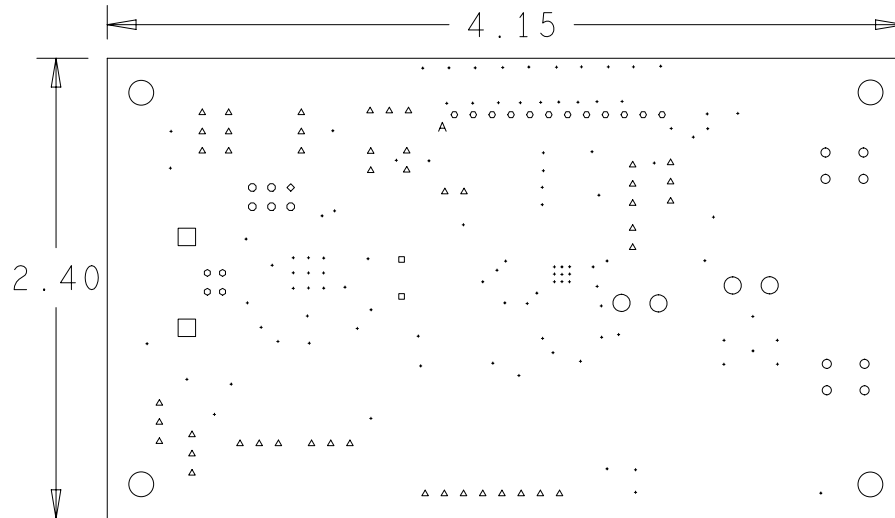


Figure 19. Silk Screen Bottom

## 15.8 Fabrication Drawing



DRILL CHART: TOP to BOTTOM				
ALL UNITS ARE IN MILS				
FIGURE	SIZE	TOLERANCE	PLATED	QTY
.	13.0	+3.0/-3.0	PLATED	104
◻	30.0	+3.0/-3.0	PLATED	2
◦	35.0	+3.0/-3.0	PLATED	12
◦	36.0	+3.0/-3.0	PLATED	4
◦	39.4	+3.0/-3.0	PLATED	5
◊	39.4	+3.0/-3.0	PLATED	1
△	40.0	+3.0/-3.0	PLATED	46
◦	47.2	+3.0/-3.0	PLATED	8
○	90.0	+3.0/-3.0	PLATED	4
◻	91.0	+3.0/-3.0	PLATED	2
○	130.0	+3.0/-3.0	PLATED	4
△	47.0	+3.0/-3.0	NON-PLATED	1

Figure 20. Fabrication Drawing

# 16 EVB Board BOM

Schematic Designator	Device	Type	Description	Manufacturer PN
<b>Freescall Components</b>				
U1	MC34844EP	qfn32	IC DRV 10 Channel LED 1.2MHz 7-30V QFN 32	<b>MC34844EP</b>
U2	MC9S08JM60CGTE	qfn48	IC MCU 8BIT 48MHZ 60KB FLASH 2.7-5.5V QFN48	<b>MC9S08JM60CGTE</b>
<b>Capacitors</b>				
C1	0.1UF	CC0603	CAP CER 0.1UF 50V 10% X7R 0603	GRM188R71H104KA93D
C2	47UF	CCE63X55	CAP ALEL 47UF 35V 20% -- SMT	UWT1V470MCL1GS
C3	2.2uF	CC0603_OV	CAP CER 2.2UF 16V 10% X5R 0603	GRM188R61C225KE15D
C10	2.2uF	CC0603_OV	CAP CER 2.2UF 16V 10% X5R 0603	GRM188R61C225KE15D
C11	2.2uF	CC0603_OV	CAP CER 2.2UF 16V 10% X5R 0603	GRM188R61C225KE15D
C5	4.7uF	CCE63X55	CAP ALEL 4.7UF 80V 20% -- SMT	EEE-FK1K4R7P
C6	4.7uF	CCE63X55	CAP ALEL 4.7UF 80V 20% -- SMT	EEE-FK1K4R7P
C7	2.2uF	cc1210	CAP CER 2.2UF 100V 10% X7R 1210	GRM32ER72A225KA35L
C8	2.2uF	cc1210	CAP CER 2.2UF 100V 10% X7R 1210	GRM32ER72A225KA35L
C9	100PF	CC0603	CAP CER 100PF 100V 5% C0G 0603	C0603C0G101-101JNE
C12	100PF	CC0603	CAP CER 100PF 50V 10% X7R 0603	C0603X7R500-101KNP
C14	100PF	CC0603	CAP CER 100PF 50V 10% X7R 0603	C0603X7R500-101KNP
C16	100PF	CC0603	CAP CER 100PF 50V 10% X7R 0603	C0603X7R500-101KNP
C13	10PF	CC0603_OV	CAP CER 10PF 50V 1% C0G 0603	C0603C100F5GAC
C15	10PF	CC0603_OV	CAP CER 10PF 50V 1% C0G 0603	C0603C100F5GAC
C40	10PF	CC0603_OV	CAP CER 10PF 50V 1% C0G 0603	C0603C100F5GAC
C41	10PF	CC0603_OV	CAP CER 10PF 50V 1% C0G 0603	C0603C100F5GAC
C17	56 PF	CC0603	CAP CER 56PF 100V 5% C0G 0603	C0603C0G101-560JNE
C18	1800PF	CC0603	CAP CER 1800PF 50V 5% C0G 0603	C0603C0G500182JN
C28	100PF	CC0603_OV	CAP CER 100PF 100V 5% C0G 0603	C0603C0G101-101JNE
C29	100PF	CC0603_OV	CAP CER 100PF 100V 5% C0G 0603	C0603C0G101-101JNE
C30	100PF	CC0603_OV	CAP CER 100PF 100V 5% C0G 0603	C0603C0G101-101JNE
C31	100PF	CC0603_OV	CAP CER 100PF 100V 5% C0G 0603	C0603C0G101-101JNE
C32	100PF	CC0603_OV	CAP CER 100PF 100V 5% C0G 0603	C0603C0G101-101JNE
C33	100PF	CC0603_OV	CAP CER 100PF 100V 5% C0G 0603	C0603C0G101-101JNE
C34	100PF	CC0603_OV	CAP CER 100PF 100V 5% C0G 0603	C0603C0G101-101JNE
C35	100PF	CC0603_OV	CAP CER 100PF 100V 5% C0G 0603	C0603C0G101-101JNE
C36	100PF	CC0603_OV	CAP CER 100PF 100V 5% C0G 0603	C0603C0G101-101JNE
C37	100PF	CC0603_OV	CAP CER 100PF 100V 5% C0G 0603	C0603C0G101-101JNE
C38	0.10UF	CC0603	CAP CER 0.10UF 16V 5% X7R 0603	0603YC104JAT2A
C42	0.10UF	CC0603	CAP CER 0.10UF 16V 5% X7R 0603	0603YC104JAT2A
C39	4.7UF	CASE_A	CAP TANT 4.7UF 10V 10% -- 3216-18	TAJA475K010R
C43	4.7UF	CASE_A	CAP TANT 4.7UF 10V 10% -- 3216-18	TAJA475K010R
C44	22PF	CC0603_OV	CAP CER 22PF 16V 1% COG 0603	C0603C220F4GAC
C45	22PF	CC0603_OV	CAP CER 22PF 16V 1% COG 0603	C0603C220F4GAC
C46	10UF	CC1210	CAP CER 10UF 35V +80%/-20% Y5V 1210	GMK325F106ZH
<p><small>Freescall does not assume liability, endorse, or warrant components from external manufacturers that are referenced in circuit drawings or tables. While Freescall offers component recommendations in this configuration, it is the customer's responsibility to validate their application</small></p>				

Schematic Designator	Device	Type	Description	Manufacturer PN
<b>Diodes</b>				
D1	V12P10-E3/86A	to_227a	DIODE SCH 12A 100V SMPC	V12P10-E3/86A
D2	LED ORANGE	0603led	LED OR SGL 20MA 0603	LO L29K-J2L1-24-Z
D3	HSMG-C170	HSMX-C170	LED GREEN SGL 2.2V 20MA 0805	HSMG-C170
<b>Fuses</b>				
F1	0.5A	IND_1210	FUSE PLYSW 0.5A 13.2V SMT	MICROSMD050F-2
<b>Headers and Connectors</b>				
J4	HDR_1X3	HDR103	HDR 1X3 TH 100MIL SP 330H AU	TSW-103-07-G-S
J5	HDR_1X3	HDR103	HDR 1X3 TH 100MIL SP 330H AU	TSW-103-07-G-S
J6	HDR_1X3	HDR103	HDR 1X3 TH 100MIL SP 330H AU	TSW-103-07-G-S
J10	HDR_1X3	HDR103	HDR 1X3 TH 100MIL SP 330H AU	TSW-103-07-G-S
J11	HDR_1X3	HDR103	HDR 1X3 TH 100MIL SP 330H AU	TSW-103-07-G-S
J12	HDR_1X3	HDR103	HDR 1X3 TH 100MIL SP 330H AU	TSW-103-07-G-S
J13	HDR_1X3	HDR103	HDR 1X3 TH 100MIL SP 330H AU	TSW-103-07-G-S
J14	HDR_1X3	HDR103	HDR 1X3 TH 100MIL SP 330H AU	TSW-103-07-G-S
J15	HDR_1X3	HDR103	HDR 1X3 TH 100MIL SP 330H AU	TSW-103-07-G-S
J7	TB2	con2x2	CON 2 TB TH 3.5MM SP SN	1885180000
J8	TB2	con2x2	CON 2 TB TH 3.5MM SP SN	1885180000
J9	HDR_1X2	HDR102	HDR 1X2 TH 100MIL SP 375H AU	826629-2
J16	HDR_1X2	HDR102	HDR 1X2 TH 100MIL SP 375H AU	826629-2
J17	HDR_1X2	HDR102	HDR 1X2 TH 100MIL SP 375H AU	826629-2
J29	HDR_1X2	HDR102	HDR 1X2 TH 100MIL SP 375H AU	826629-2
J27	USB_TYPE_B	CON_USB	CON 2X2 USB TYPE B RA SKT SHLD	2UB1505-000101
J28	HDR 2X3	hdr203_m20	HDR 2X3 TH 2.54MM CTR 340H AU	M20-9980345
J30	B12B-XASK-1N-A	hdr_12_xask	HDR 1X12 TH 2.5MM SP 346MIL SN	B12B-XASK-1N-A
J31	HDR_1X8	JUMP1X8	HDR 1X8 TH 100MIL SP 330H AU	TSW-108-07-G-S
<b>Inductors</b>				
L1	22UH	10p4x10p4	IND PWR 22UH@100KHZ 2.25A 20% SMT	B82464G4223M
L2	HI1812V101R-10	IND_1812	IND FER 100 OHM@100MHZ 8A 25% SMD/1812	HI1812V101R-10
L3	HI1812V101R-10	IND_1812	IND FER 100 OHM@100MHZ 8A 25% SMD/1812	HI1812V101R-10
<b>Resistors</b>				
R1	0	RC1206_OV	RES MF ZERO OHM 1/4W -- 1206	CRCW12060000Z0EA
R2	0	RC1206_OV	RES MF ZERO OHM 1/4W -- 1206	CRCW12060000Z0EA
R3	5.1K	RC0603	RES MF 5.1K 1/10W 1% 0603	RK73H1JT5D101F
R8	5.1K	RC0603	RES MF 5.1K 1/10W 1% 0603	RK73H1JT5D101F
R13	5.1K	RC0603	RES MF 5.1K 1/10W 1% 0603	RK73H1JT5D101F
R15	5.1K	RC0603	RES MF 5.1K 1/10W 1% 0603	RK73H1JT5D101F
R4	10.2K	RC0603	RES MF 10.2K 1/10W 1% 0603	RK73H1JT5D1022F
R5	10.2K	RC0603	RES MF 10.2K 1/10W 1% 0603	RK73H1JT5D1022F
R6	100K	pot3_3224w	RES POT 100K 1/4W 10% 5 TURNS WSH SMT	3214W-1-104E
R11	100K	pot3_3224w	RES POT 100K 1/4W 10% 5 TURNS WSH SMT	3214W-1-104E
R12	100K	pot3_3224w	RES POT 100K 1/4W 10% 5 TURNS WSH SMT	3214W-1-104E
<p>Freescale does not assume liability, endorse, or warrant components from external manufacturers that are referenced in circuit drawings or tables. While Freescale offers component recommendations in this configuration, it is the customer's responsibility to validate their application</p>				

**EVB Board BOM**

Schematic Designator	Device	Type	Description	Manufacturer PN
<b>Resistors (Continued)</b>				
R17	100K	pot3_3224w	RES POT 100K 1/4W 10% 5 TURNS WSH SMT	3214W-1-104E
R7	1.2K	RC0603_OV	RES MF 1.2K 1/10W 1% 0603	RK73H1JTDD1201F
R9	1.2K	RC0603_OV	RES MF 1.2K 1/10W 1% 0603	RK73H1JTDD1201F
R10	5.6K	RC0603	RES MF 5.6K 1/10W 1% 0603	RK73H1JTDD5601F
R14	309.0K	RC0603	RES MF 309.0K 1/10W 1% 0603	RK73H1JTDD3093F
R16	3.3K	RC0603	RES MF 3.30K 1/10W 1% 0603	RK73H1JTDD3301F
R18	100K	RC0603	RES MF 100K 1/10W 5% 0603	CR0603-JW-104ELF
R19	22K	RC0603	RES MF 22.0K 1/10W 1% 0603	RK73H1JTDD2202F
R21	33	RC0603_OV	RES MF 33.0 OHM 1/10W 1% 0603	RK73H1JTDD33R0F
R24	33	RC0603_OV	RES MF 33.0 OHM 1/10W 1% 0603	RK73H1JTDD33R0F
R22	1.50K	RC0603_OV	RES MF 1.50K 1/10W 1% 0603	RK73H1JTDD1501F
R23	1.50K	RC0603_OV	RES MF 1.50K 1/10W 1% 0603	RK73H1JTDD1501F
R26	1.50K	RC0603_OV	RES MF 1.50K 1/10W 1% 0603	RK73H1JTDD1501F
R25	1.0M	RC0603	RES MF 1.0M 1/10W 1% 0603	RK73H1JTDD1004F
R28	270	RC0603	RES MF 270.0 OHM 1/10W 1% 0603	RK73H1JTDD2700F
R29	4.70K	RC0603_OV	RES MF 4.70K 1/10W 1% 0603	RK73H1JTDD4701F
R30	4.70K	RC0603_OV	RES MF 4.70K 1/10W 1% 0603	RK73H1JTDD4701F
<b>Test Points</b>				
TP1	TEST POINT	tp_059mil	TEST POINT PIN .138X.059 SMT	C12000B
TP2	TEST POINT	tp_059mil	TEST POINT PIN .138X.059 SMT	C12000B
TP3	TEST POINT	tp_059mil	TEST POINT PIN .138X.059 SMT	C12000B
TP4	TEST POINT	tp_059mil	TEST POINT PIN .138X.059 SMT	C12000B
TP5	TEST POINT	tp_059mil	TEST POINT PIN .138X.059 SMT	C12000B
TP6	TEST POINT	tp_059mil	TEST POINT PIN .138X.059 SMT	C12000B
TP7	TEST POINT	tp_059mil	TEST POINT PIN .138X.059 SMT	C12000B
TP8	TEST POINT	tp_059mil	TEST POINT PIN .138X.059 SMT	C12000B
TP9	TEST POINT	tp_059mil	TEST POINT PIN .138X.059 SMT	C12000B
TP15	TEST POINT	tp_059mil	TEST POINT PIN .138X.059 SMT	C12000B
TP16	TEST POINT	tp_059mil	TEST POINT PIN .138X.059 SMT	C12000B
TP21	TEST POINT	tp_059mil	TEST POINT PIN .138X.059 SMT	C12000B
TP22	TEST POINT	tp_059mil	TEST POINT PIN .138X.059 SMT	C12000B
TP26	TEST POINT	tp_059mil	TEST POINT PIN .138X.059 SMT	C12000B
TP27	TEST POINT	tp_059mil	TEST POINT PIN .138X.059 SMT	C12000B
<b>XTAL</b>				
Y1	12MHZ	XTL_HC49S	XTAL 12.000MHZ SER -- TH	HC49US12.000MABJ-UT
<p style="color: red; font-size: small;">Freescale does not assume liability, endorse, or warrant components from external manufacturers that are referenced in circuit drawings or tables. While Freescale offers component recommendations in this configuration, it is the customer's responsibility to validate their application</p>				



## 17 References

Following are URLs where you can obtain information on other Freescale products and application solutions:

<b>Description</b>	<b>URL</b>
Data Sheet	<a href="http://www.freescale.com/files/analog/doc/data_sheet/MC34844.pdf">www.freescale.com/files/analog/doc/data_sheet/MC34844.pdf</a>
Freescale's Web Site	<a href="http://www.freescale.com">www.freescale.com</a>
Freescale's Analog Web Site	<a href="http://www.freescale.com/analog">www.freescale.com/analog</a>
Freescale's Power Management Web Site	<a href="http://www.freescale.com/pm">www.freescale.com/pm</a>
Freescale's LED Drivers	<a href="http://www.freescale.com/webapp/sps/site/taxonomy.jsp?code=LEDBLDRIVER">www.freescale.com/webapp/sps/site/taxonomy.jsp?code=LEDBLDRIVER</a>

## 18 Revision History

REVISION	DATE	DESCRIPTION OF CHANGES
1.0	10/2008	<ul style="list-style-type: none"><li>Initial Release</li></ul>

## **How to Reach Us:**

### **Home Page:**

[www.freescale.com](http://www.freescale.com)

### **Web Support:**

<http://www.freescale.com/support>

### **USA/Europe or Locations Not Listed:**

Freescale Semiconductor, Inc.  
Technical Information Center, EL516  
2100 East Elliot Road  
Tempe, Arizona 85284  
+1-800-521-6274 or +1-480-768-2130  
[www.freescale.com/support](http://www.freescale.com/support)

### **Europe, Middle East, and Africa:**

Freescale Halbleiter Deutschland GmbH  
Technical Information Center  
Schatzbogen 7  
81829 Muenchen, Germany  
+44 1296 380 456 (English)  
+46 8 52200080 (English)  
+49 89 92103 559 (German)  
+33 1 69 35 48 48 (French)  
[www.freescale.com/support](http://www.freescale.com/support)

### **Japan:**

Freescale Semiconductor Japan Ltd.  
Headquarters  
ARCO Tower 15F  
1-8-1, Shimo-Meguro, Meguro-ku,  
Tokyo 153-0064  
Japan  
0120 191014 or +81 3 5437 9125  
[support.japan@freescale.com](mailto:support.japan@freescale.com)

### **Asia/Pacific:**

Freescale Semiconductor China Ltd.  
Exchange Building 23F  
No. 118 Jianguo Road  
Chaoyang District  
Beijing 100022  
China  
+86 10 5879 8000  
[support.asia@freescale.com](mailto:support.asia@freescale.com)

### **For Literature Requests Only:**

Freescale Semiconductor Literature Distribution Center  
P.O. Box 5405  
Denver, Colorado 80217  
1-800-441-2447 or 303-675-2140  
Fax: 303-675-2150  
[LDCForFreescaleSemiconductor@hibbertgroup.com](mailto:LDCForFreescaleSemiconductor@hibbertgroup.com)

Information in this document is provided solely to enable system and software implementers to use Freescale Semiconductor products. There are no express or implied copyright licenses granted hereunder to design or fabricate any integrated circuits or integrated circuits based on the information in this document.

Freescale Semiconductor reserves the right to make changes without further notice to any products herein. Freescale Semiconductor makes no warranty, representation or guarantee regarding the suitability of its products for any particular purpose, nor does Freescale Semiconductor assume any liability arising out of the application or use of any product or circuit, and specifically disclaims any and all liability, including without limitation consequential or incidental damages. "Typical" parameters that may be provided in Freescale Semiconductor data sheets and/or specifications can and do vary in different applications and actual performance may vary over time. All operating parameters, including "Typicals", must be validated for each customer application by customer's technical experts. Freescale Semiconductor does not convey any license under its patent rights nor the rights of others. Freescale Semiconductor products are not designed, intended, or authorized for use as components in systems intended for surgical implant into the body, or other applications intended to support or sustain life, or for any other application in which the failure of the Freescale Semiconductor product could create a situation where personal injury or death may occur. Should Buyer purchase or use Freescale Semiconductor products for any such unintended or unauthorized application, Buyer shall indemnify and hold Freescale Semiconductor and its officers, employees, subsidiaries, affiliates, and distributors harmless against all claims, costs, damages, and expenses, and reasonable attorney fees arising out of, directly or indirectly, any claim of personal injury or death associated with such unintended or unauthorized use, even if such claim alleges that Freescale Semiconductor was negligent regarding the design or manufacture of the part.

Freescale™ and the Freescale logo are trademarks of Freescale Semiconductor, Inc. All other product or service names are the property of their respective owners.

© Freescale Semiconductor, Inc., 2008. All rights reserved.