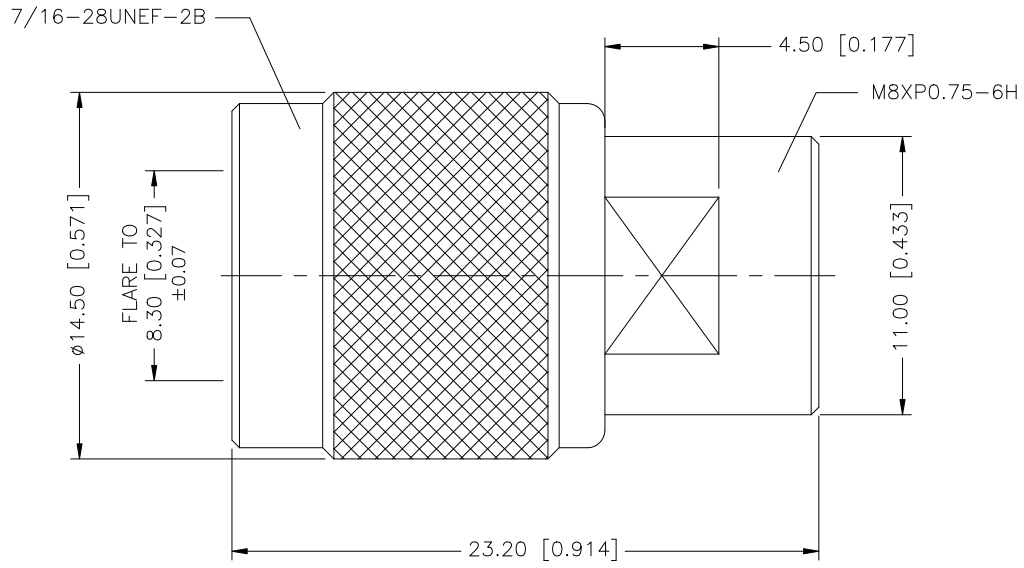


REV.	DATE	ECR NO.	DESCRIPTION
NC	11/22/08	-	INITIAL RELEASE



8				
7				
6				
5				
4	CONTACT PIN	BRASS	GOLD	1
3	INSULATOR	PTFE	NATURAL	1
2	BODY	BRASS	NICKEL	1
1	SHELL	BRASS	NICKEL	1
	DESCRIPTION	MATERIAL	FINISH	QTY

UNLESS OTHERWISE SPECIFIED DIMENSIONS ARE IN MILLIMETERS. DIMENSIONS IN [ ] ARE IN INCHES AND FOR CUSTOMER REFERENCE ONLY.

UNLESS OTHERWISE SPECIFIED TOLERANCES FOR MILLIMETERS ARE:  
0.5 - 8mm ± 0.20mm  
8 - 30mm ± 0.40mm  
30 - 120mm ± 0.50mm

UNLESS OTHERWISE SPECIFIED TOLERANCES FOR INCHES ARE:  
.020 - .315 = ± 0.007"  
.315 - 1.180 = ± 0.015"  
1.180 - 4.724 = ± 0.020"

DO NOT SCALE DRAWING

APPROVALS	DATE
DRAWN G.R.S.	11/22/08
CHECKED	
ISSUED	
SHEET 1 OF 1	
CAD FILE	C:/192/192105.DWG

<h1>Amphenol Connex</h1>			
PART DESCRIPTION FME MALE TO TNC MALE ADAPTER			
PART NO. 192105			
DWG. NO.	192105.DWG	REV.	NC
SIZE	A	SCALE	NA