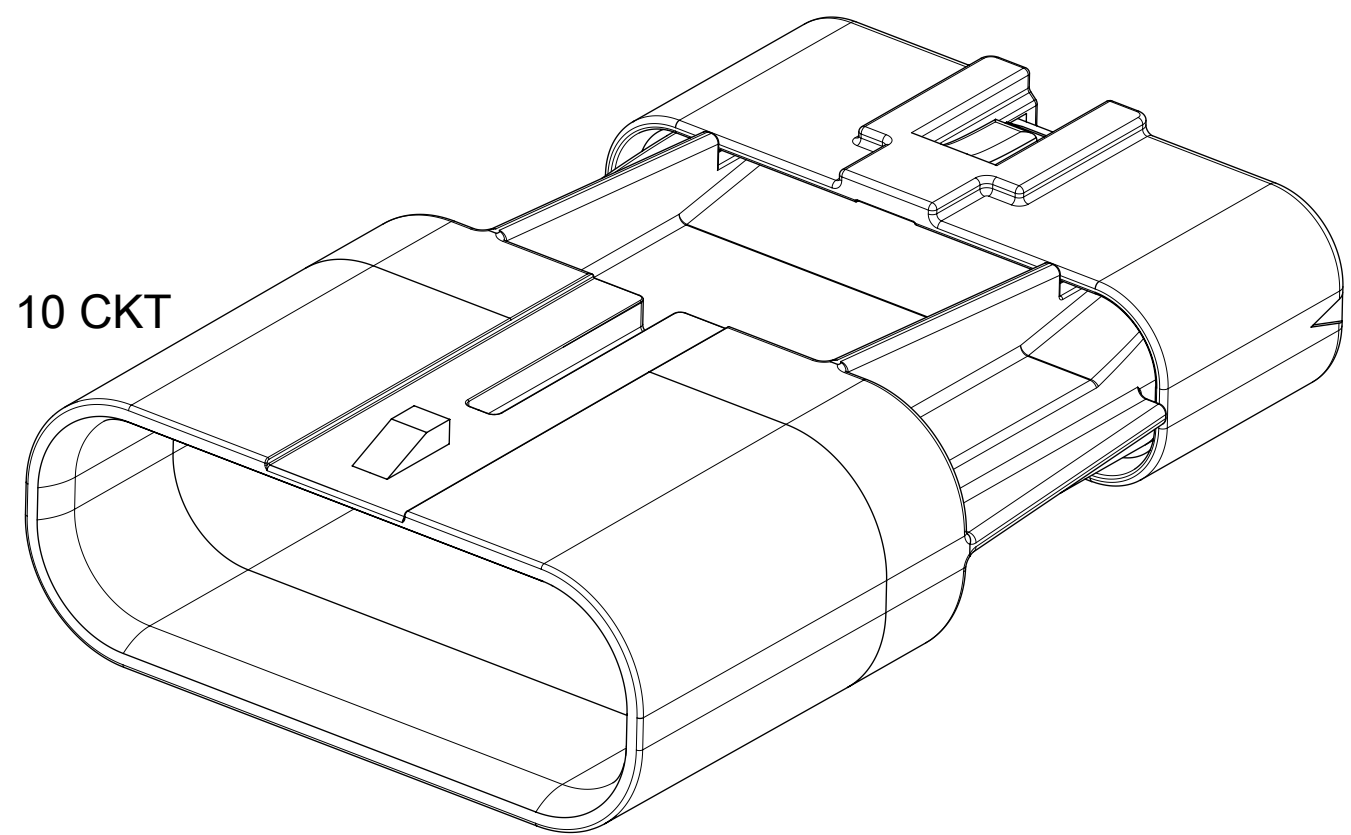
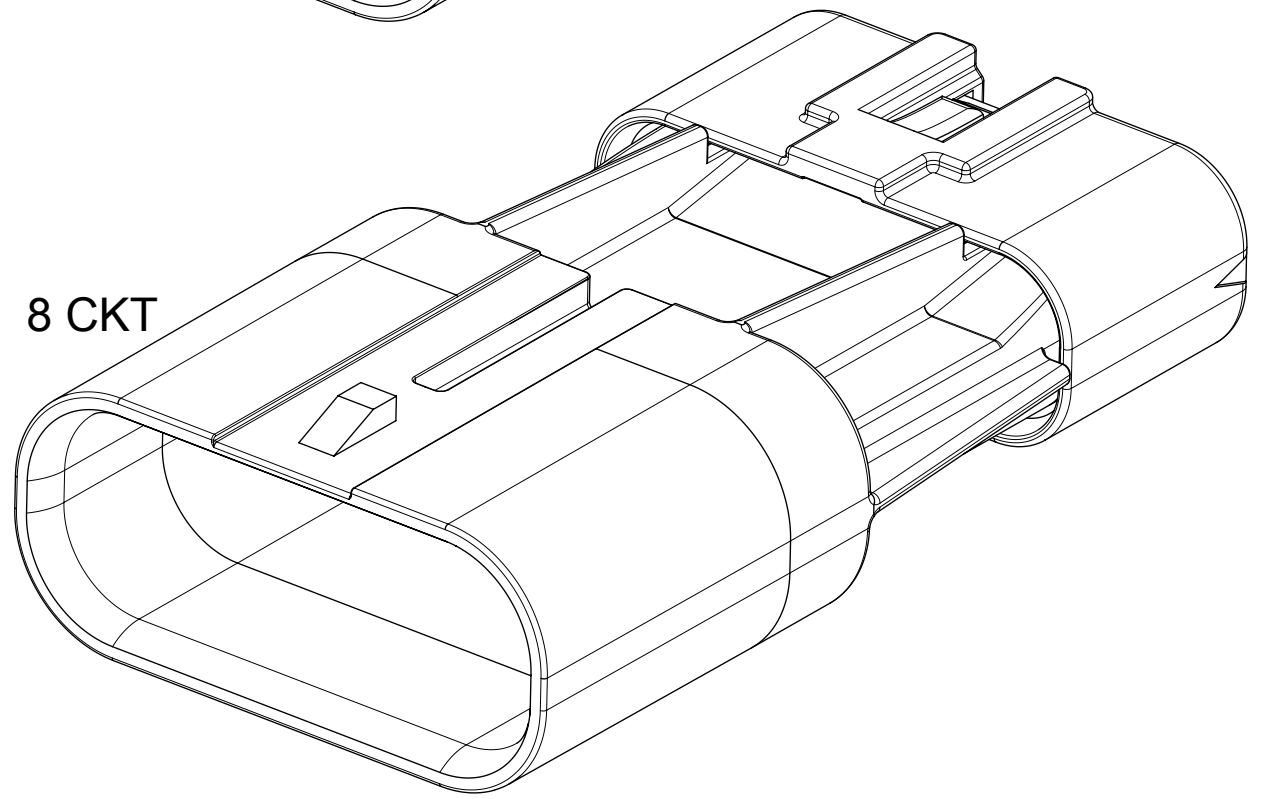
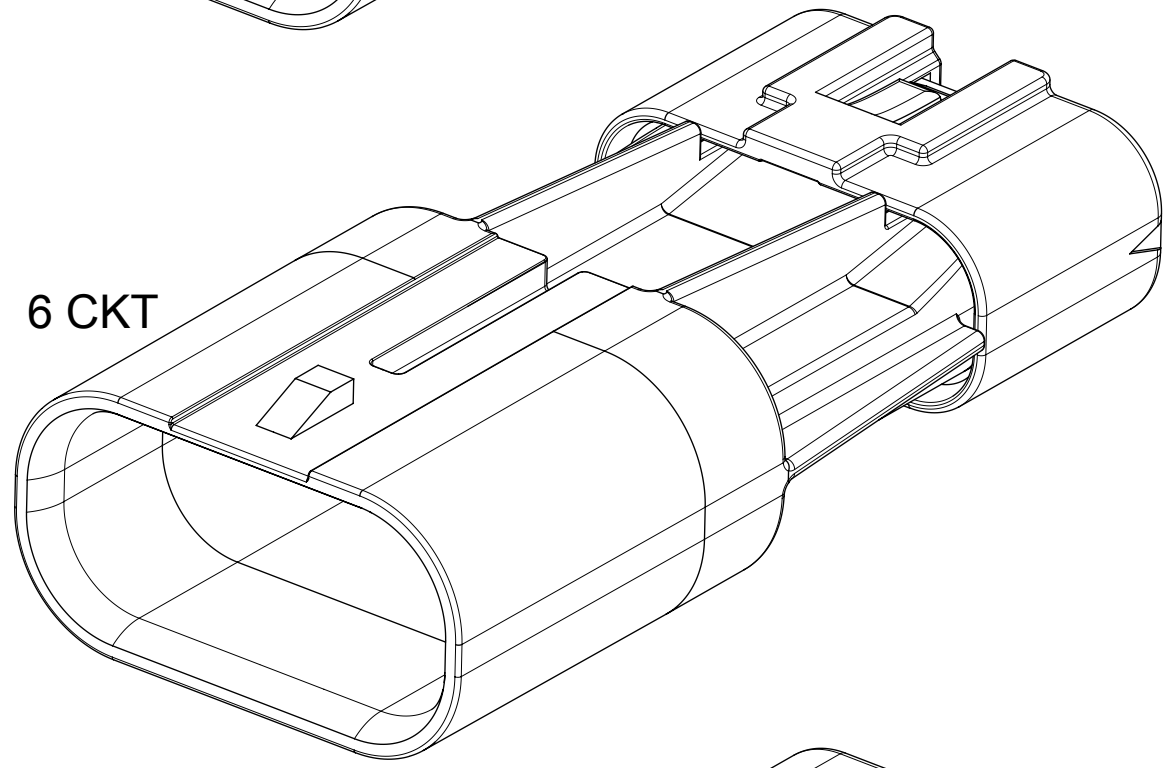
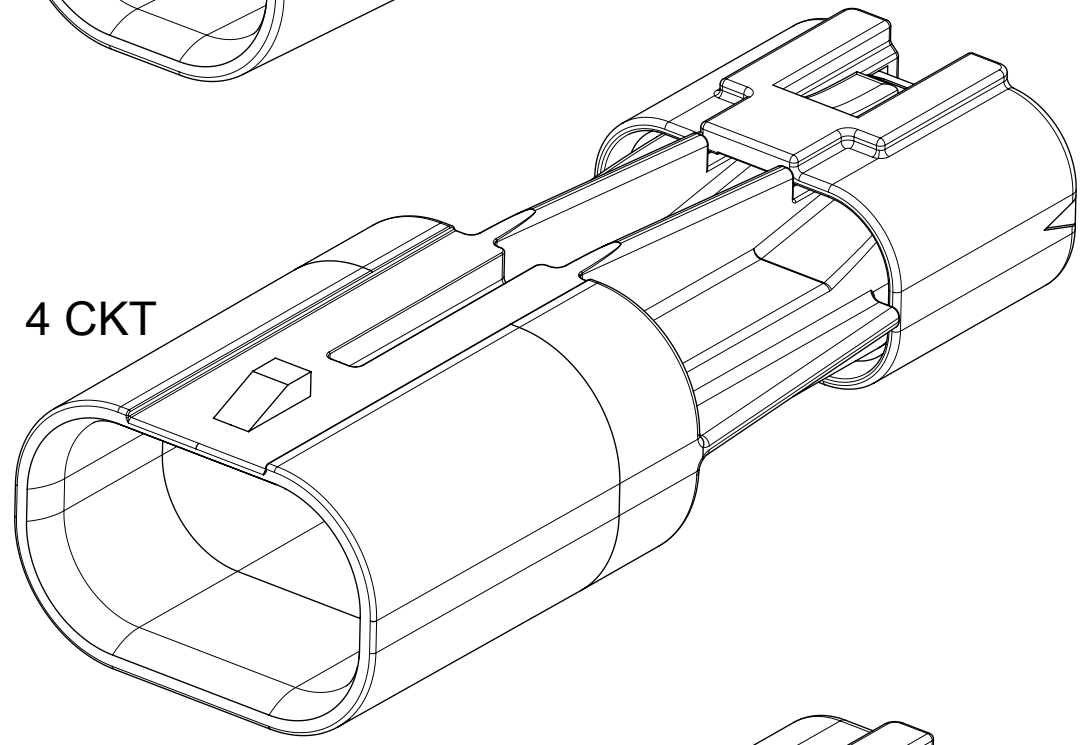
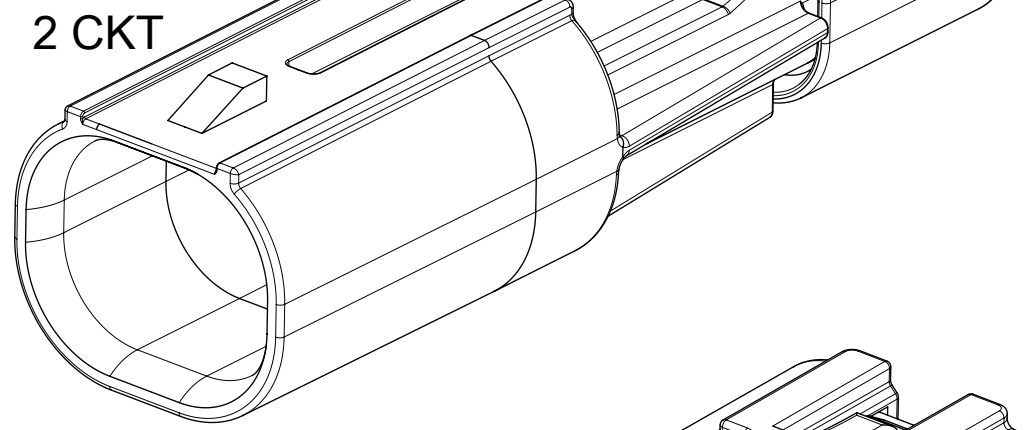
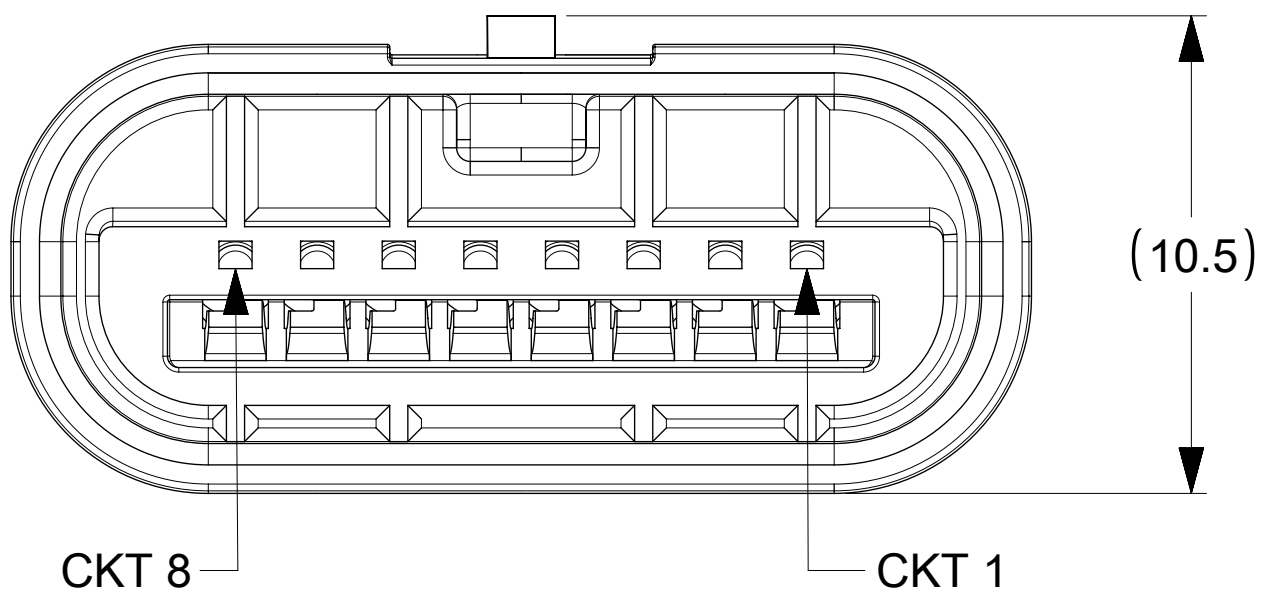


CIRCUIT SIZES
SCALE 4:1



(39.25)



A ←

TERMINAL SHOWN INSERTED
INTO HOUSING FOR REF ONLY

A ←

(DIM A)

LASER MARKED THIS SURFACE WITH
MOLEX PART NUMBER AND
JULIAN DATE CODE: DDDYY

MATTE
SEAL

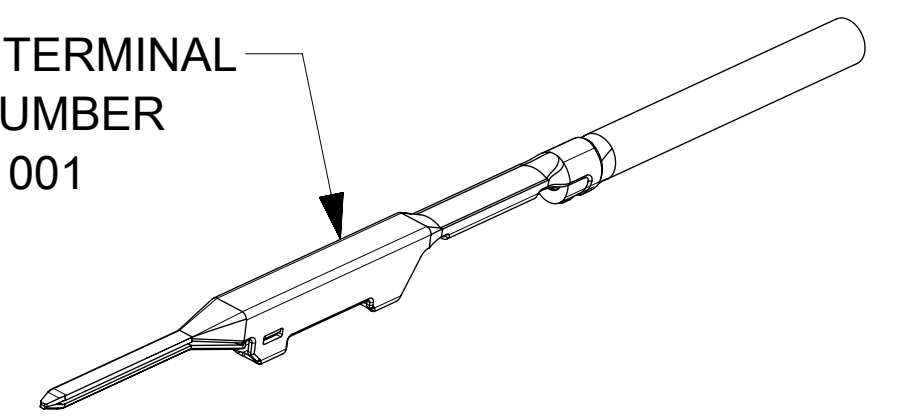
204223****
DDDDYY

SECTION A-A

NOTES:

1. MATERIAL:
HOUSING & REAR SEAL CAP: NYLON, UL94V-0, BLACK
SEALS: INHERENTLY LUBRICATED SILICONE
2. FINISH: NONE
3. PRODUCT SPECIFICATION: 2042200000-PS
4. APPLICATION SPECIFICATION: 2042200000-AS
5. PACKAGING SPECIFICATION: 2042230000-PK
6. THIS PART MATES WITH RECEPTACLE SERIES 204220.
7. THIS PART USES TERMINAL PART NUMBER 2042261001.
8. THIS PART CONFORMS TO CLASS 'C' REQUIREMENTS
OF COSMETIC SPECIFICATION PS-45499-002.

MOLEX TERMINAL
PART NUMBER
2042261001



CKT 1 ID

CKT SIZE	MATERIAL NUMBER	VOID IN CKT	DIM A
2	204223-0002	NONE	11.7
4	204223-0004	NONE	15.3
6	204223-0006	NONE	18.9
8	204223-0008	NONE	22.5
10	204223-0010	NONE	26.1
4	204223-4004	4	15.3
6	204223-6006	6	18.9
8	204223-8008	8	22.5
10	204223-1110	10	26.1

SYMBOLS	THIS DRAWING CONTAINS INFORMATION THAT IS PROPRIETARY TO MOLEX ELECTRONIC TECHNOLOGIES, LLC AND SHOULD NOT BE USED WITHOUT WRITTEN PERMISSION		CURRENT REV DESC: ADD 10.5 REF	
	DIMENSION UNITS	SCALE		
▽ = 0	mm	6:1		
▽ = 0	GENERAL TOLERANCES (UNLESS SPECIFIED)			
▽ = 0	ANGULAR TOL	± °		
▽ = 0	4 PLACES	±		
▽ = 0	3 PLACES	±		
▽ = 0	2 PLACES	±		
▽ = 0	1 PLACE	± 0.2		
▽ = 0	0 PLACES	±		
■ = 0	DRAFT WHERE APPLICABLE MUST REMAIN WITHIN DIMENSIONS	THIRD ANGLE PROJECTION	DRAWING	SERIES
▽ = 0			D-SIZE	204223
			MATERIAL NUMBER	CUSTOMER
			SEE CHART	GENERAL MARKET
DOCUMENT NUMBER		DOC TYPE	DOC PART	REVISION
2042230000-SD		PSD	000	A4
EC NO: 177467		PLUG ASSEMBLY SQUBA 1.8		
DRWN: KSAMIEC 2018/05/30		PRODUCT CUSTOMER DRAWING		
CHK'D: FSMITH 2018/06/01				
APPR: FSMITH 2018/06/01				
INITIAL REVISION:				
DRWN: TGREGORI 2017/05/03				
APPR: RHODGE 2018/01/26				
SHEET NUMBER		1 OF 1		