



On when
it counts.



Application

- Safety applications
- Instrument panels
- Vending, gaming
- Display lighting
- Transportation - rail, bus, airline

...and many more!

Certifications & Ratings

- UL1598: wire leads - UL listed; terminals - UL recognized
- NEMA 4X
- IP66/67
- RoHS compliant - w/6C exemption

Features & Benefits

- Long life - typically 100K hours
- Daylight viewable
- Tamper proof / designed for high durability
- Available in Red, Green, Yellow, Blue, White, R/G, and Y/G
- Low profile flat
- Wide angle domed

Mechanical Information:

| | |
|----------------------|-----------------|
| Mounting hole size: | 0.50" (12.7mm) |
| Max panel thickness: | 0.45" (11.43mm) |
| Mounting torque: | 5 in-lbs torque |

Electrical Specifications:

| | |
|------------------------|---|
| Operating voltage: | 5 to 125V DC and 125, 230 VDC (Bi-color - 5, 12, and 24V DC) - No resistor required |
| Operating temperature: | -22°F to +185°F (-30°C to +85°C) |
| Storage temperature: | -40°F to +212°F (-40°C to +100°C) |
| Electrical connection: | Quick connect terminals or 6" wire leads |

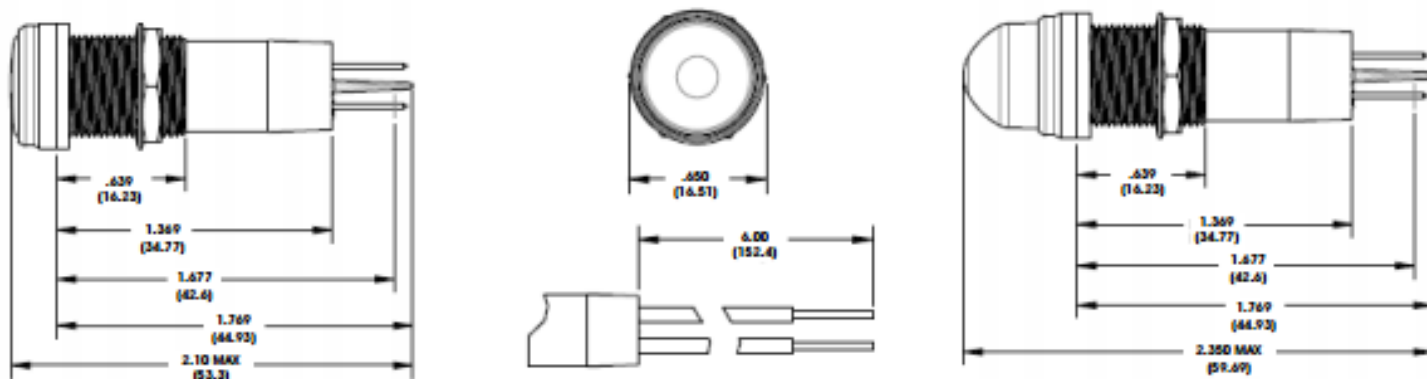
Construction:

| | |
|----------------|--------------------------------------|
| Housing: | White nickel plated brass |
| Lens material: | Transparent polycarbonate (UL 94V-0) |
| Terminals: | Tin over brass |
| Wire leads: | 18 AWG |
| Lock washer: | White nickel plated bronze |
| Nut: | White nickel plated brass |

All values typical unless otherwise stated



Panel Mount Indicator Dimensions



Dimensions are in inches [mm]

| PART NUMBER* | LENS STYLE | COLOR | VOLTAGE | VOLTAGE TYPE | TYP CURRENT (mA) | TYPICAL INTENSITY (mcd) |
|---------------|------------|--------|---------|--------------|------------------|-------------------------|
| 656-1002-303F | FLAT | WHITE | 5 | V DC | 15 | 1510 |
| 656-1102-303F | FLAT | RED | 5 | V DC | 16 | 1150 |
| 656-1202-303F | FLAT | GREEN | 5 | V DC | 15 | 1600 |
| 656-1302-303F | FLAT | YELLOW | 5 | V DC | 16 | 990 |
| 656-1402-303F | FLAT | BLUE | 5 | V DC | 15 | 237 |
| 656-1003-303F | FLAT | WHITE | 12 | V DC | 18 | 1310 |
| 656-1103-303F | FLAT | RED | 12 | V DC | 18 | 1100 |
| 656-1203-303F | FLAT | GREEN | 12 | V DC | 16 | 1140 |
| 656-1303-303F | FLAT | YELLOW | 12 | V DC | 18 | 880 |
| 656-1403-303F | FLAT | BLUE | 12 | V DC | 16 | 290 |
| 656-1004-303F | FLAT | WHITE | 24 | V DC | 20 | 1310 |
| 656-1104-303F | FLAT | RED | 24 | V DC | 20 | 1100 |
| 656-1204-303F | FLAT | GREEN | 24 | V DC | 20 | 1140 |
| 656-1304-303F | FLAT | YELLOW | 24 | V DC | 20 | 880 |
| 656-1404-303F | FLAT | BLUE | 24 | V DC | 20 | 290 |
| 656-1006-303F | FLAT | WHITE | 28 | V DC | 19 | 1310 |
| 656-1106-303F | FLAT | RED | 28 | V DC | 19 | 1100 |
| 656-1206-303F | FLAT | GREEN | 28 | V DC | 18 | 1140 |
| 656-1306-303F | FLAT | YELLOW | 28 | V DC | 19 | 880 |
| 656-1406-303F | FLAT | BLUE | 28 | V DC | 18 | 290 |
| 656-1008-303F | FLAT | WHITE | 37.5 | V DC | 8.5 | 400 |
| 656-1108-303F | FLAT | RED | 37.5 | V DC | 8.5 | 230 |
| 656-1208-303F | FLAT | GREEN | 37.5 | V DC | 8.5 | 450 |
| 656-1308-303F | FLAT | YELLOW | 37.5 | V DC | 8.5 | 190 |
| 656-1408-303F | FLAT | BLUE | 37.5 | V DC | 8.5 | 100 |

| PART NUMBER* | LENS STYLE | COLOR | VOLTAGE | VOLTAGE TYPE | TYP CURRENT (mA) | TYPICAL INTENSITY (mcd) |
|---------------|------------|--------------|---------|--------------|------------------|-------------------------|
| 656-1007-303F | FLAT | WHITE | 72 | V DC | 8.5 | 400 |
| 656-1107-303F | FLAT | RED | 72 | V DC | 8.5 | 230 |
| 656-1207-303F | FLAT | GREEN | 72 | V DC | 8.5 | 450 |
| 656-1307-303F | FLAT | YELLOW | 72 | V DC | 8.5 | 190 |
| 656-1407-303F | FLAT | BLUE | 72 | V DC | 8.5 | 100 |
| 656-1005-303F | FLAT | WHITE | 120 | V AC/DC | 5 | 400 |
| 656-1105-303F | FLAT | RED | 120 | V AC/DC | 5 | 230 |
| 656-1205-303F | FLAT | GREEN | 120 | V AC/DC | 5 | 450 |
| 656-1305-303F | FLAT | YELLOW | 120 | V AC/DC | 5 | 190 |
| 656-1405-303F | FLAT | BLUE | 120 | V AC/DC | 5 | 100 |
| 656-1009-303F | FLAT | WHITE | 230 | V AC | 3 | 400 |
| 656-1109-303F | FLAT | RED | 230 | V AC | 3 | 230 |
| 656-1209-303F | FLAT | GREEN | 230 | V AC | 3 | 450 |
| 656-1309-303F | FLAT | YELLOW | 230 | V AC | 3 | 190 |
| 656-1409-303F | FLAT | BLUE | 230 | V AC | 3 | 100 |
| 656-1122-303F | FLAT | RED/GREEN | 5 | V DC | 11/8 | 330/910 |
| 656-1322-303F | FLAT | YELLOW/GREEN | 5 | V DC | 11/8 | 320/864 |
| 656-1123-303F | FLAT | RED/GREEN | 12 | V DC | 10/9 | 330/910 |
| 656-1323-303F | FLAT | YELLOW/GREEN | 12 | V DC | 10/9 | 320/864 |
| 656-1124-303F | FLAT | RED/GREEN | 24 | V DC | 11/10 | 330/910 |
| 656-1324-303F | FLAT | YELLOW/GREEN | 24 | V DC | 11/10 | 320/864 |
| 656-3002-303F | DOME | WHITE | 5 | V DC | 15 | 3080 |
| 656-3102-303F | DOME | RED | 5 | V DC | 16 | 2200 |
| 656-3202-303F | DOME | GREEN | 5 | V DC | 15 | 2880 |
| 656-3302-303F | DOME | YELLOW | 5 | V DC | 16 | 1960 |
| 656-3402-303F | DOME | BLUE | 5 | V DC | 15 | 600 |
| 656-3003-303F | DOME | WHITE | 12 | V DC | 18 | 2340 |
| 656-3103-303F | DOME | RED | 12 | V DC | 18 | 2000 |
| 656-3203-303F | DOME | GREEN | 12 | V DC | 16 | 2110 |
| 656-3303-303F | DOME | YELLOW | 12 | V DC | 18 | 1080 |
| 656-3403-303F | DOME | BLUE | 12 | V DC | 16 | 640 |
| 656-3004-303F | DOME | WHITE | 24 | V DC | 20 | 2340 |
| 656-3104-303F | DOME | RED | 24 | V DC | 20 | 2000 |
| 656-3204-303F | DOME | GREEN | 24 | V DC | 20 | 2110 |
| 656-3304-303F | DOME | YELLOW | 24 | V DC | 20 | 1080 |
| 656-3404-303F | DOME | BLUE | 24 | V DC | 20 | 640 |
| 656-3006-303F | DOME | WHITE | 28 | V DC | 19 | 2340 |
| 656-3106-303F | DOME | RED | 28 | V DC | 19 | 2000 |
| 656-3206-303F | DOME | GREEN | 28 | V DC | 18 | 2110 |
| 656-3306-303F | DOME | YELLOW | 28 | V DC | 19 | 1080 |
| 656-3406-303F | DOME | BLUE | 28 | V DC | 18 | 640 |

| PART NUMBER* | LENS STYLE | COLOR | VOLTAGE | VOLTAGE TYPE | TYP CURRENT (mA) | TYPICAL INTENSITY (mcd) |
|---------------|------------|--------------|---------|--------------|------------------|-------------------------|
| 656-3008-303F | DOME | WHITE | 37.5 | V DC | 8.5 | 660 |
| 656-3108-303F | DOME | RED | 37.5 | V DC | 8.5 | 410 |
| 656-3208-303F | DOME | GREEN | 37.5 | V DC | 8.5 | 800 |
| 656-3308-303F | DOME | YELLOW | 37.5 | V DC | 8.5 | 390 |
| 656-3408-303F | DOME | BLUE | 37.5 | V DC | 8.5 | 220 |
| 656-3007-303F | DOME | WHITE | 72 | V DC | 8.5 | 660 |
| 656-3107-303F | DOME | RED | 72 | V DC | 8.5 | 410 |
| 656-3207-303F | DOME | GREEN | 72 | V DC | 8.5 | 800 |
| 656-3307-303F | DOME | YELLOW | 72 | V DC | 8.5 | 390 |
| 656-3407-303F | DOME | BLUE | 72 | V DC | 8.5 | 220 |
| 656-3005-303F | DOME | WHITE | 120 | V AC/DC | 5 | 660 |
| 656-3105-303F | DOME | RED | 120 | V AC/DC | 5 | 410 |
| 656-3205-303F | DOME | GREEN | 120 | V AC/DC | 5 | 800 |
| 656-3305-303F | DOME | YELLOW | 120 | V AC/DC | 5 | 390 |
| 656-3405-303F | DOME | BLUE | 120 | V AC/DC | 5 | 220 |
| 656-3009-303F | DOME | WHITE | 230 | V AC | 2 | 660 |
| 656-3109-303F | DOME | RED | 230 | V AC | 3 | 410 |
| 656-3209-303F | DOME | GREEN | 230 | V AC | 3 | 800 |
| 656-3309-303F | DOME | YELLOW | 230 | V AC | 3 | 390 |
| 656-3409-303F | DOME | BLUE | 230 | V AC | 3 | 220 |
| 656-3122-303F | DOME | RED/GREEN | 5 | V DC | 11/8 | 490/1340 |
| 656-3322-303F | DOME | YELLOW/GREEN | 5 | V DC | 11/8 | 480/430 |
| 656-3123-303F | DOME | RED/GREEN | 12 | V DC | 10/9 | 490/1340 |
| 656-3323-303F | DOME | YELLOW/GREEN | 12 | V DC | 10/9 | 480/430 |
| 656-3124-303F | DOME | RED/GREEN | 24 | V DC | 11/10 | 490/1340 |
| 656-3324-303F | DOME | YELLOW/GREEN | 24 | V DC | 11/10 | 480/430 |

*For blade terminals: replace the 10th digit with "4". For example: 656-1103-304F