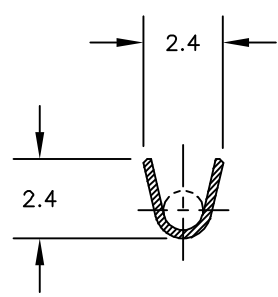
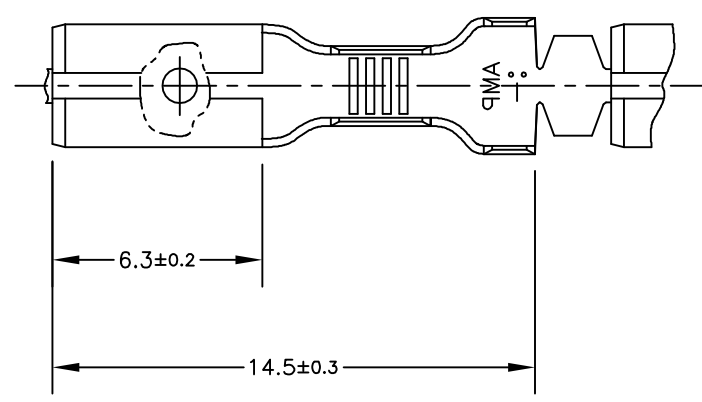
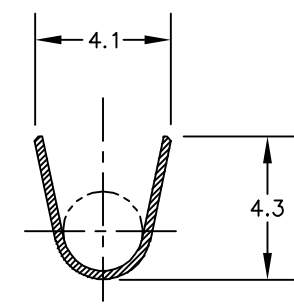


THIS DRAWING IS UNPUBLISHED. RELEASED FOR PUBLICATION  
 © COPYRIGHT - By - ALL RIGHTS RESERVED.

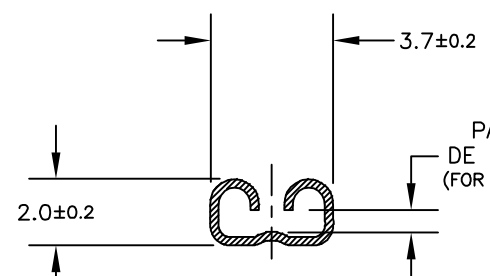
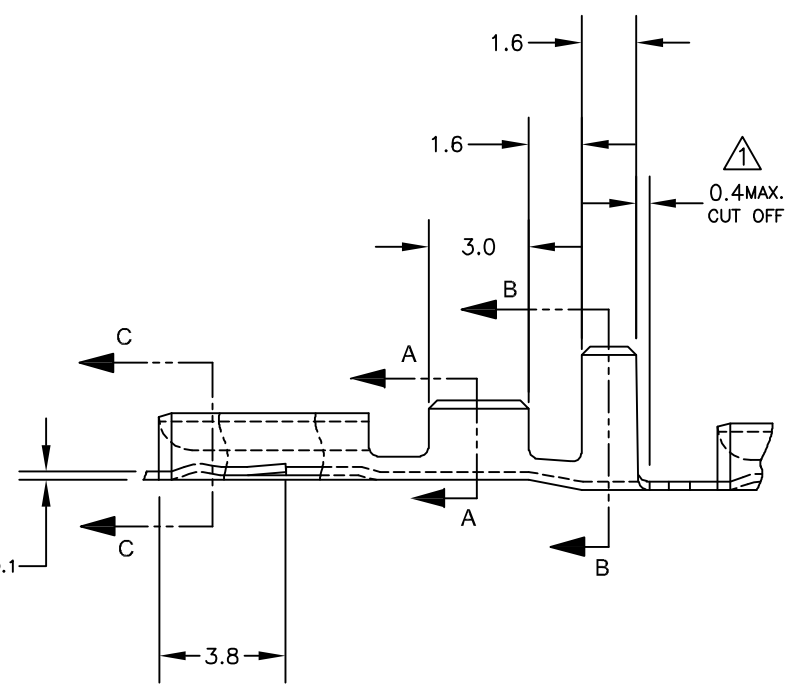
LOC	DIST	REVISIONS					
AP	-	P	LTR LT	DESCRIPTION	DATE	DWN DES	APVD APR
		DESCRIGCO			DATA	DES	APR
		E		REVISED BY ECLB080/02	07MAY02	AP	PLF
		E1		REVISED PER ECO-10-000445	12JUN10	KK	AEG
		E2		REVISED BY ECO-12-020561	22NOV12	PP	DAO



SECTION A-A



SECTION B-B



SECTION C-C

▲ - PEÇA SOLTA. ▲ - LOOSE PIECE.  
 ▲ - OBSOLETE PARTS: OBSOLETE CIS STREAMLINING PER D.RENAUD/D.SINISI

OBSOLETE	FINISH	MATERIAL	PART NUMBER
	2	ESTANHADO / TIN PLATED	BRONZE FOSF. / PHOSP. BRONZE
---		BRONZE FOSF. / PHOSP. BRONZE	881607-7 ▲
ESTANHADO / TIN PLATED		LATÃO / BRASS	881607-6 ▲
---		LATÃO / BRASS	881607-5 ▲
PRATEADO / SILVER PLATED		LATÃO / BRASS	881607-4
---		BRONZE FOSF. / PHOSP. BRONZE	881607-3
ESTANHADO / TIN PLATED		LATÃO / BRASS	881607-2
---		LATÃO / BRASS	881607-1

INS. RANGE 2,0 - 2,7 mm	WIRE RANGE 0,5 - 1,0 mm <sup>2</sup>
-------------------------------	--

THIS DRAWING IS A CONTROLLED DOCUMENT.

DIMENSIONS: DIMENSÕES mm	TOLERANCES UNLESS OTHERWISE SPECIFIED: TOLERÂNCIA NCO ESPECIFICADAS
	0 PLC/DEC ± - 1 PLC/DEC ± 0,3 2 PLC/DEC ± - 3 PLC/DEC ± - 4 PLC/DEC ± - ANGLES/ANGULARES ± 1°

MATERIAL SEE TABLE	FINISH ACABAMENTO SEE TABLE
-----------------------	-----------------------------------

DWN/DES A.PERUSSI 07MAY2002	TE Connectivity .110 SERIES FASTON RECEPTACLE			
CHK/CH P.L.FARIA 07MAY2002				
APVD/APR L.W.PRADO 07MAY2002				
NAME DESRIÇCO				
PRODUCT SPEC 108-37014	SIZE A3	CAGE CODE 00779	DRAWING NO DESENHO NO C-881607	RESTRICTED TO -/-
APPLICATION SPEC 114-2036				
WEIGHT -/-	SCALE ESCALA 5:1	SHEET FOLHA 1 DE 1	REV E2	

DO NOT REVISE EXCEPT BY CAD