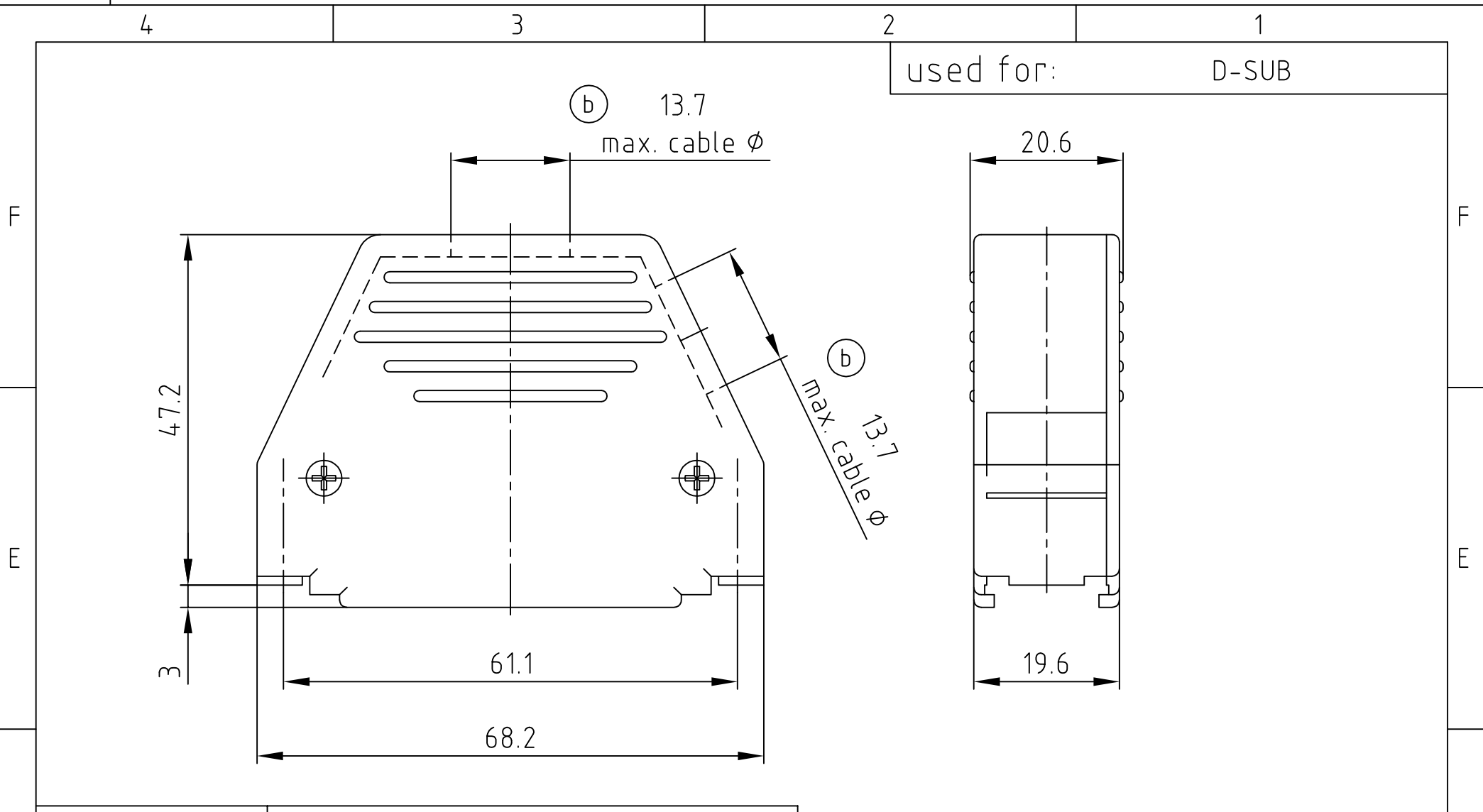
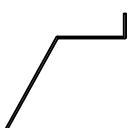
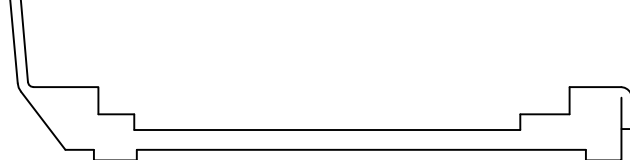
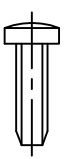
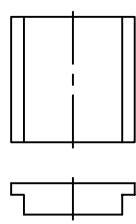




used for: D-SUB



 1 x SPRING	 1 x SLIDE LOCK
 2 x SCREW	 1 x BLIND PLUG

APPROVAL # FREIGABE # DEBLOCAGE # AUTOR/ZACION # APPROVAL	
CUSTOMER APPROVAL DATE:	
NAME:	TITLE:
COMPANY NAME:	
APPROVAL # FREIGABE # DEBLOCAGE # AUTOR/ZACION # APPROVAL	

MATERIAL:
 HOOD: ABS UL 94 V-0; METALLIZED
 SPRING: STEEL; TIN PLATED
 SLIDE LOCK: STEEL; NICKEL PLATED
 SCREWS: STEEL; NICKEL PLATED
 BLIND PLUG: ABS UL 94 V-0; METALLIZED

THIS DRAWING MAY NOT BE COPIED OR REPRODUCED IN ANY WAY, AND MAY NOT BE PASSED ON TO A THIRD PARTY WITHOUT WRITTEN PERMISSION. OWNERSHIP AND COPYRIGHT OF CONEC GmbH DO NOT ALTER CAD DRAWING BY HAND				tolerance	 dim. in mm
	2005	date	name		
	drawn	24.06.	Lehmenkühler		
	appd.	24.06.	Fischer		
	norm				
	d-old				
	2 x b	Ä 2620	05.12.2006	ES	
rev.	description	date	name		

scale:	1:1
material:	SEE NOTES
title:	PLASTIC HOOD 50pos. with slide lock and spring
dwg no:	AutoCAD 2004
	DIN-A
	4
	sh: 1/1
part no:	165X16569X