

1

2

3

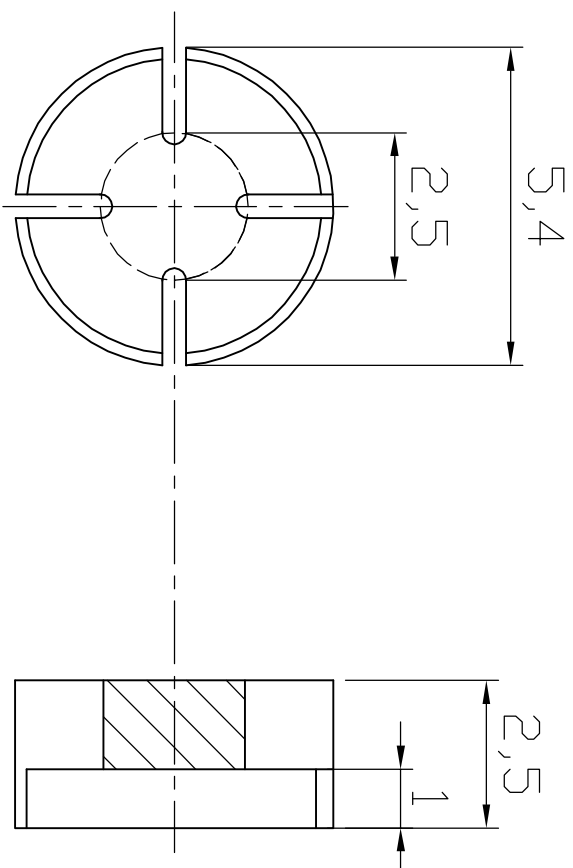
4

5

6

7

RoHS compliant



RoHS compliant
Unit:mm

Material : POLYPROPYLEN

Scale	free						Customer-No.	
TOLERANCE								
X.	±X				Drawn	Date	Name	
X.X	±X				20.08.2009		Dean	
X.XX	±X				Approved	31.05.2011	Andy	
DIM	TOL	③	Material add.	31.05.2011	Schulz			ASSMANN WSW-No. V/4548
X.°	±X°	②	Modify drawing layout	10.03.2010	Alex			Drawing-No. ASS 0923 HS
X.X°	±X°	①	Drawn	20.08.2009	Dean			rev03
Angle	TOL	Id.	Modification	Date	Name			Sheet

ASSMANN
WSW/ components

Replace

1

2

3

4

5

6

7