

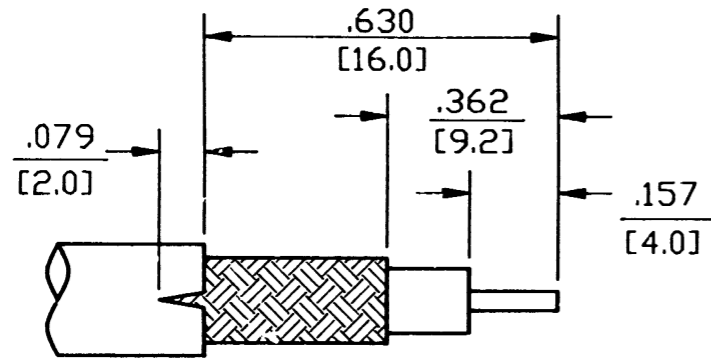
DO NOT SCALE THIS DRAWING

31-245-RFX

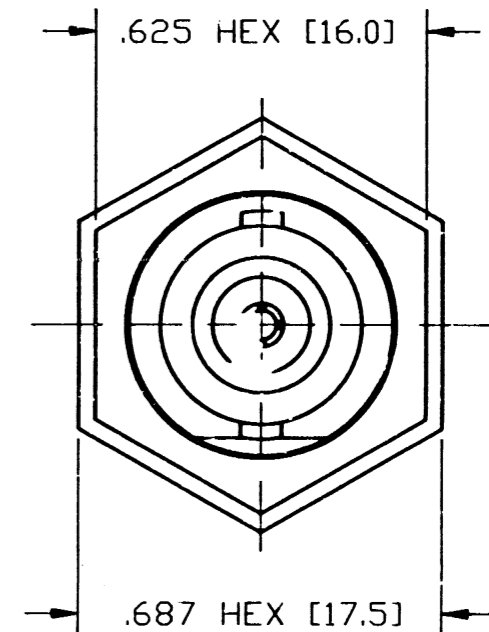
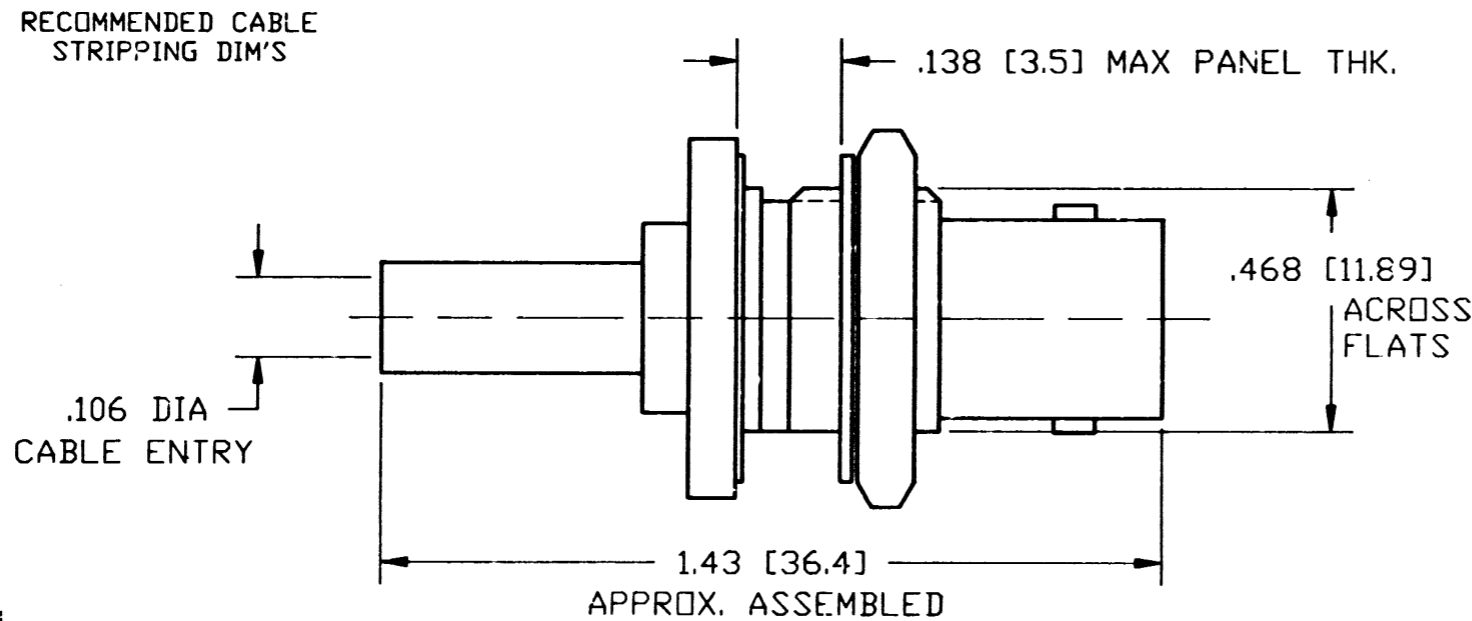
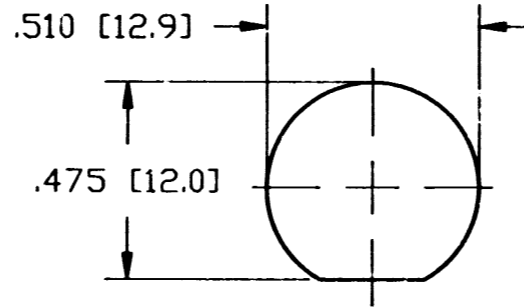
DRAWING NUMBER

REVISIONS

SYM	DESCRIPTION	DATE	E.C.O. NO.	APPR.
A	OFFICIAL ENG. RELEASE TO MFG.	10/2/91	38063	DR



RECOMMENDED CABLE STRIPPING DIM'S



NOTES:

1. BRASS BODY, NICKEL PLATED.
2. DELRIN INSULATOR.
3. GOLD PLATED, PHOSPHOR BRONZE CONTACT, .000003.
4. PACKAGE IN BAG 999-311.
5. USE AMPHENOL CRIMP TOOL #CTL-2
6. NON-CAPTIVATED CONTACT, .016 WIRE ENTRY.
7. 3 PC. (BODY, FERRULE, CONTACT).

H:\DEPT611\BNC\031\ASSY\245RFX

ENGLISH [METRIC]

PART NO.	QUAN	UOM	ITEM NO.	DESCRIPTION	CODE	FINISH
----------	------	-----	----------	-------------	------	--------

LIST OF MATERIAL

REMOVE ALL BURRS, BREAK CORNERS AND SHARP EDGES .005 MAXIMUM UNLESS OTHERWISE SPECIFIED.

NEXT ASSY	USED ON
MATERIAL	
SPECIFICATION	
FINISH	

UNLESS OTHERWISE SPECIFIED DIMENSIONS ARE IN INCHES. TOLERANCES NOT OTHERWISE SPECIFIED ARE:
 2 PLACE DECIMAL ± .015 (0,381 mm)
 3 PLACE DECIMAL ± .005 (0,127 mm)
 ANGLES ± 1°

REFERENCE DRAWING NO
EAR 962370

DRAWN BY TERRI ALBERA	DATE 4-22-91
CHECKED <i>[Signature]</i>	DATE 5-13-91
ENGINEER <i>[Signature]</i>	DATE 5-13-91
QUALITY ASSURANCE <i>[Signature]</i>	DATE 7-10-91
MFG ENG H. FREDLUND	DATE 7/10/91

TITLE
BNC CRIMP CRIMP PANEL JACK FOR RG-179, 187 CABLE 50 OHM

Amphenol Corporation
RF/Microwave Operations
Danbury, Conn. U.S.A.

SCALE NTS SHEET OF

CODE IDENTIFICATION 74868	DRAWING SIZE B	DRAWING NO 31-245-RFX	ISSUE A
------------------------------	-------------------	--------------------------	------------