

THIS DRAWING IS UNPUBLISHED.

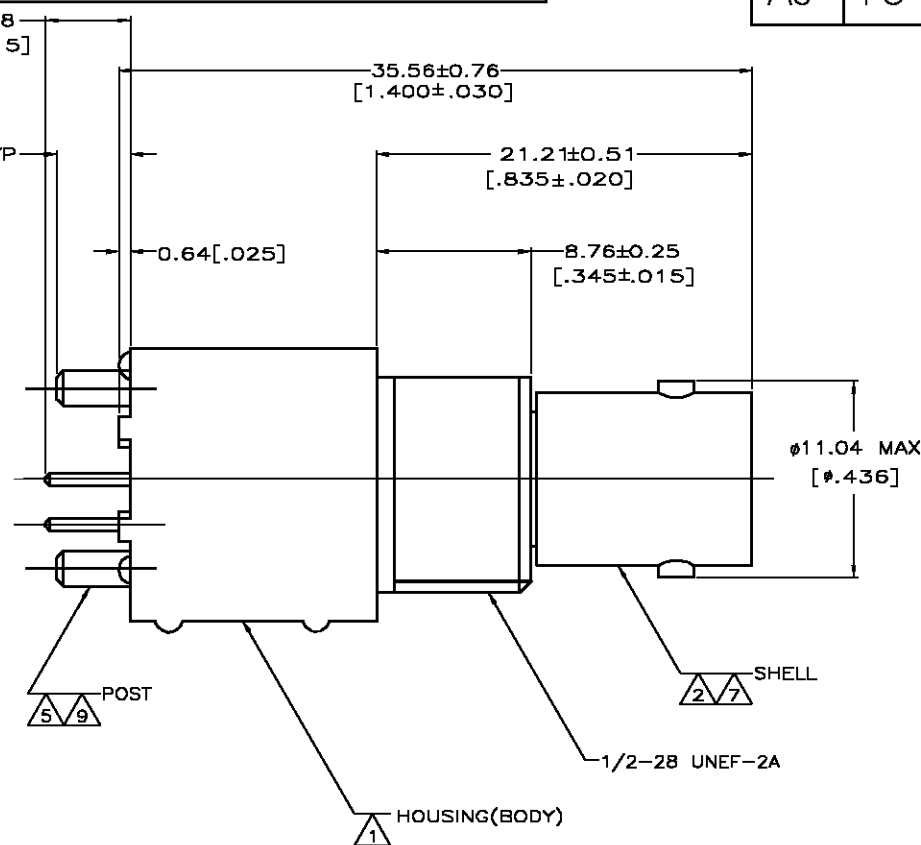
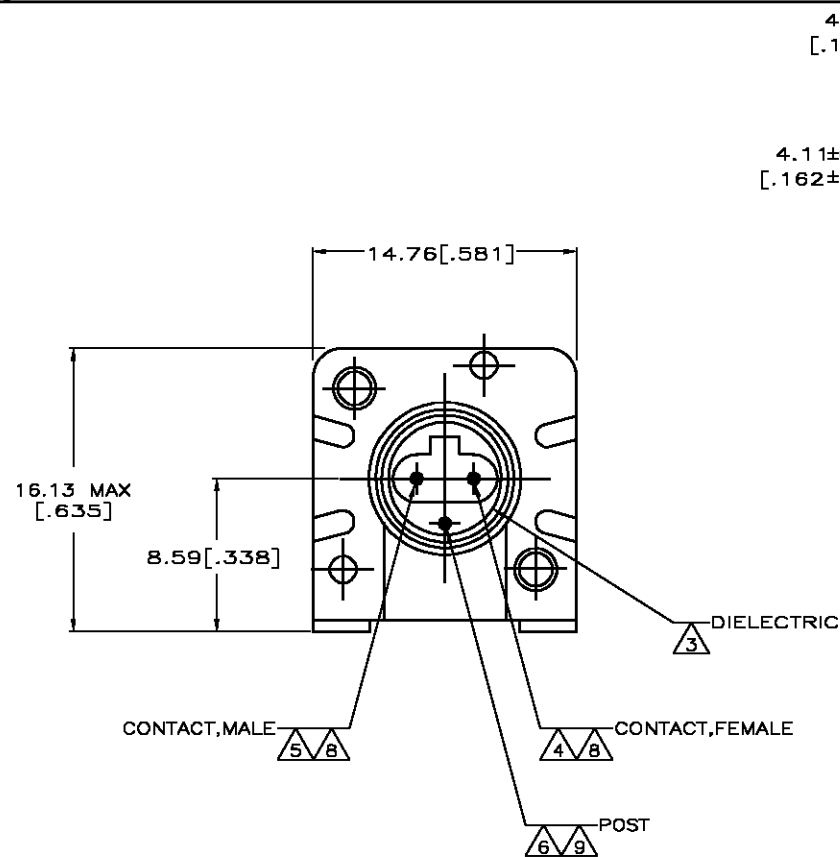
RELEASED FOR PUBLICATION

© COPYRIGHT BY TYCO ELECTRONICS CORPORATION. ALL RIGHTS RESERVED.

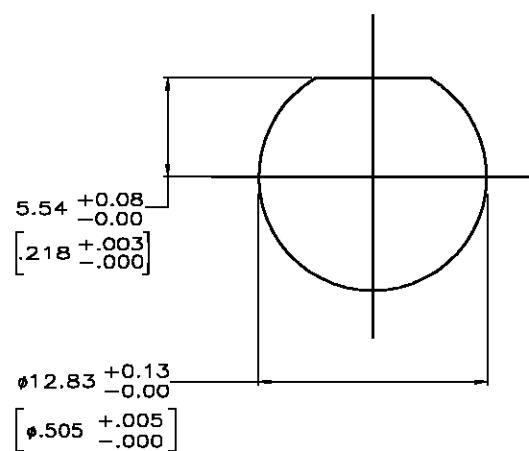
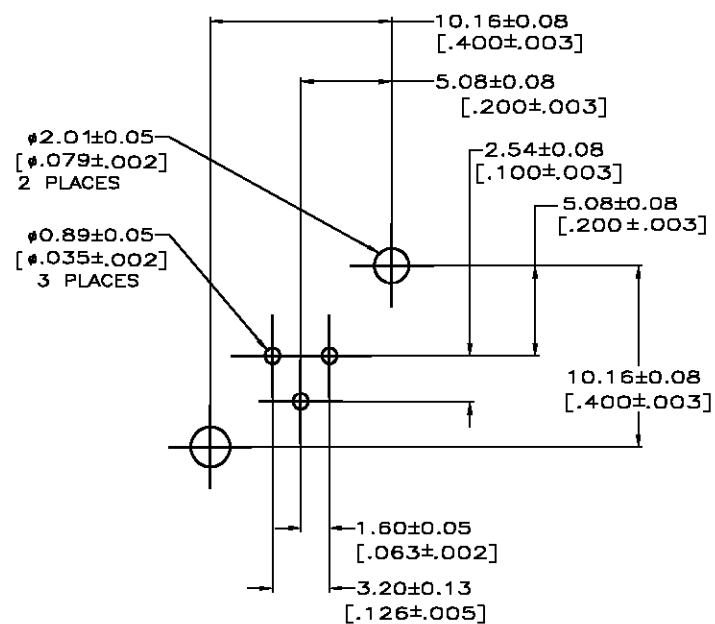
LOC AJ DIST 16

REVISIONS

P	LTR	DESCRIPTION	DATE	DWN	APVD
C		PER EC 0S14-0192.	30NOV04	JGH	JL



- △ POLYESTER, PBT, 15% GLASS FIBER REINFORCED, NATURAL, PER MIL-M-24519.
- △ ZINC PER QQ-Z-363.
- △ POLYMETHYLPENTENE, GENERAL PURPOSE.
- △ PHOSPHOR BRONZE PER QQ-B-750.
- △ BRASS PER QQ-B-626.
- △ BRASS PER ASTM-B-453.
- △ NICKEL PL PER QQ-N-290, 3.81µm [.000150] MINIMUM THICK
- △ GOLD PL PER MIL-G-45204, 0.76µm [.000030] MINIMUM THICK
- △ TIN PLATE PER ASTM-B-545, 3.81µm [.000150] MINIMUM THICK



RECOMMENDED PANEL CUTOUT

PCB CONFIGURATION

THIS DRAWING IS A CONTROLLED DOCUMENT.

DIMENSIONS: mm

TOLERANCES UNLESS OTHERWISE SPECIFIED:	
0 PLC	± -
1 PLC	± -
2 PLC	± 0.20 [.008]
3 PLC	± -
4 PLC	± -
ANGLES	± -

MATERIAL FINISH



DWN R. E. RUTH 10/22/90

CHK A. GABANY 3-6-91

APVD A. GABANY 3-6-91

PRODUCT SPEC

APPLICATION SPEC

WEIGHT -

CUSTOMER DRAWING

Tyco Electronics Corporation Harrisburg, Pa 17105-3608

JACK, VERTICAL, PCB, SERIES TWIN BNC

SIZE A3 CAGE CODE 00779 DRAWING NO 221198 RESTRICTED TO -

SCALE 5:1 SHEET 1 OF 1 REV C

221198-1 PART NO