



**DS Keyfob  
Transmitter  
Data Guide**

**Wireless made simple<sup>®</sup>**

**Warning:** Some customers may want Linx radio frequency (“RF”) products to control machinery or devices remotely, including machinery or devices that can cause death, bodily injuries, and/or property damage if improperly or inadvertently triggered, particularly in industrial settings or other applications implicating life-safety concerns (“Life and Property Safety Situations”).

**NO OEM LINX REMOTE CONTROL OR FUNCTION MODULE SHOULD EVER BE USED IN LIFE AND PROPERTY SAFETY SITUATIONS.** No OEM Linx Remote Control or Function Module should be modified for Life and Property Safety Situations. Such modification cannot provide sufficient safety and will void the product’s regulatory certification and warranty.

Customers may use our (non-Function) Modules, Antenna and Connectors as part of other systems in Life Safety Situations, but only with necessary and industry appropriate redundancies and in compliance with applicable safety standards, including without limitation, ANSI and NFPA standards. It is solely the responsibility of any Linx customer who uses one or more of these products to incorporate appropriate redundancies and safety standards for the Life and Property Safety Situation application.

**Do not use this or any Linx product to trigger an action directly from the data line or RSSI lines without a protocol or encoder/decoder to validate the data.** Without validation, any signal from another unrelated transmitter in the environment received by the module could inadvertently trigger the action.

**All RF products are susceptible to RF interference that can prevent communication.** RF products without frequency agility or hopping implemented are more subject to interference. This module does not have a frequency hopping protocol built in.

**Do not use any Linx product over the limits in this data guide.** Excessive voltage or extended operation at the maximum voltage could cause product failure. Exceeding the reflow temperature profile could cause product failure which is not immediately evident.

**Do not make any physical or electrical modifications to any Linx product.** This will void the warranty and regulatory and UL certifications and may cause product failure which is not immediately evident.

# Table of Contents

- 1 [Description](#)
- 1 [Features](#)
- 1 [Applications](#)
- 1 [OEM Configurations](#)
- 2 [Ordering Information](#)
- 2 [Electrical Specifications](#)
- 3 [Theory of Operation](#)
- 4 [Setting the Transmitter Address](#)
- 4 [Button Assignments](#)
- 5 [Contention Considerations](#)
- 5 [Battery Replacement](#)
- 5 [Assembly Diagram](#)
- 6 [Compliance Requirements](#)
- 6 [Labeling / Instruction Requirements](#)
- 8 [Typical Applications](#)
- 10 [Resources](#)
- 11 [Notes](#)

# DS Keyfob Transmitter

## Data Guide



### Description

The Linx DS Series Keyfob transmitter is ideal for general-purpose remote control and command applications. It has been pre-certified for FCC Part 15, Industry Canada, and European CE (433MHz only) compliance, reducing development costs and time to market. Available in 418 (standard) or 433.92MHz, this stylish and compact remote has a range of up to 750 feet when combined with an LR or LT Series module and DS Series decoder. The Keyfob can be configured with 1 to 5 buttons and the keypad and labeling can be modified to meet specific customer requirements. Selectable addressing provides security and allows the creation of up to 1,022 distinct transmitter-receiver relationships. The Keyfob is available in black, white, or translucent colors. The transmission can be decoded using an LR or LT Series receiver paired with a DS Series decoder IC or microcontroller. The unit operates from a single 3V CR2032 lithium button cell.

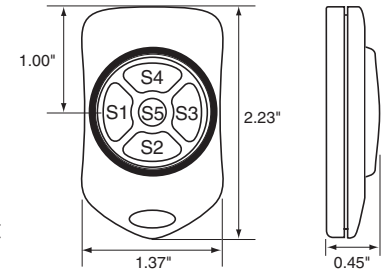


Figure 1: Package Dimensions



Figure 2: Keyfob Button Configurations

### OEM Configurations

With a one-time NRE and minimum order, Linx can configure the keypad and label areas. Contact Linx for details.

### Features

- FCC, IC and CE pre-certified
- Long range
- 1 to 5 buttons
- Compact, stylish package

### Applications

- General remote control
- Keyless entry
- Garage / gate openers
- Lighting control
- Home / industrial automation
- Wire elimination

## Ordering Information

Ordering Information	
Part Number	Description
OTX-***-HH-KF#-DS-xxx	DS Keyfob Transmitter
EVAL-***-HH-KF-DS	DS Keyfob Evaluation Kit

# = Number of Buttons, 1 to 5  
 \*\*\* = 418 (Standard) or 433MHz  
 xxx = Color (Leave blank for standard black)  
 WHT = White  
 CRE = Red  
 CGY = Gray

Figure 3: Ordering Information

## Electrical Specifications

Keyfob Electrical Specifications						
Parameter	Designation	Min.	Typ.	Max.	Units	Notes
Power Supply						
Operating Voltage	$V_{CC}$	2.3	3.0	3.6	VDC	
Supply Current	$I_{CC}$		12.6		mA	
Power-Down Current	$I_{PDN}$		1.5		$\mu$ A	1
Transmitter Section						
Transmit Frequency Range	$F_c$					
OTX-418-HH-KF#-DS			418		MHz	
OTX-433-HH-KF#-DS			433.92		MHz	
Center Frequency Accuracy		-8		+8	kHz	
Data Rate			4,800		bps	
Environmental						
Operating Temperature Range		0		+70	$^{\circ}$ C	1

1. Characterized, but not tested

Figure 4: Electrical Specifications

## Theory of Operation

The DS Series Keyfob Transmitter combines a high-performance synthesized transmitter with an on-board encoder IC to form a highly reliable, yet cost-effective RF remote control transmitter. The transmitter's synthesized architecture delivers outstanding stability and frequency accuracy while minimizing the effects of temperature, antenna port loading and mismatching. This reduces or eliminates frequency pulling, bit contraction, and other negative effects common to SAW-based transmitter architectures, providing a significantly higher level of performance and reliability.

When a button is pressed on the Keyfob, power is applied to the internal circuitry and the encoder IC is enabled. The encoder detects the logic states of the address lines and button data lines. These states are formatted into a data packet. The encoder data is used to modulate the transmitter, which, through the antenna, conveys the data into free space. This continues until the button is released. On the receiver side, a DS Series decoder IC is used to check the transmitter's address bits against the address settings of the receiving device. If a match is confirmed, the decoder's outputs are set to replicate the transmitter's button states. These outputs can then be used to activate external circuitry required by the application.

The transmitter is compatible with the Linx LR Series receiver and LT Series transceiver modules. Ranges of up to 750 feet are possible when the transmitter is combined with the receiver and a good antenna. Applications operating over shorter distances also benefit from the increased link reliability and superior noise immunity provided by the LR and LT Series modules.

The DS Series encoder inside the Keyfob transmitter uses a serial protocol to encode the states of the buttons and addresses. The serial protocol is much more immune to bit edge jitter than pulse width protocols, such as those used by Holtek<sup>®</sup> devices. This gives much better range and performance within that range. This also gives the DS better immunity to noise from motors, switching power supplies, high current drivers and other noise sources. This serial protocol updates the data line states on every packet. This, combined with a faster data rate, give the serial protocol a much faster response time than the Holtek<sup>®</sup> protocol (36.5ms typical compared to 135ms).

## Setting the Transmitter Address

The Keyfob allows the selection of one of 1,022 unique addresses. All keyfobs are supplied set to the same address. The address must be changed to avoid contention with other units or to create unique relationships. This is accomplished by cutting the address traces. The traces are accessed by removing the rear cover.

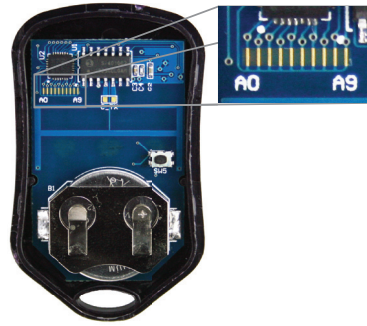


Figure 5: Address Traces

If the trace is intact, the address line is connected to ground, otherwise it is pulled high. The receiver's address must match exactly in order for the units to communicate. Application Note AN-00300 describes in detail how to set the address to match any of the receivers offered by Linx. This note can be found in the Support section of the Linx website, [www.linxtechnologies.com](http://www.linxtechnologies.com).

**Note:** Leaving all of the traces intact (default as shipped) or all cut are not valid addresses. At least one trace must be different from the rest.

## Button Assignments

The Keyfob is available in five button configurations. Those configurations and the corresponding switch numbers are shown in Figure 6. The table shows which encoder data line has been assigned to each switch. When a button is pressed, the data line goes high, causing the corresponding data line on the decoder to go high if the address has been learned.

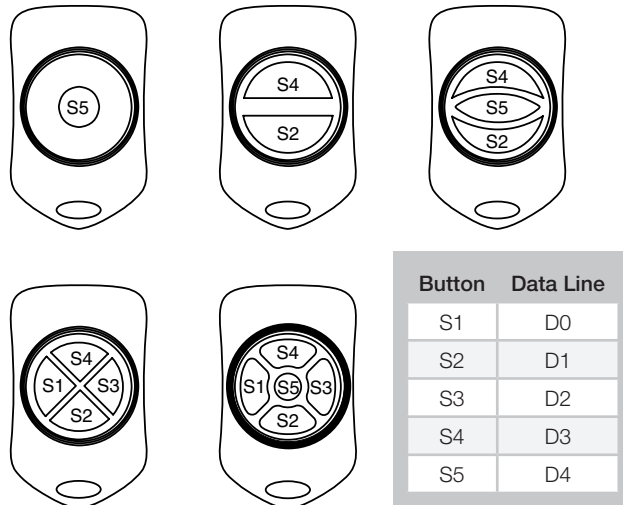


Figure 6: OTX-\*\*\*-HH-KF#-DS Button Assignments

## Contention Considerations

It is important to understand that only one transmitter at a time can be activated within a reception area. While the transmitted signal consists of encoded digital data, only one carrier of any particular frequency can occupy airspace without contention at any given time. If two transmitters are activated in the same area at the same time, then the signals will interfere with each other and the decoder will not see a valid transmission, so it will not take any action.

## Battery Replacement

The transmitter utilizes a standard CR2032 lithium button cell. In normal use, it provides several years of operation. Access for replacement is accomplished by gently prying apart the two halves of the Keyfob at the seam (fingernails or a coin will do). Once the unit is open, remove the battery by sliding it out from beneath the retainer.



Figure 7: Battery Access

There may be the risk of explosion if the battery is replaced by the wrong type. Replace it with the same type of battery while observing the polarity shown in Figure 7.

## Assembly Diagram

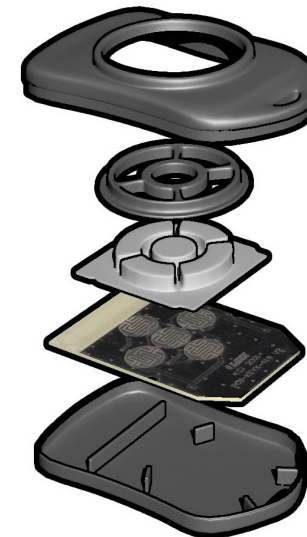


Figure 8: OTX-\*\*\*-HH-KF#-DS Assembly

## Labeling / Instruction Requirements

The transmitter has been pre-certified for FCC Part 15 and Industry Canada license-exempt RSS standards for an intentional radiator. The 433.92MHz version has also been tested for CE compliance for use in the European Union. The 418MHz version is not legal for use in Europe. It has already been labeled in accordance with FCC, Industry Canada and CE regulations. No further labeling of the unit is needed; however, it is necessary to include the following Instruction to the User statement in the end product's instruction manual or insert card.

Europe requires that the final product's instruction manual be provided in the end user's native language.



### INSTRUCTION TO THE USER

This device complies with Part 15 of the FCC Rules and Industry Canada license-exempt RSS standard(s). Operation of this device is subject to the following two conditions:

1. This device may not cause harmful interference, and
2. This device must accept any interference received, including interference that may cause undesired operation.

This equipment has been tested and found to comply with the limits for a Class B digital device, pursuant to Part 15 of the FCC Rules. These limits are designed to provide reasonable protection against harmful interference in a residential installation. This equipment generates, uses and can radiate radio frequency energy and, if not installed and used in accordance with the instructions, may cause harmful interference to radio communications. However, there is no guarantee that interference will not occur in a particular installation. If this equipment does cause harmful interference to radio or television reception, which can be determined by turning the equipment off and on, the user is encouraged to try to correct the interference by one or more of the following measures:

- Reorient or relocate the receiving antenna.
- Increase the separation between the equipment and receiver.
- Connect the equipment into an outlet on a circuit different from that to which the receiver is connected.
- Consult the dealer or an experienced radio / TV technician for help.

The user is cautioned that changes and modifications made to the equipment without the approval of manufacturer could void the user's authority to operate this equipment.

Le présent appareil est conforme aux CNR d'Industrie Canada applicables aux appareils radioexempts de licence. L'exploitation est autorisée aux deux conditions suivantes : (1) l'appareil ne doit pas produire de brouillage, et (2) l'utilisateur de l'appareil doit accepter tout brouillage radioélectrique subi, même si le brouillage est susceptible d'en compromettre le fonctionnement.

## Receivers

The signal sent by the Keyfob transmitter can be received by the LR Series receiver module or the LT Series transceiver module. The receiver module is connected directly to the DS Series decoder, which decodes the transmitted signal.

When a button is pressed on the transmitter, a corresponding line on the decoder goes high (as long as the addresses match). This can then be connected to whatever circuitry is required by the application.

Application Note AN-00300 discusses in detail how to set the addresses on all of the units. Data guides for all of the receivers and the DS Series decoder can be found on the Linx website, [www.linxtechnologies.com](http://www.linxtechnologies.com).



Figure 9: Linx Receivers

## Typical Applications

Figure 10 shows a typical schematic using the LR Series receiver and the DS Series decoder.

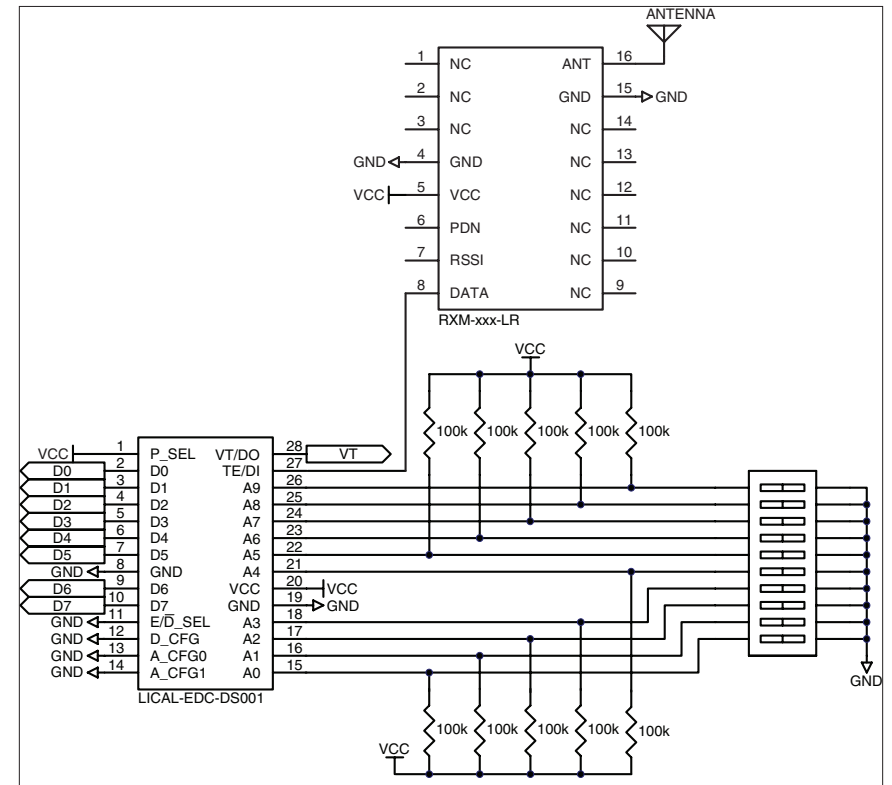


Figure 10: LR Receiver and DS Decoder Schematic

The decoder has ten address lines that must match the transmitter address lines. A DIP switch is commonly used to set these, but they can also be hardwired. As long as the address lines match, when a button on the transmitter is pressed, a corresponding data line on the decoder (D0–D7) goes high. These data lines can then be connected to external circuitry to perform whatever function is required by the application.

## Resources

### Support

For technical support, product documentation, application notes, regulatory guidelines and software updates, visit [www.linstechnologies.com](http://www.linstechnologies.com)

### RF Design Services

For customers who need help implementing Linx modules, Linx offers design services including board layout assistance, programming, certification advice and packaging design. For more complex RF solutions, Apex Wireless, a division of Linx Technologies, creates optimized designs with RF components and firmware selected for the customer's application. Call +1 800 736 6677 (+1 541 471 6256 if outside the United States) for more information.

### Antenna Factor Antennas

Linx's Antenna Factor division has the industry's broadest selection of antennas for a wide variety of applications. For



customers with specialized needs, custom antennas and design services are available along with simulations of antenna performance to speed development. Learn more at [www.linstechnologies.com](http://www.linstechnologies.com).

## Notes





Linx Technologies  
159 Ort Lane  
Merlin, OR, US 97532

Phone: +1 541 471 6256  
Fax: +1 541 471 6251

[www.linxtechnologies.com](http://www.linxtechnologies.com)

#### Disclaimer

---

Linx Technologies is continually striving to improve the quality and function of its products. For this reason, we reserve the right to make changes to our products without notice. The information contained in this Data Guide is believed to be accurate as of the time of publication. Specifications are based on representative lot samples. Values may vary from lot-to-lot and are not guaranteed. "Typical" parameters can and do vary over lots and application. Linx Technologies makes no guarantee, warranty, or representation regarding the suitability of any product for use in any specific application. It is the customer's responsibility to verify the suitability of the part for the intended application. **NO LINX PRODUCT IS INTENDED FOR USE IN ANY APPLICATION WHERE THE SAFETY OF LIFE OR PROPERTY IS AT RISK.**

Linx Technologies **DISCLAIMS ALL WARRANTIES OF MERCHANTABILITY AND FITNESS FOR A PARTICULAR PURPOSE. IN NO EVENT SHALL LINX TECHNOLOGIES BE LIABLE FOR ANY OF CUSTOMER'S INCIDENTAL OR CONSEQUENTIAL DAMAGES ARISING IN ANY WAY FROM ANY DEFECTIVE OR NON-CONFORMING PRODUCTS OR FOR ANY OTHER BREACH OF CONTRACT BY LINX TECHNOLOGIES.** The limitations on Linx Technologies' liability are applicable to any and all claims or theories of recovery asserted by Customer, including, without limitation, breach of contract, breach of warranty, strict liability, or negligence. Customer assumes all liability (including, without limitation, liability for injury to person or property, economic loss, or business interruption) for all claims, including claims from third parties, arising from the use of the Products. The Customer will indemnify, defend, protect, and hold harmless Linx Technologies and its officers, employees, subsidiaries, affiliates, distributors, and representatives from and against all claims, damages, actions, suits, proceedings, demands, assessments, adjustments, costs, and expenses incurred by Linx Technologies as a result of or arising from any Products sold by Linx Technologies to Customer. Under no conditions will Linx Technologies be responsible for losses arising from the use or failure of the device in any application, other than the repair, replacement, or refund limited to the original product purchase price. Devices described in this publication may contain proprietary, patented, or copyrighted techniques, components, or materials. Under no circumstances shall any user be conveyed any license or right to the use or ownership of such items.

---

©2014 Linx Technologies. All rights reserved.

The stylized Linx logo, Wireless Made Simple, WISE, CipherLinx and the stylized CL logo are trademarks of Linx Technologies.