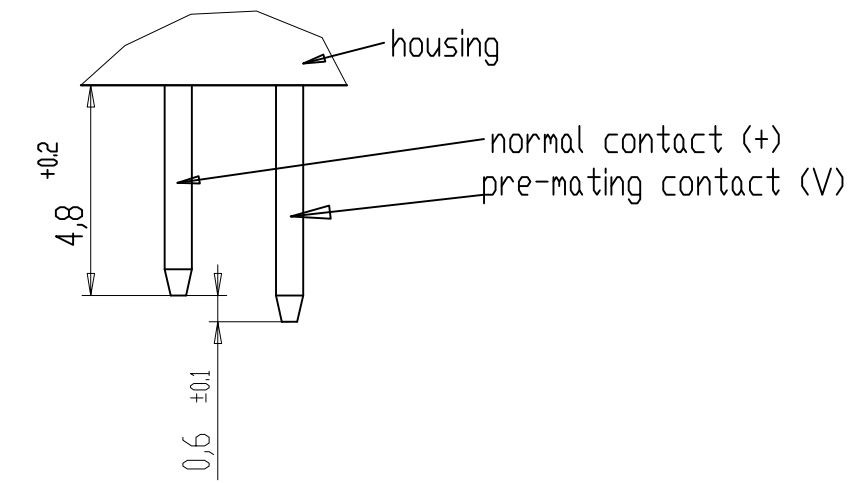


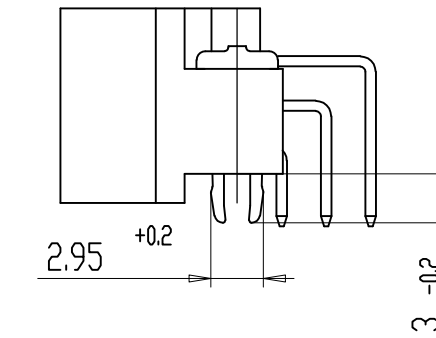
THIS DRAWING IS UNPUBLISHED. RELEASED FOR PUBLICATION  
 © COPYRIGHT - By - ALL RIGHTS RESERVED.

REVISIONS				
P	LTR	DESCRIPTION	DATE	APVD
C		REVISED PER ECO-17-002173	20FEB2017	SY SY

Contact lengths (5:1)



Dimensioning for mounting clips (2:1)



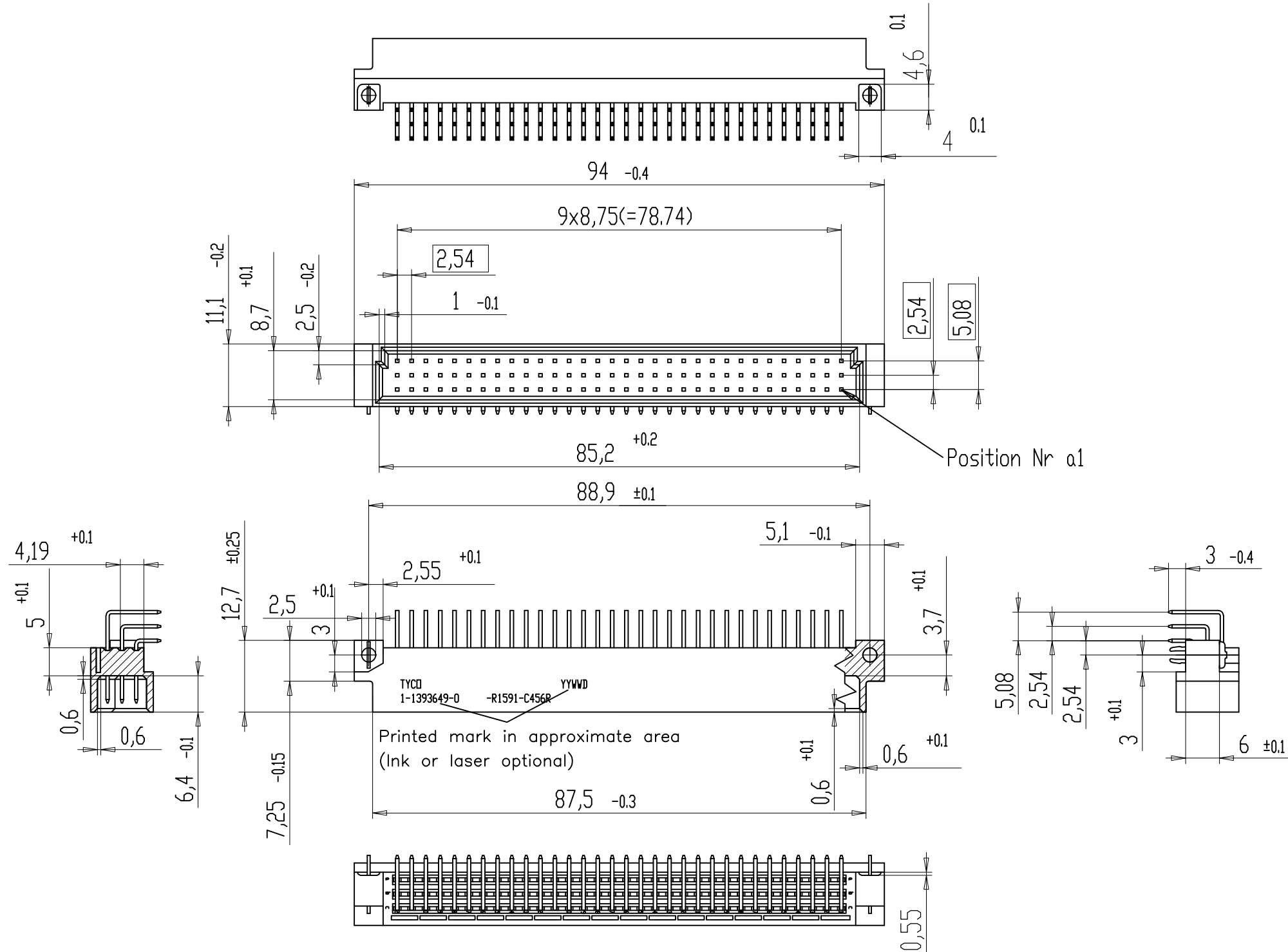
all dimensions are in mm  
 Contact assignment (96 pins)

	1	2	3	1	2	3	1	2	3	1	2	3	1	2	3	
Row A:	V	+	+	+	+	+	+	+	+	+	+	+	+	+	+	V
Row B:	+	+	+	+	+	+	+	+	+	+	+	+	+	+	+	+
Row C:	V	+	+	+	+	+	+	+	+	+	+	+	+	+	+	V

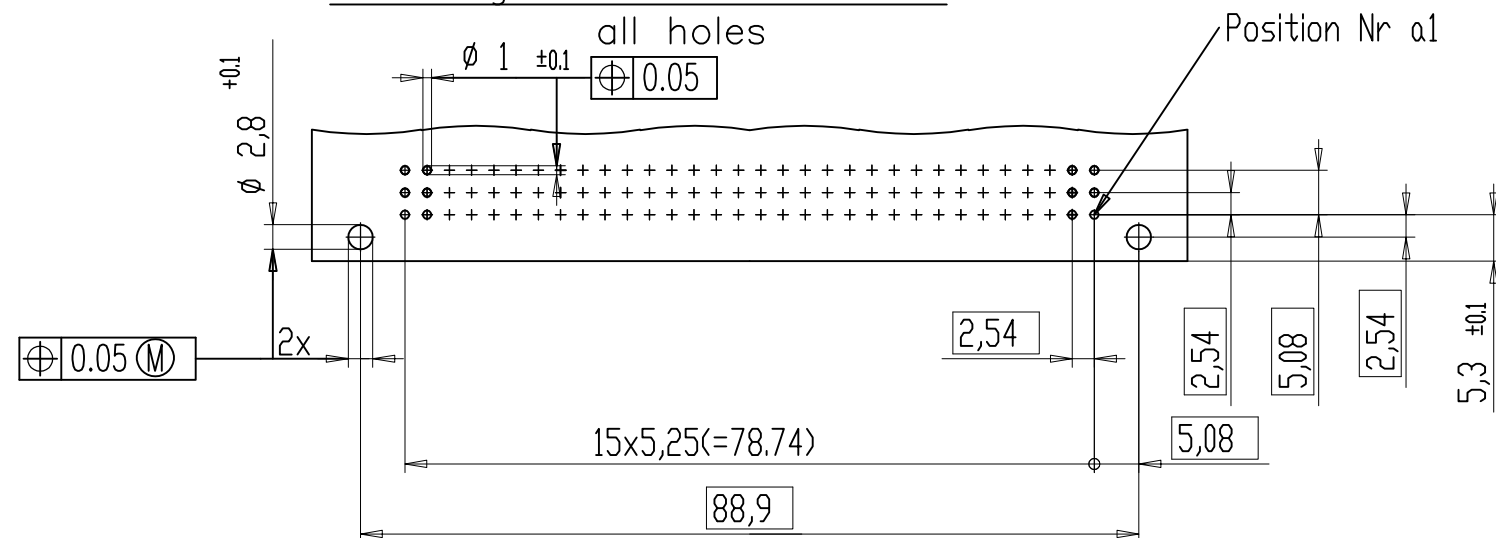
+ = normal contact  
 V = pre-mating contact

Acc to DIN EN 60603-2 performance level 2  
 Housing material: PCT 30% glassfilled (UL94V-0), black  
 deflection Temp. acc to ISO 75 method A(1.82 MPa) : 247°C  
 Contact material: Copper alloy  
 Plating : - contact area: gold  
 - termination: Sn

V42254-R1591-C456R	1-1393649-0
Prod. Descr. Code	TE PN



Mounting holes in PCB



THIS DRAWING IS A CONTROLLED DOCUMENT.		DWN	23AUG1999	TE Connectivity	
DIMENSIONS: mm		CHK	CUVELIER	NAME	
TOLERANCES UNLESS OTHERWISE SPECIFIED:		APVD	-	PC612 MALE TYPE c	
0 PLC ± -		PRODUCT SPEC	-	SIZE	CAGE CODE
1 PLC ± -		APPLICATION SPEC	-	A2	00779
2 PLC ± -				DRAWING NO	RESTRICTED TO
3 PLC ± -				C=1-1393649-0	-
4 PLC ± -				WEIGHT	0.000000
ANGLES ± -				CUSTOMER DRAWING	SCALE 1:1 SHEET 1 OF 1 REV C
FINISH					